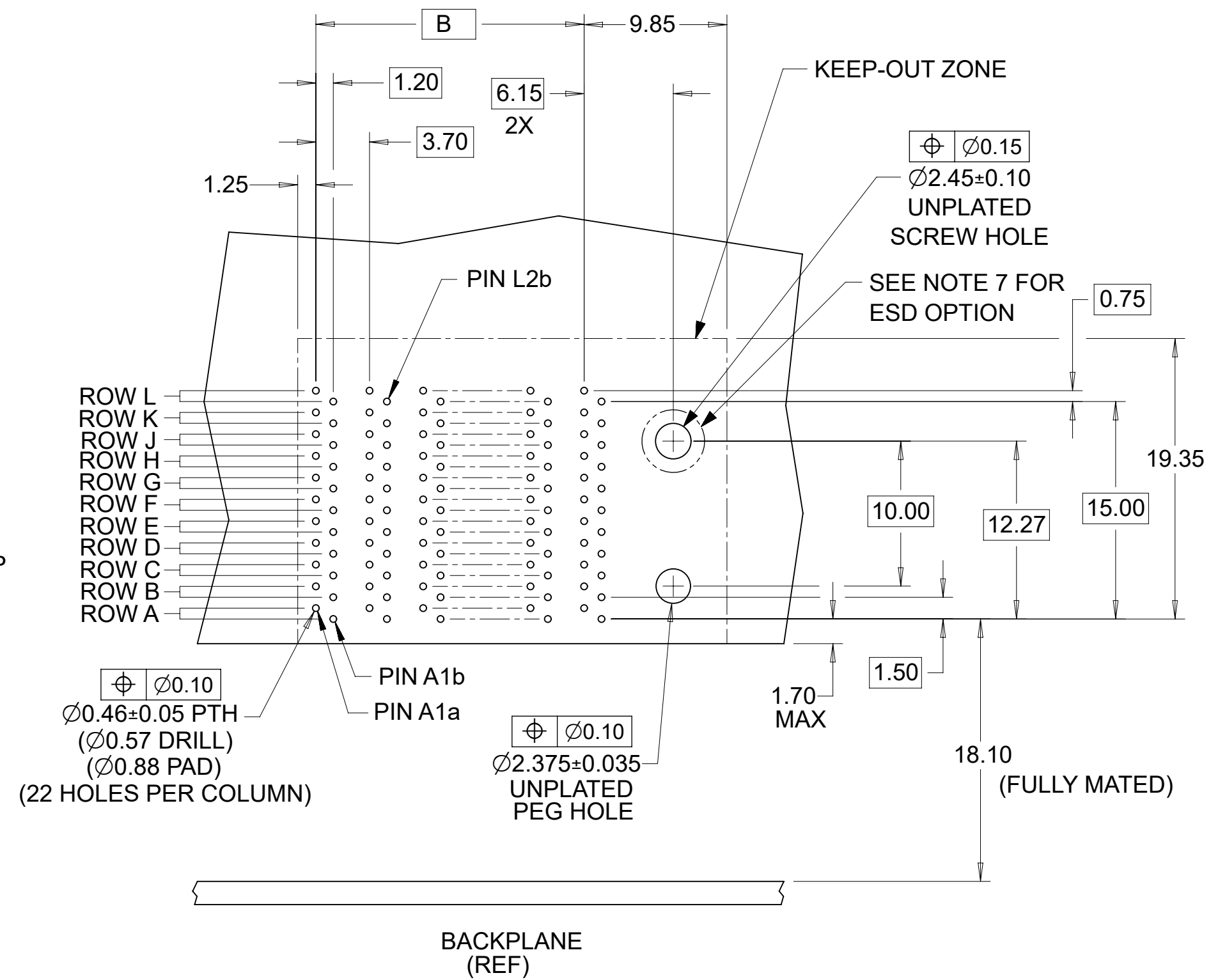
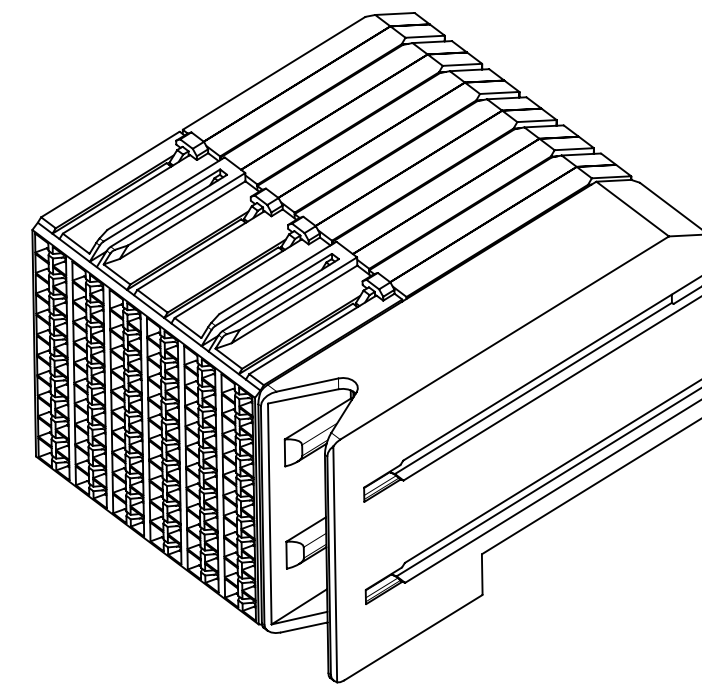
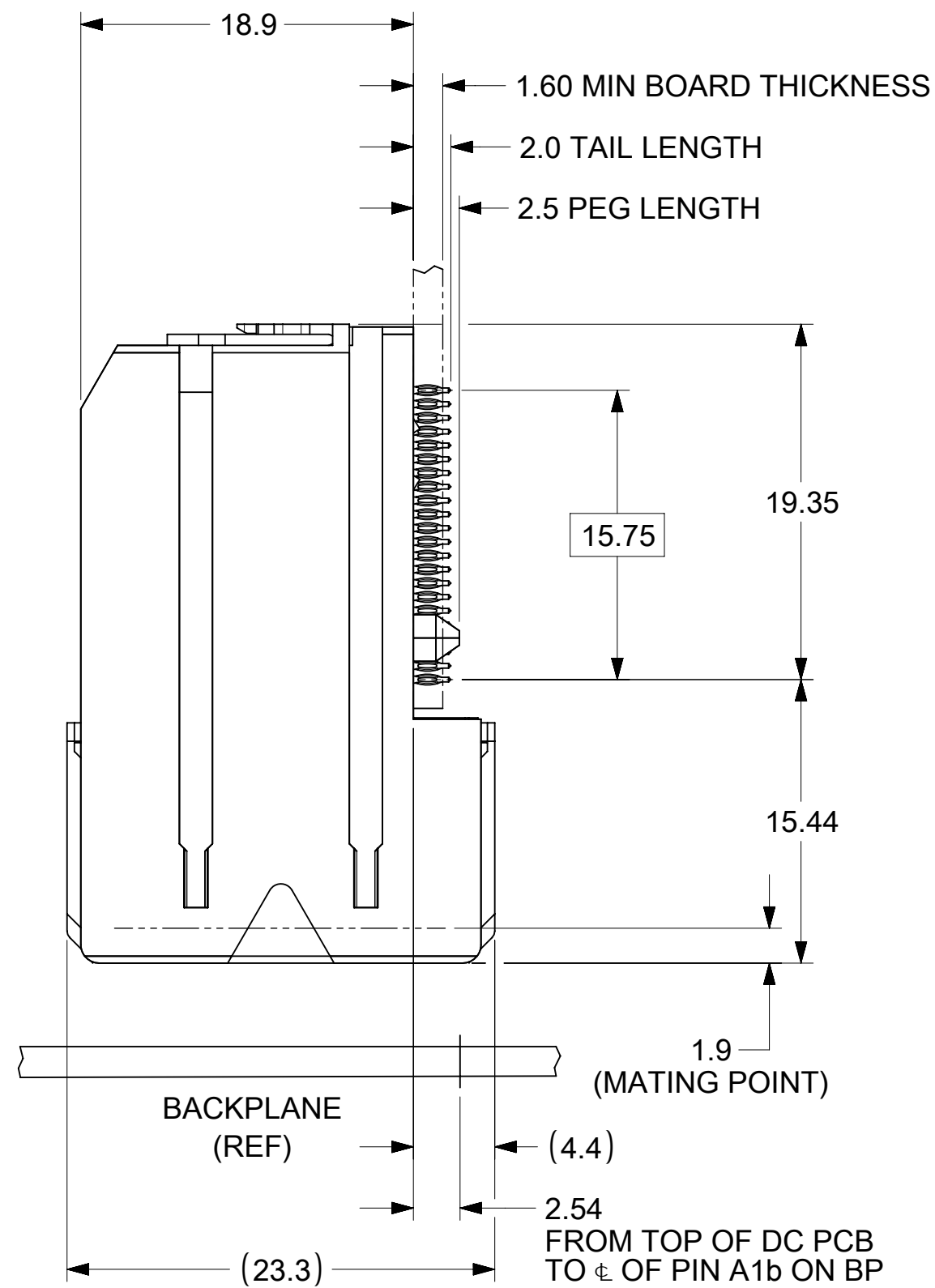


KEY SHOWN IN POSITION "B"



DAUGHTERCARD HOLE PATTERN (CONNECTOR SIDE)

NOTES:

1. MATERIALS: HOUSING - LIQUID CRYSTAL POLYMER (LCP) GLASS-FILLED, UL94V-0  
TERMINALS - HIGH PERFORMANCE COPPER ALLOY
2. FINISH: SELECTIVE GOLD IN CONTACT AREA.  
SLECTIVE MATTE TIN ON PCB TAILS. NICKEL OVERALL
3. REFER TO MOLEX PRODUCT SPECIFICATION PS-75710-999 FOR PERFORMANCE SPECS.
4. PRODUCT IS PACKAGED PER PK-70873-609.
5. THIS PART CONFORMS TO CLASS B REQUIREMENTS OF COSMETIC SPEC PS-45499-002.
6. GUIDED PARTS TO BE SHIPPED WITH 2-32 TYPE AB  
SELF-TAPPING SCREW P/N 73726-0000.
7. FOR GROUNDED GUIDE MODULES USE DIA 2.45+/-0.10 (PTH), DIA 2.58 (DRILL).  
AND DIA 4.50 (PAD)
8. MAPS (MOLEX ADVANCED PLATING SYSTEM)

THIS DRAWING CONTAINS INFORMATION THAT IS PROPRIETARY TO MOLEX ELECTRONIC TECHNOLOGIES, LLC AND SHOULD NOT BE USED WITHOUT WRITTEN PERMISSION

DIMENSION UNITS	SCALE	CURRENT REV DESC:	molex					
mm	NTS	REMASTERED TO NX	I-TRAC DAUGHTERCARD					
GENERAL TOLERANCES (UNLESS SPECIFIED)			11 ROW SIGNAL MODULE GUIDE RIGHT SALES DWG					
ANGULAR TOL	± 0.5°	EC NO: 671119	PRODUCT CUSTOMER DRAWING					
4 PLACES	±	DRWN: YOGEEB	2021/06/28	DOCUMENT NUMBER		DOC TYPE	DOC PART	REVISION
3 PLACES	±	CHK'D: VINODM3	2022/01/31	SD-75710-004		PSD	001	E1
2 PLACES	± 0.13	APPR: CWANG25	2022/02/18	MATERIAL NUMBER		CUSTOMER		
1 PLACE	± 0.25	INITIAL REVISION:	2006/06/19		SEE TABLE		GENERAL MARKET	
0 PLACES	±	DRWN: MCARRANZA	2006/06/21		SERIES		SHEET NUMBER	
DRAFT WHERE APPLICABLE MUST REMAIN WITHIN DIMENSIONS		THIRD ANGLE PROJECTION	DRAWING	SERIES	MATERIAL NUMBER		CUSTOMER	
			C-SIZE	75710	SEE TABLE		GENERAL MARKET	
					SEE TABLE		GENERAL MARKET	
					SEE TABLE		GENERAL MARKET	

# 75710- \* \* \* \*

MODULE TYPE -- TAIL PLATING TYPE  
 GUIDE RIGHT -- MATTE TIN (FORMERLY TIN/LEAD) = 4  
 GUIDE RIGHT -- MATTE TIN = 5

POLARIZATION KEY ORIENTATION  
 0 = NO KEY  
 1 = A    5 = E  
 2 = B    6 = F  
 3 = C    7 = G  
 4 = D    8 = H

# OF COLUMNS/PLATING  
 05 = 5 COL 30 GOLD  
 06 = 6 COL 30 GOLD  
 08 = 8 COL 30 GOLD  
 10 = 10 COL 30 GOLD  
 55 = 5 COL W/ESD 30 GOLD  
 56 = 6 COL W/ESD 30 GOLD  
 58 = 8 COL W/ESD 30 GOLD  
 50 = 10 COL W/ESD 30 GOLD  
 25 = 5 COL 10 GOLD (MAPS)  
 26 = 6 COL 10 GOLD (MAPS)  
 28 = 8 COL 10 GOLD (MAPS)  
 20 = 10 COL 10 GOLD (MAPS)  
 65 = 5 COL W/ESD 10 GOLD (MAPS)  
 66 = 6 COL W/ESD 10 GOLD (MAPS)  
 68 = 8 COL W/ESD 10 GOLD (MAPS)  
 60 = 10 COL W/ESD 10 GOLD (MAPS)

MATERIAL NUMBER	# OF COLUMNS	DIM "A" MAX	DIM "B"
75710-***5	5	25.90	14.80
75710-***6	6	29.60	18.50
75710-***8	8	37.00	25.90
75710-***0	10	44.40	33.30

THIS DRAWING CONTAINS INFORMATION THAT IS PROPRIETARY TO MOLEX ELECTRONIC TECHNOLOGIES, LLC AND SHOULD NOT BE USED WITHOUT WRITTEN PERMISSION										
DIMENSION UNITS	SCALE	CURRENT REV DESC: REMASTERED TO NX				<b>molex</b>				
mm	NTS									
GENERAL TOLERANCES (UNLESS SPECIFIED)						I-TRAC DAUGHTERCARD 11 ROW SIGNAL MODULE GUIDE RIGHT SALES DWG				
ANGULAR TOL	± 0.5°	EC NO: 671119				PRODUCT CUSTOMER DRAWING				
4 PLACES	±	DRWN: YOGEEB		2021/06/28						
3 PLACES	±	CHK'D: VINODM3		2022/01/31						
2 PLACES	± 0.13	APPR: CWANG25		2022/02/18						
1 PLACE	± 0.25	INITIAL REVISION:				DOCUMENT NUMBER				
0 PLACES	±	DRWN: MCARRANZA		2006/06/19		SD-75710-004		DOC TYPE	DOC PART	REVISION
DRAFT WHERE APPLICABLE MUST REMAIN WITHIN DIMENSIONS		THIRD ANGLE PROJECTION		DRAWING	SERIES	MATERIAL NUMBER	CUSTOMER	SHEET NUMBER		
				C-SIZE	75710	SEE TABLE	GENERAL MARKET	2 OF 2		