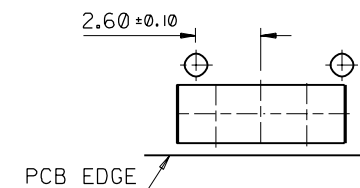
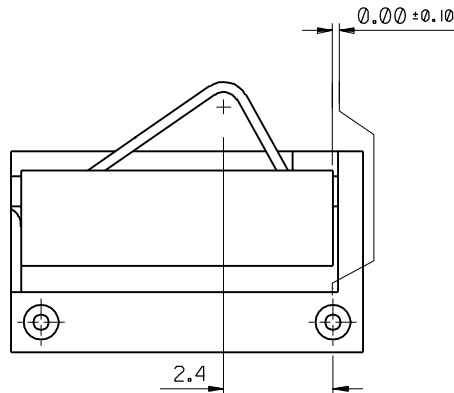
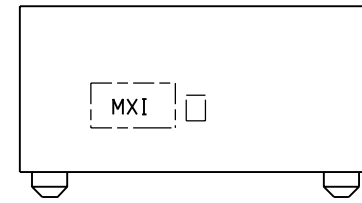
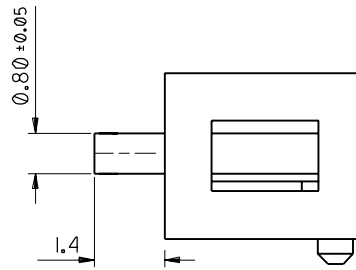
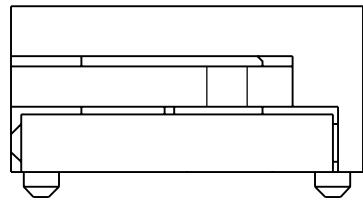
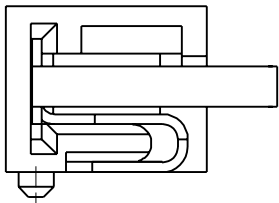


PART NO. 90868-0003
 DWG. NO. SDA-90868E



RECOMMENDED PCB THICKNESS: 1.2
 RECOMMENDED PCB LAYOUT

NOTES:

- FOR ALL UNSTATED DIMENSIONS SEE SHEET 1.
- MATERIALS:
 HOUSING: 30% G.F. PA 46, COLOUR BLACK.
 CONTACT: 0.20 REF. BERYLLIUM COPPER.
- PLATING: NICKEL 1.27µm MIN. UNDERCOAT OVERALL.
 GOLD FLASH 0.10µm MIN. OVER PALLADIUM-NICKEL 1.0µm MIN. IN CONTACT AREA.
- PACKAGING: TAPE AND REEL (EMBOSSSED TAPE), SEE SDA-90868-0001.
- SEE PRODUCT SPECIFICATION PS-99020-0041.
- MXI AND CAVITY I.D. RAISED IN THESE AREAS MAX 0.1 TEXT HEIGHT MAX 1.5

FOR PREVIOUS DRAWING ISSUES SEE MRI.

| | | | | | | | | | | | | |
|-------------|--------------------|--------------------------------------|---|-------|------------------------------------|--|--|--|----------------------------|-----------|---------------------------|------------------|
| EC NO. D | DESCRIPTION REV | QUALITY SYMBOLS MAJOR CRITICAL | GENERAL TOLERANCES: (UNLESS SPECIFIED) | | SCALE 10:1 | DESIGN UNITS <input checked="" type="checkbox"/> mm <input type="checkbox"/> INCH | THIRD ANGLE PROJECTION <input checked="" type="checkbox"/> <input type="checkbox"/> | DIMENSIONS: <input type="checkbox"/> mm <input type="checkbox"/> INCH <input checked="" type="checkbox"/> mm ONLY | | SHT | REV | |
| | | | mm | INCH | DRAWN BY & DATE PMCAID 26.05.99 | TITLE: ONE CIRCUIT BATTERY CONNECTOR | | | | | | |
| | | | 4 PLACES | ±0. | ±. | CHECKED BY & DATE CCONLON 18.08.99 | APPROVED BY & DATE MWILHITE 18.08.99 | | MATERIAL NO. 90868-0003 | | DRAWING NO. SDA-90868E | SHEET NO. 20F |
| | | | 3 PLACES | ±0. | ±. | CAD FILENAME | MOLEX MOLEX INCORPORATED | | | | | |
| | | | 2 PLACES | ±0.10 | ±. | DRAFT WHERE APPLICABLE MUST REMAIN WITHIN DIMENSIONS | | THIS DRAWING CONTAINS INFORMATION THAT IS PROPRIETARY TO MOLEX INCORPORATED AND SHOULD NOT BE USED WITHOUT WRITTEN PERMISSION. | | SIZE B | | |
| | | | 1 PLACE | ±0.20 | ±. | | | | | | | |
| | | | ANGULAR: ± 1° | | | | | | | | | |