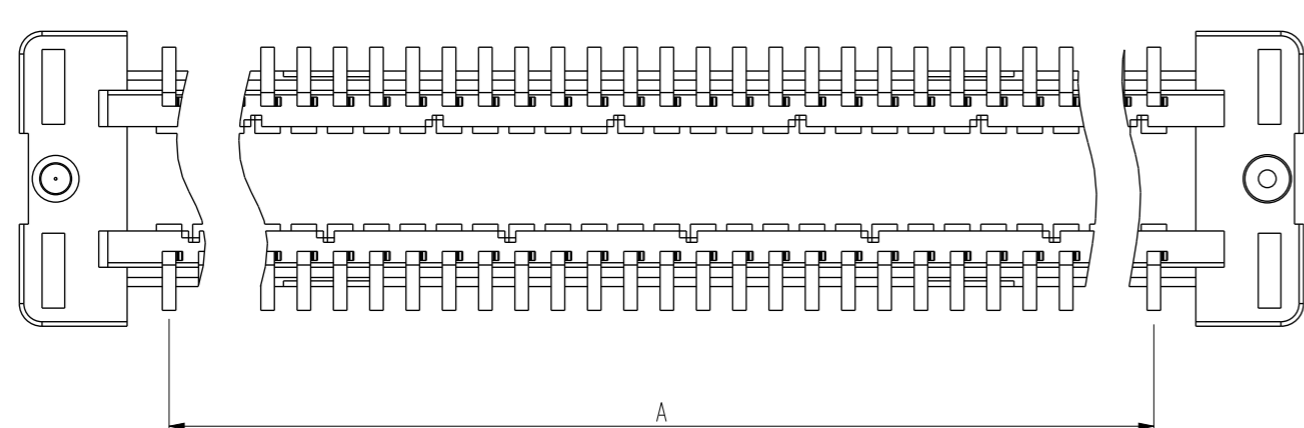
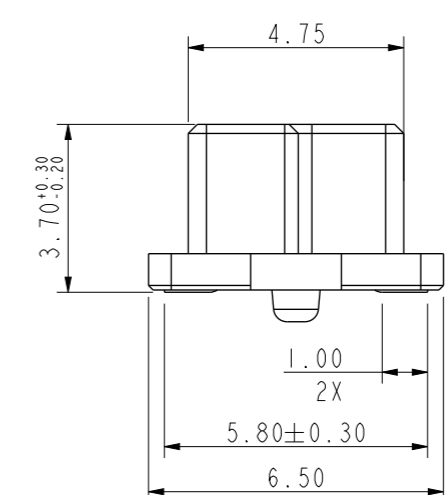
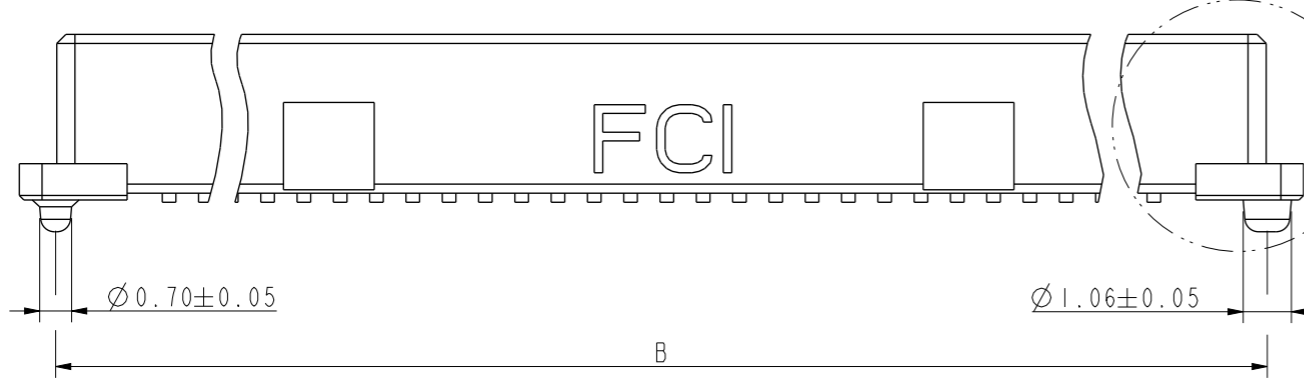
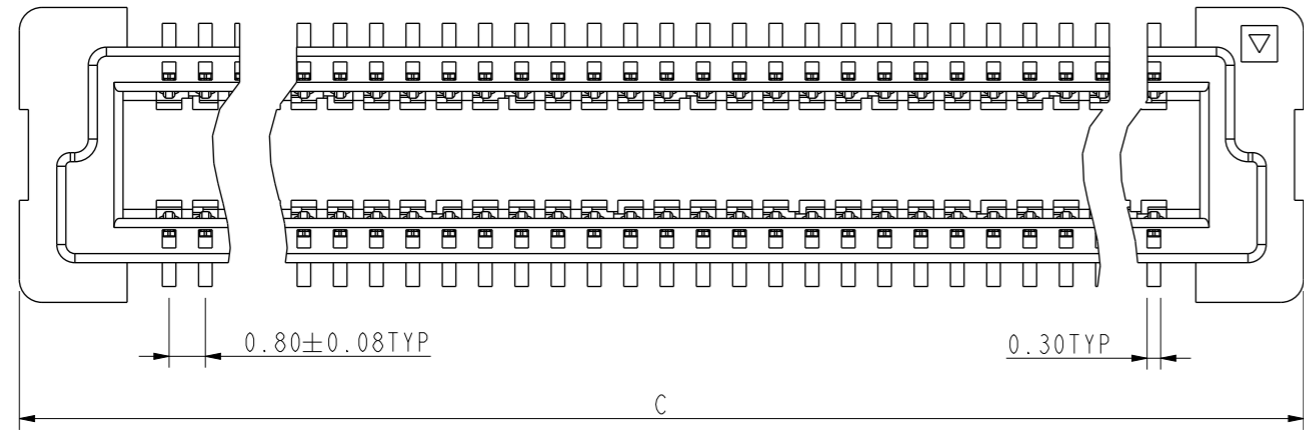
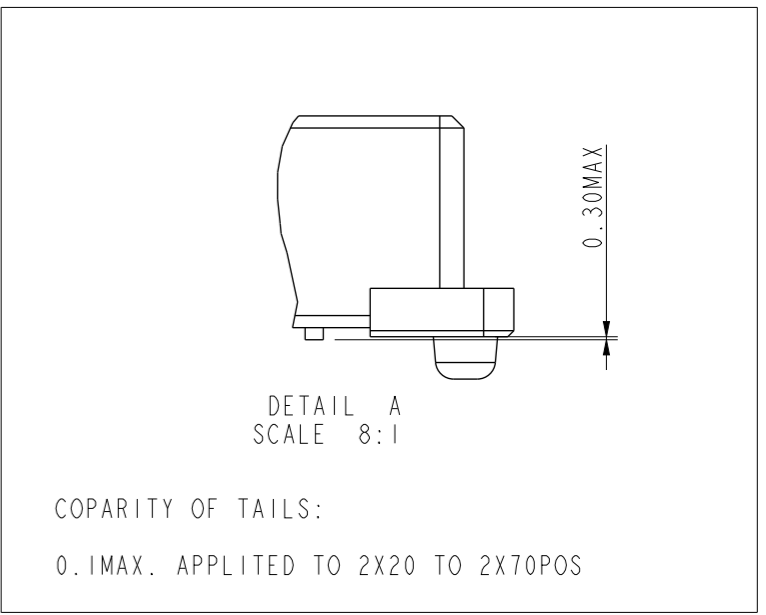


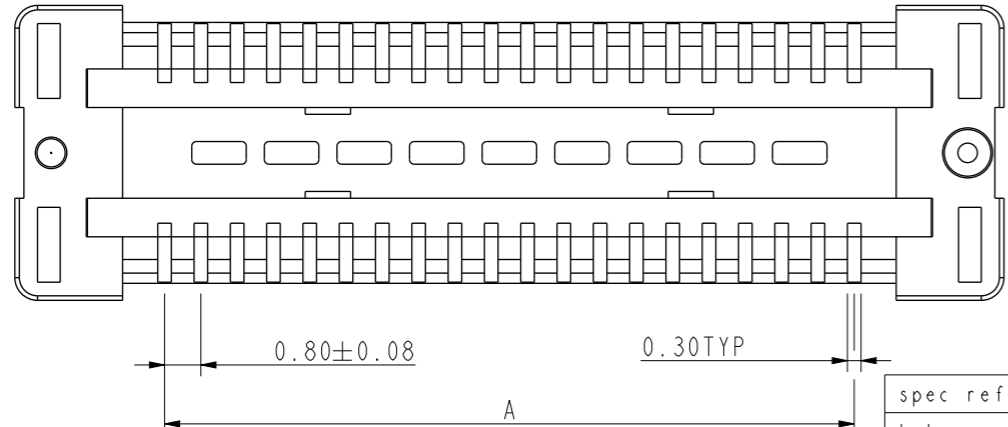
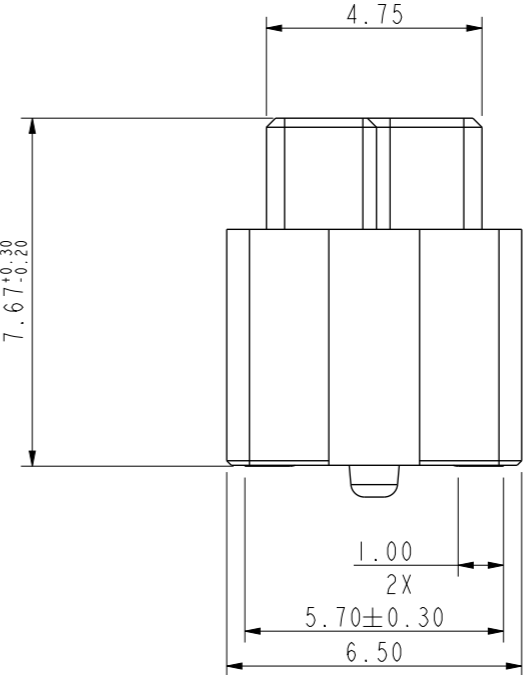
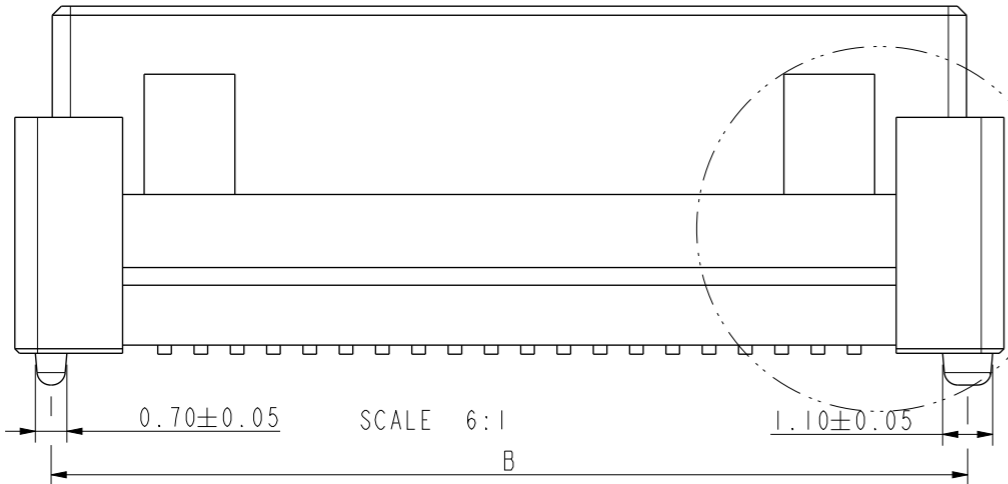
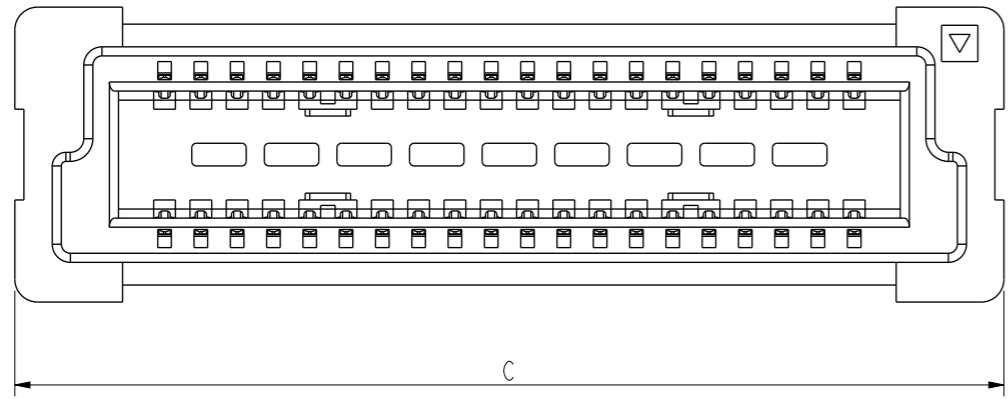
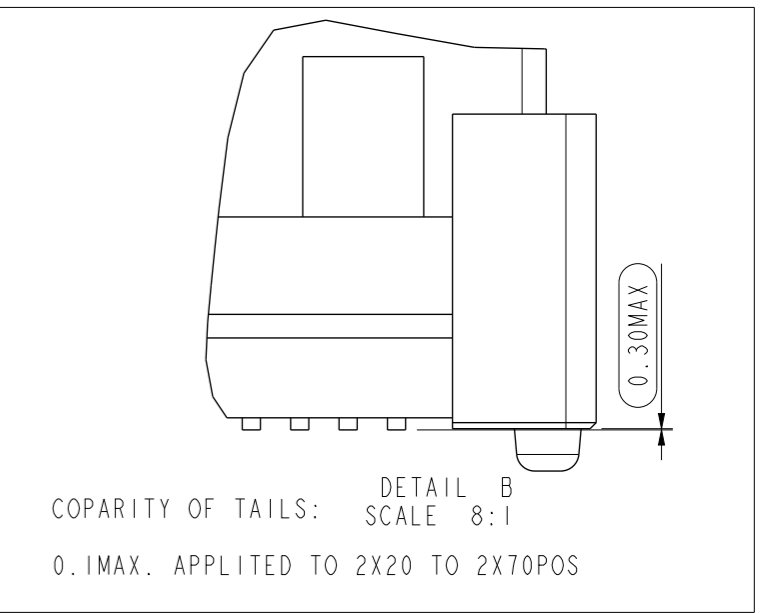
PRODUCT NO.	NO. OF POSITION	DEMENSION		
		A	B	C
10147613-041*0**LF	2X20	15.20	20.20	21.80
10147613-061*0**LF	2X30	23.20	28.20	29.80
10147613-081*0**LF	2X40	31.20	36.20	37.80
10147613-101*0**LF	2X50	39.20	44.20	45.80
10147613-121*0**LF	2X60	47.20	52.20	53.80
10147613-141*0**LF	2X70	55.20	60.20	61.80



BERGSTAK HS RECEPI

spec ref	-	dr	Bob Gu	2019/12/31	projection	mm	size	A3	scale	2:1	
tolerance std	ISO 406 ISO 1101	eng	Bob Gu	2020/03/19			ecn no	ELX-N-36220-1			
TOLERANCES UNLESS OTHERWISE SPECIFIED		chr	-	-			rel level	Released			
surface	linear	appr	Tim Yao	2020/03/25	product family		dwg no	10147613		rev	B
	angular				RECEPTACLE ASSEMBLY BERGSTAK HS 0.8MM		cat. no.		Product - Customer Drw	sheet 2 of 4	

PRODUCT NO.	NO. OF POSITION	DEMENSION		
		A	B	C
10147613-042*0**LF	2X20	15.20	20.20	21.80
10147613-062*0**LF	2X30	23.20	28.20	29.80
10147613-082*0**LF	2X40	31.20	36.20	37.80
10147613-102*0**LF	2X50	39.20	44.20	45.80
10147613-122*0**LF	2X60	47.20	52.20	53.80
10147613-142*0**LF	2X70	55.20	60.20	61.80

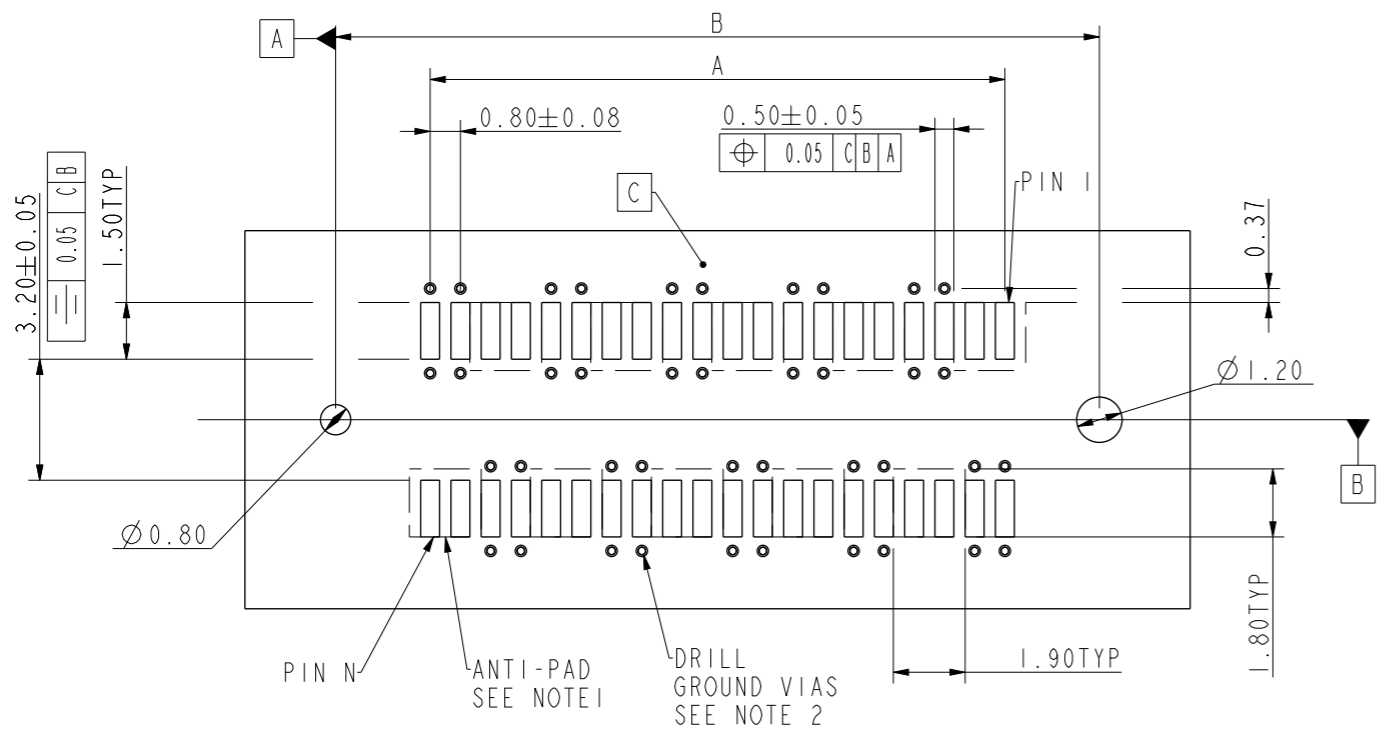


spec ref	-	dr	Bob Gu	2019/12/31
tolerance std	ISO 406 ISO 1101	eng	Bob Gu	2020/03/19
	TOLERANCES UNLESS OTHERWISE SPECIFIED	chr	-	-
		appr	Tim Yao	2020/03/25
surface	linear	0.X	±0.3	
		0.XX	±0.15	
		0.XXX	±0.08	
	angular	0°	±2°	

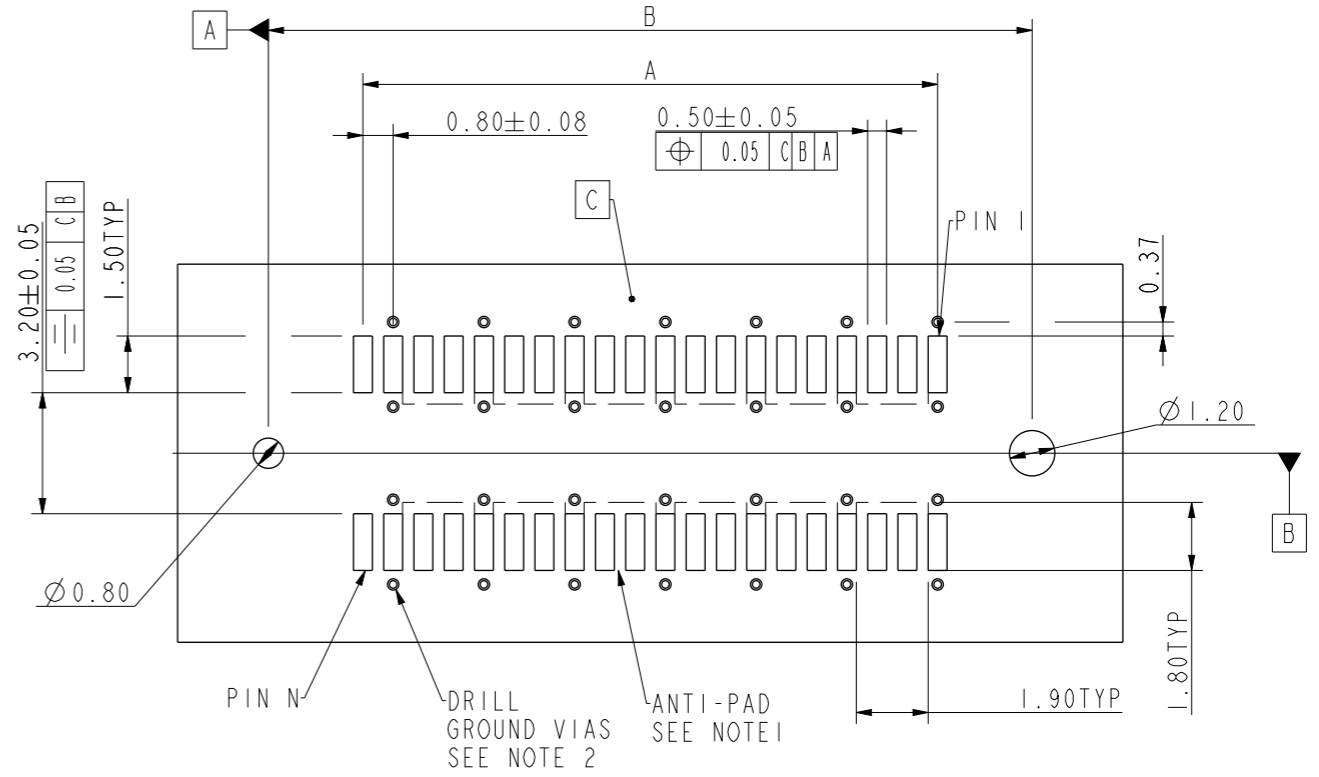
projection		mm		size	A3	scale	2:1
product family		BERGSTAK HS RECEP2		ecn no	ELX-N-36220-1		
rel level		Released		rel level	Released		
Amphenol FCI	RECEPTACLE ASSEMBLY	dwg no	10147613		rev	B	
ISO 1302	BERGSTAK HS 0.8MM	cat. no.	Product - Customer Drw		sheet 3 of 4		

Amphenol FCI

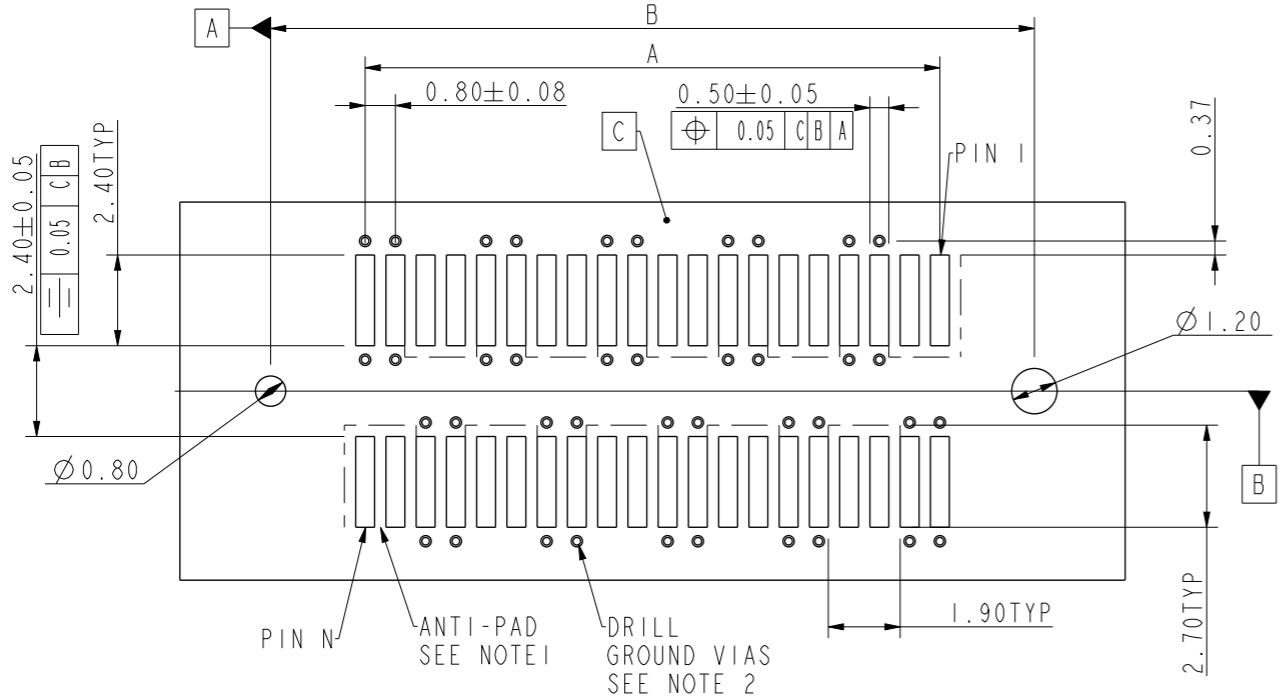
© 2016 AFCI



DOUBLE GROUND PATTERN
RECOMMENDED HS PCB LAYOUT



SIGLE GROUND PATTERN
RECOMMENDED HS PCB LAYOUT



DOUBLE GROUND PATTERN
RECOMMENDED STD PCB LAYOUT

PRODUCT NO.	NO. OF POSITION	DEMENSION	
		A	B
10147613-04**0**LF	2X20	15.20	20.20
10147613-06**0**LF	2X30	23.20	28.20
10147613-08**0**LF	2X40	31.20	36.20
10147613-10**0**LF	2X50	39.20	44.20
10147613-12**0**LF	2X60	47.20	52.20
10147613-14**0**LF	2X70	55.20	60.20

NOTE:

- FOR HS PCB, THE RECOMMENDED VOID SIZE IS 1.9MMx1.8MM;
FOR STD PCB, THE RECOMMENDED VOID SIZE IS 1.9MMx2.7MM;
- THE GROUND VIAS ARE REQUIRED TO ADD TO BOTH SIDES OF GROUND PAD, THE DISTANCE FROM VIA CENTER TO THE PAD EDGE IS RECOMMENDED TO BE 0.37MM.

spec ref	-	dr	Bob Gu	2019/12/31	projection	mm	size	A3	scale	5:1
tolerance std	ISO 406 ISO 1101	eng	Bob Gu	2020/03/19			ecn no	ELX-N-36220-1		
TOLERANCES UNLESS OTHERWISE SPECIFIED		chr	-	-			rel level	Released		
surface	linear	appr	Tim Yao	2020/03/25	product family	RECEPTACLE ASSEMBLY		dwg no	10147613	
	angular					BERGSTAK HS 0.8MM		rev	B	
ISO 1302	0.X ±0.3 0.XX ±0.15 0.XXX ±0.08	cat. no.	Product - Customer Drw			sheet 4 of 4				