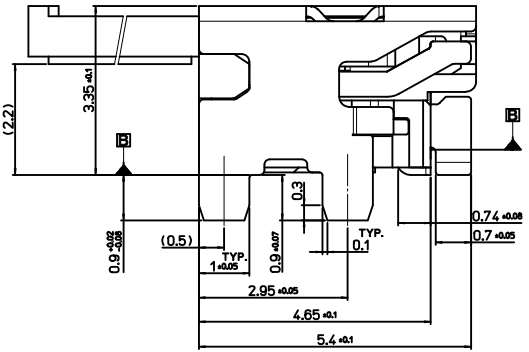
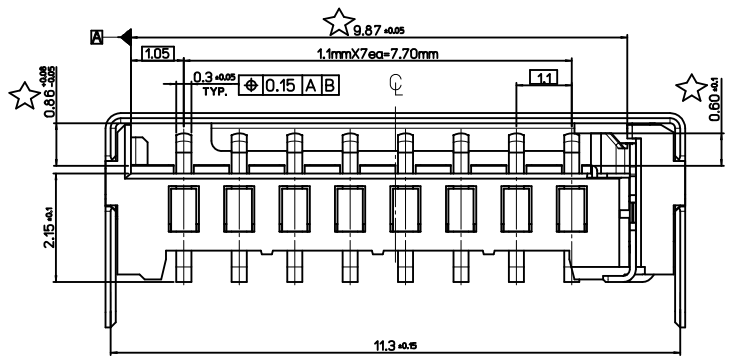
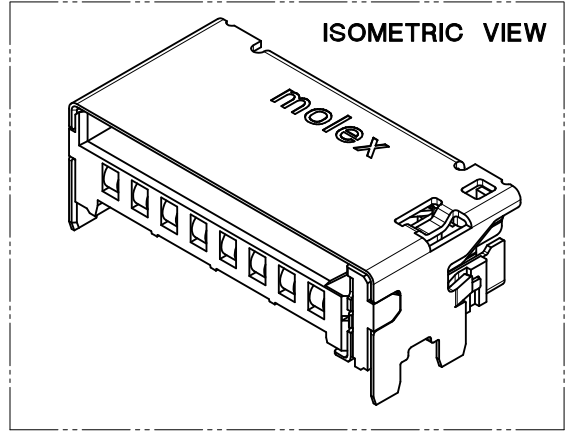
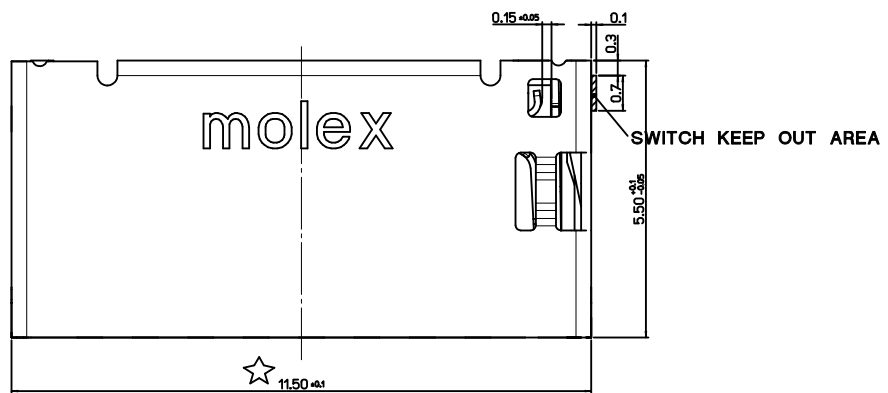
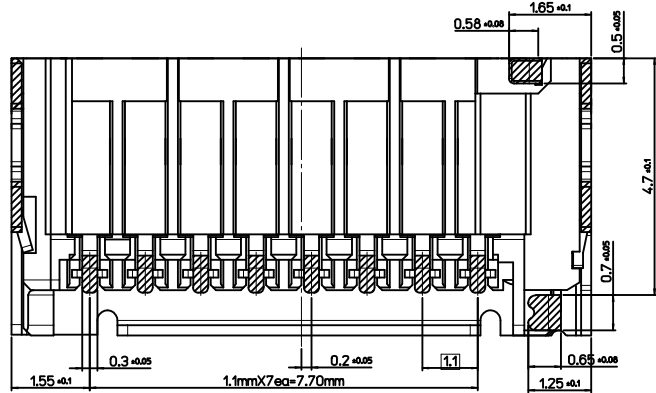


10 9 8 7 6 5 4 3 2 1



**NOTES**

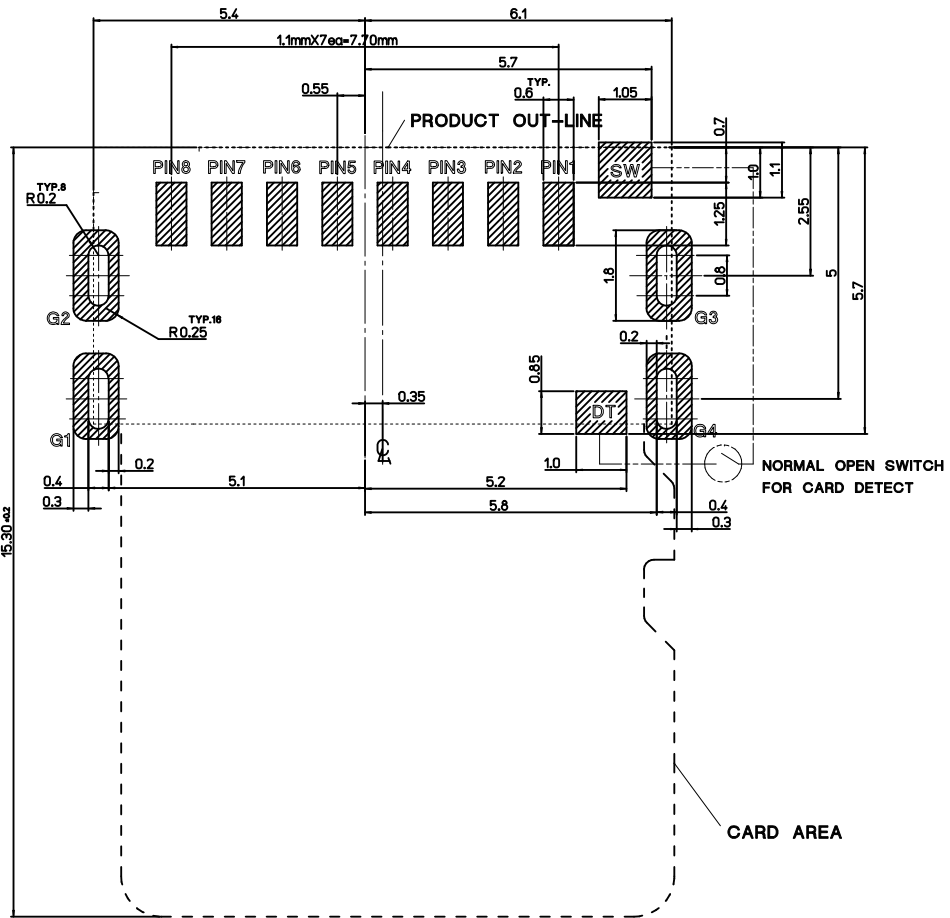
1. MATERIALS:
  - 1-1. HOUSING : HIGH TEMPERATURE THERMOPLASTIC,UL 94V-0,BLACK
  - 1-2. CONTACT TERL & SWITCH TERL & DETECT TER : PHOS-BRONZE
  - 1-3. METAL SHELL : STAINLESS STEEL
2. FINISHES:
  - 2-1. CONTACT TERL : 1.25-5.5 MICRON NICKEL UNDER-PLATED  
MIN. 0.2 MICRON GOLD ON CONTACT AREA,  
MIN. 0.05 MICRON GOLD ON SOLDER AREA
  - 2-2. METAL SHELL: 1.25-3.0 MICRON NICKEL OVERALL
  - 3-3. DETECT TERL : 1.25-5.5 MICRON NICKEL UNDER-PLATED  
MIN.0.1 MICRON GOLD ON CONTACT AREA,  
MIN. 0.05 MICRON GOLD ON OTHER AREA.
  - 3-4. SWITCH TERL : 1.25-5.5 MICRON NICKEL UNDER-PLATED  
MIN. 0.1 MICRON GOLD MIN ON CONTACT AREA,  
MIN. 0.05 MICRON GOLD ON OTHER AREA
3. PRODUCT SPECIFICATION : RPS-104070 -001
4. COPLANARITY OF SOLDER TAILS : 0.08mm MAX.(BEFORE & AFTER REFLOW)  
MISALIGNMENT OF SOLDER TAIL FROM 'B'  
UPPER DIRECTION 0.05 MAX., LOWER DIRECTION 0.1MAX.
5. PACKAGING SPECIFICATION : RPK-104070 -001
6. ☆ IS SAMSUNG'S CTO DIMENSION EQUAL TO MOLEX MAJOR QUALITY SYMBOLS'



1040700811	104070-0811
MATERIAL NO.	ORDER NO.

NEW RELEASED EC NO: KOR2011-0052 DRWN:HYOU 2010/11/26 CHKD:YSOOKIM 2010/11/26 APPR:YUNSIKKIM 2010/11/26	QUALITY SYMBOLS ▽=0 ◻=0	GENERAL TOLERANCES (UNLESS SPECIFIED)		DIMENSION STYLE	SCALE	DESIGN UNITS	THIRD ANGLE PROJECTION	
				MM ONLY	10:1	METRIC		
				DRAWN BY	DATE	TITLE		
				S.H.CHU	2009/11/25	MICROSD HEADER T-3.35, PUSH PULL TYPE, W-DT 4-DIP		
		APPROVED BY		DATE	MOLEX MOLEX INCORPORATED			
		Y.SOO.KIM		2009/11/25	DOCUMENT NO. RSD-104070-001			
		MATERIAL NO.		SEE TABLE			SHEET NO. 1 OF 3	
		DRAFT WHERE APPLICABLE MUST REMAIN WITHIN DIMENSIONS		THIS DRAWING CONTAINS INFORMATION THAT IS PROPRIETARY TO MOLEX INCORPORATED AND SHOULD NOT BE USED WITHOUT WRITTEN PERMISSION				

9 8 7 6 5 4 3 2 1

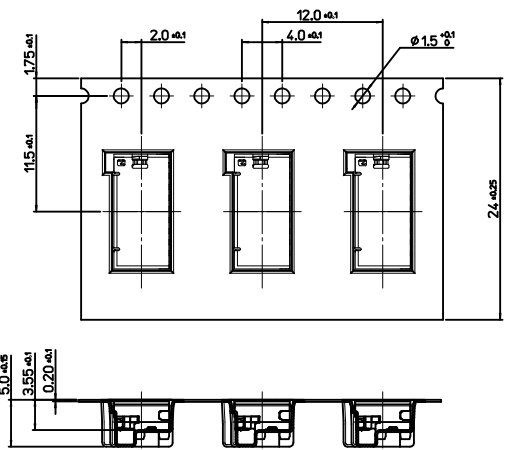
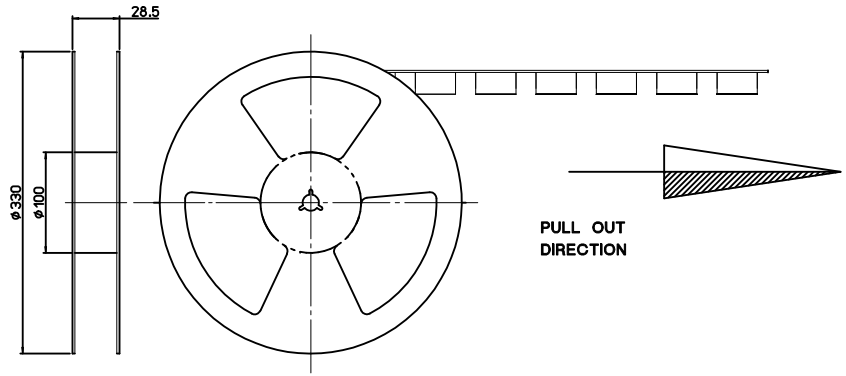


PIN NUMBER	DESCRIPTION
P1	DAT2
P2	CD/DAT3
P3	CMD
P4	VDD
P5	CLK
P6	VSS
P7	DAT0
P8	DAT1
G1	GND
G2	GND
G3	GND
G4	GND
DT	DET
SW	SWT

**RECOMMENDED PCB PATTERN LAYOUT**

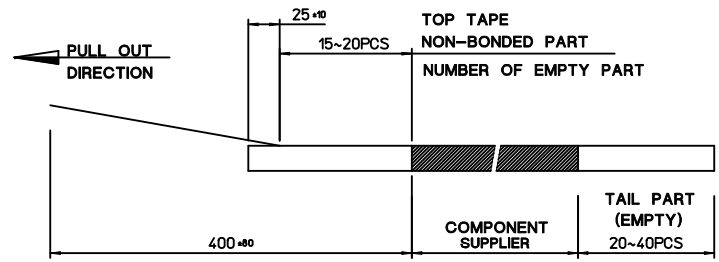
TOLERANCE : ±0.05

<b>NEW RELEASED</b> IEC NO: KOR2011-0052 DRWN: HYOU 2010/11/26 CHKD: YSOOKIM 2010/11/26 APPR: YUNSIKKIM 2010/11/26 REV A	QUALITY SYMBOLS ▽=0 ◻=0	GENERAL TOLERANCES (UNLESS SPECIFIED) <table border="1"> <thead> <tr> <th></th> <th>mm</th> <th>INCH</th> </tr> </thead> <tbody> <tr> <td>4 PLACES</td> <td>± ---</td> <td>± ---</td> </tr> <tr> <td>3 PLACES</td> <td>± ---</td> <td>± ---</td> </tr> <tr> <td>2 PLACES</td> <td>± 0.10</td> <td>± ---</td> </tr> <tr> <td>1 PLACE</td> <td>± 0.15</td> <td>± ---</td> </tr> </tbody> </table>		mm	INCH	4 PLACES	± ---	± ---	3 PLACES	± ---	± ---	2 PLACES	± 0.10	± ---	1 PLACE	± 0.15	± ---	DIMENSION STYLE <b>MM ONLY</b>	SCALE <b>10:1</b>	DESIGN UNITS <b>METRIC</b>	THIRD ANGLE PROJECTION
		mm	INCH																		
	4 PLACES	± ---	± ---																		
	3 PLACES	± ---	± ---																		
2 PLACES	± 0.10	± ---																			
1 PLACE	± 0.15	± ---																			
		DRAWN BY DATE S.H.CHU 2009/11/25	TITLE <b>MICROSD HEADER T-3.35, PUSH PULL TYPE, W-DT 4-DIP</b>																		
		CHECKED BY DATE Y.SOO.KIM 2009/11/25	MOLEX INCORPORATED																		
	DRAFT WHERE APPLICABLE MUST REMAIN WITHIN DIMENSIONS	APPROVED BY DATE Y.SOO.KIM 2009/11/25	ENTER PART		DOCUMENT NO. <b>RSD-104070-001</b>	SHEET NO. <b>2 OF 3</b>															

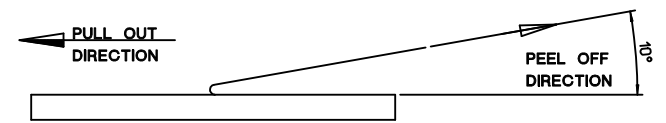


**NOTES**

- 1. QUANTITY OF CONNECTORS : 1,000PCS/REEL
- 2. LEAD LENGTH



- 3. PEELING OFF FORCE OF COVER TAPE : 0.1N~0.59N(10.2GF~60GF)  
(PEELING DIRECTION AS SHOW IN FOLLOW FIG.)  
- PEELING OFF SPEED : 300mm/Min.(Ref.)



NEW RELEASED  
 EC NO: KOR2011-0052  
 DRWN:HYOU 2010/11/26  
 CHKD:YSOOKIM 2010/11/26  
 APPR:YUNSIKKIM 2010/11/26

REV	DESCRIPTION
A	

QUALITY SYMBOLS	= 0
	= 0.05
GENERAL TOLERANCES (UNLESS SPECIFIED)	4 PLACES ± --- ± ---
	3 PLACES ± --- ± ---
	2 PLACES ± 0.15 ± ---
	1 PLACE ± 0.25 ± ---
	ANGULAR ± 1 °
DRAFT WHERE APPLICABLE MUST REMAIN WITHIN DIMENSIONS	

DIMENSION STYLE MM ONLY	
DRAWN BY S.H.CHU	DATE 2009/11/25
CHECKED BY	DATE
APPROVED BY Y.SOO.KIM	DATE 2009/11/25
MATERIAL NO. ENTER PART	

SCALE 10:1	DESIGN UNITS METRIC	THIRD ANGLE PROJECTION
TITLE MICROSD HEADER T-3.35, PUSH PULL TYPE, W-DT 4-DIP		
MOLEX INCORPORATED		
DOCUMENT NO. RSD-104070-001	SHEET NO. 3 OF 3	
THIS DRAWING CONTAINS INFORMATION THAT IS PROPRIETARY TO MOLEX INCORPORATED AND SHOULD NOT BE USED WITHOUT WRITTEN PERMISSION		