

Horizontal Test Jack Insulated Miniature

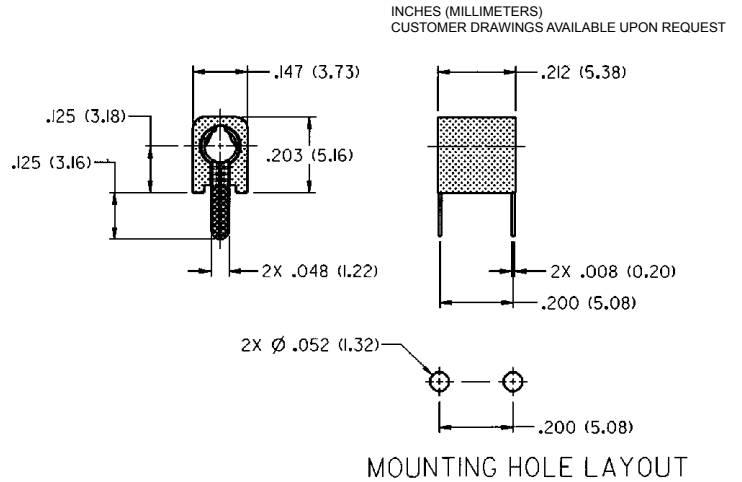


SPECIFICATIONS

Contact: Copper aluminum alloy*
Finish: Silver
Body: Nylon 6/6 per ASTM D4066

RATINGS

Current: 5 amps
Breakdown Voltage: 2100 Vrms minimum
Contact Resistance: 0.010 ohms maximum
Adjacent Jack C: 1 pF maximum at 1 MHz



SILVER PLATING	
PART NO.	COLOR
105-1103-001	Black

For Standard Tip Plug: .080 (2.00) Diameter

FEATURES:

- Contact protected from flux and solder
 - Probe access from both ends
 - Nylon UL approved for self extinguishing
- * A new material development that, for this application, meets or exceeds beryllium copper.