

FEMALE FACE VIEW		
3-POLE	4-POLE	5-POLE
1 BROWN 3 BLUE 4 BLACK	1 BROWN 2 WHITE 3 BLUE 4 BLACK	1 BROWN 2 WHITE 3 BLUE 4 BLACK 5 GREY

403001A10M020

No Pole
3-5 Pole

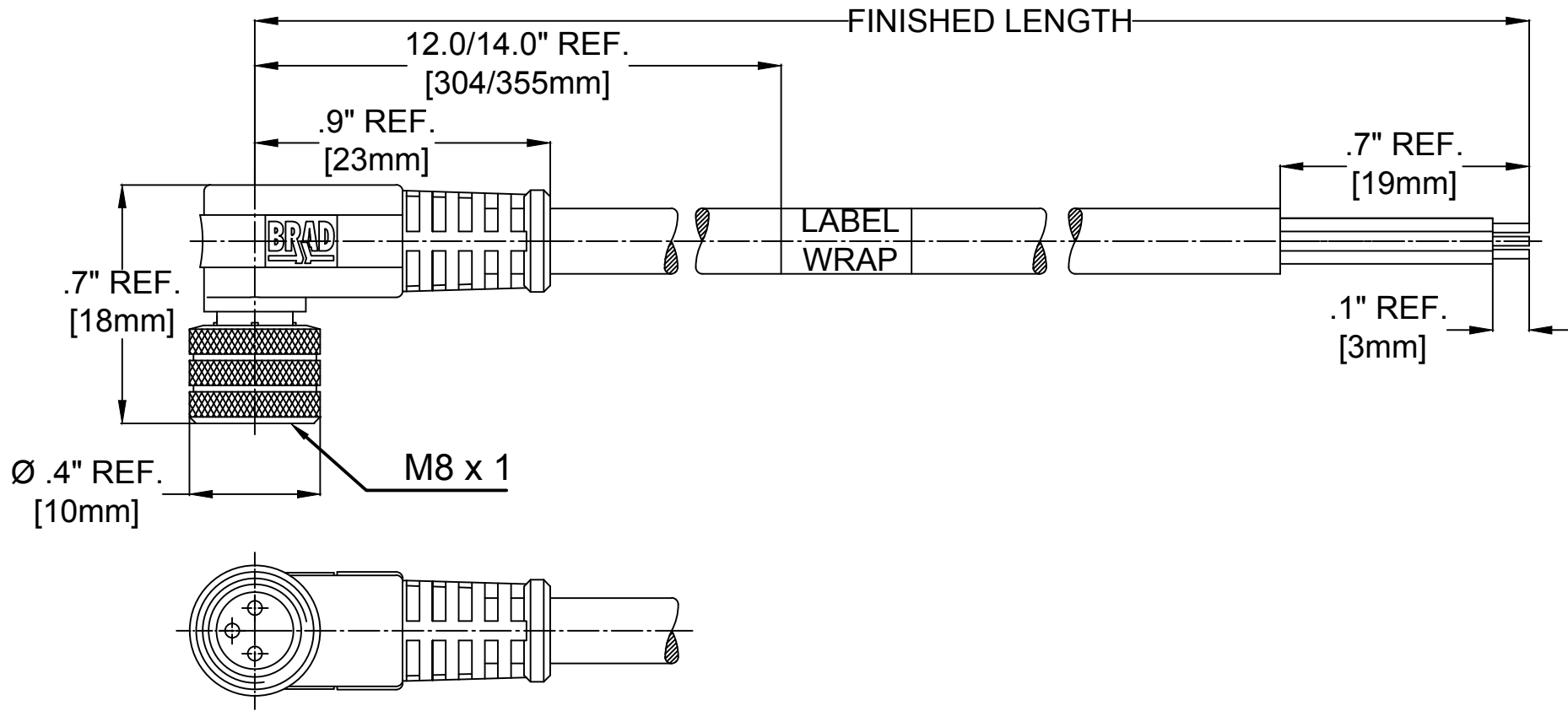
cable type
#24/3-5
PVC YELLOW

cable length
020----2 Meters
100----10 Meters

MATERIAL NUMBER	ENGINEERING NUMBER	FINISHED LENGTH IN/MM
1200860119	403001A10M020	6.56' +3.50" -0 [2.0M +88.9 -0]
1200860122	403001A10M050	16.40' +6.50" -0 [5.0M +165.1 -0]
1200860124	403001A10M100	32.81' +12.50" -0 [10.0M +317.5 -0]
1200860175	404001A10M020	6.56' +3.50" -0 [2.0M +88.9 -0]
1200860178	404001A10M050	16.40' +6.50" -0 [5.0M +165.1 -0]
1200860180	404001A10M100	32.81' +12.50" -0 [10.0M +317.5 -0]
1200860200	405001A10M020	6.56' +3.50" -0 [2.0M +88.9 -0]
1200890092	405001A10M100	32.81' +12.50" -0 [10.0M +317.5 -0]

SPECIFICATION DATA		
COMPONENT	MATERIAL	FINISH
LABEL	MYLAR	BLACK/YELLOW
COUPLER	BRASS	NICKEL PLATED
CONTACT	COPPER ALLOY	Au OVER Ni
O-RING	VITON	RED
INSERT	PUR	BLACK
OVERMOLD	TPE	YELLOW
CABLE #24 /3-5	PVC	YELLOW
VOLTAGE RATING:	3-4POL:60V/AC 75V/DC 5-POL: 30V/AC 36V/DC	
AMPERAGE RATING:	3A	
PROTECTION CLASS:	IP 68	
OPERATING TEMPERATURE:	-20°C / 105°C	

UPDATED FOR PART NUMBER MATRIX EC NO: IPG2014-0989 DRWN: GGUSTAFS 11/27/13 CHKD: BARDEN APPR: BWOODMAN 2010/01/28 REV 2	QUALITY SYMBOLS ▽ = 0 ◁ = 0	GENERAL TOLERANCES (UNLESS SPECIFIED) mm INCH 4 PLACES ±--- ±--- 3 PLACES ±--- ±.005 2 PLACES ±.13 ±.010 1 PLACE ±.25 ±.020 ANGULAR ± .5 °	DIMENSION STYLE IN/MM DRAWN BY DATE RE 2010/01/20 CHECKED BY DATE FP 2010/01/20 APPROVED BY DATE NSTAUDIG 2010/01/28	SCALE NTS DESIGN UNITS INCH THIRD ANGLE PROJECTION	NC 3/4/5P FE 90 24AWG PVC --- MOLEX INCORPORATED DOCUMENT NO. SD-120086-026 SHEET NO. 1 OF 1	
	DRAFT WHERE APPLICABLE MUST REMAIN WITHIN DIMENSIONS		SEE TABLE	THIS DRAWING CONTAINS INFORMATION THAT IS PROPRIETARY TO MOLEX INCORPORATED AND SHOULD NOT BE USED WITHOUT WRITTEN PERMISSION		
	SIZE A3					



FEMALE FACE VIEW		
3-POLE	4-POLE	5-POLE
1 BROWN 3 BLUE 4 BLACK	1 BROWN 2 WHITE 3 BLUE 4 BLACK	1 BROWN 2 WHITE 3 BLUE 4 BLACK 5 GREY

403001A10M020

No Pole
3-5 Pole

cable type
#24/3-5
PVC YELLOW

cable length
020----2 Meters
100----10 Meters

MATERIAL NUMBER	ENGINEERING NUMBER	FINISHED LENGTH IN/MM
1200860119	403001A10M020	6.56' +3.50" -0 [2.0M +88.9 -0]
1200860122	403001A10M050	16.40' +6.50" -0 [5.0M +165.1 -0]
1200860124	403001A10M100	32.81' +12.50" -0 [10.0M +317.5 -0]
1200860175	404001A10M020	6.56' +3.50" -0 [2.0M +88.9 -0]
1200860178	404001A10M050	16.40' +6.50" -0 [5.0M +165.1 -0]
1200860180	404001A10M100	32.81' +12.50" -0 [10.0M +317.5 -0]
1200860200	405001A10M020	6.56' +3.50" -0 [2.0M +88.9 -0]
1200890092	405001A10M100	32.81' +12.50" -0 [10.0M +317.5 -0]

SPECIFICATION DATA		
COMPONENT	MATERIAL	FINISH
LABEL	MYLAR	BLACK/YELLOW
COUPLER	BRASS	NICKEL PLATED
CONTACT	COPPER ALLOY	Au OVER Ni
O-RING	VITON	RED
INSERT	PUR	BLACK
OVERMOLD	TPE	YELLOW
CABLE #24 /3-5	PVC	YELLOW
VOLTAGE RATING:	3-4POL:60V/AC 75V/DC 5-POL: 30V/AC 36V/DC	
AMPERAGE RATING:	3A	
PROTECTION CLASS:	IP 68	
OPERATING TEMPERATURE:	-20°C / 105°C	

UPDATED FOR PART NUMBER MATRIX EC NO: IPG2014-0989 DRWN: GGUSTAFS 11/27/13 CHKD: BARDEN APPR: BWOODMAN 2010/01/28 2	QUALITY SYMBOLS = 0 = 0	GENERAL TOLERANCES (UNLESS SPECIFIED) 4 PLACES ±--- ±--- 3 PLACES ±--- ±.005 2 PLACES ±.13 ±.010 1 PLACE ±.25 ±.020 ANGULAR ± .5 °	DIMENSION STYLE IN/MM DRAWN BY DATE RE 2010/01/20 CHECKED BY DATE FP 2010/01/20 APPROVED BY DATE NSTAUDIG 2010/01/28	SCALE NTS DESIGN UNITS INCH THIRD ANGLE PROJECTION	NC 3/4/5P FE 90 24AWG PVC --- MOLEX INCORPORATED DOCUMENT NO. SD-120086-026 SHEET NO. 1 OF 1	
	DRAFT WHERE APPLICABLE MUST REMAIN WITHIN DIMENSIONS		SEE TABLE	THIS DRAWING CONTAINS INFORMATION THAT IS PROPRIETARY TO MOLEX INCORPORATED AND SHOULD NOT BE USED WITHOUT WRITTEN PERMISSION		
			SIZE A3			