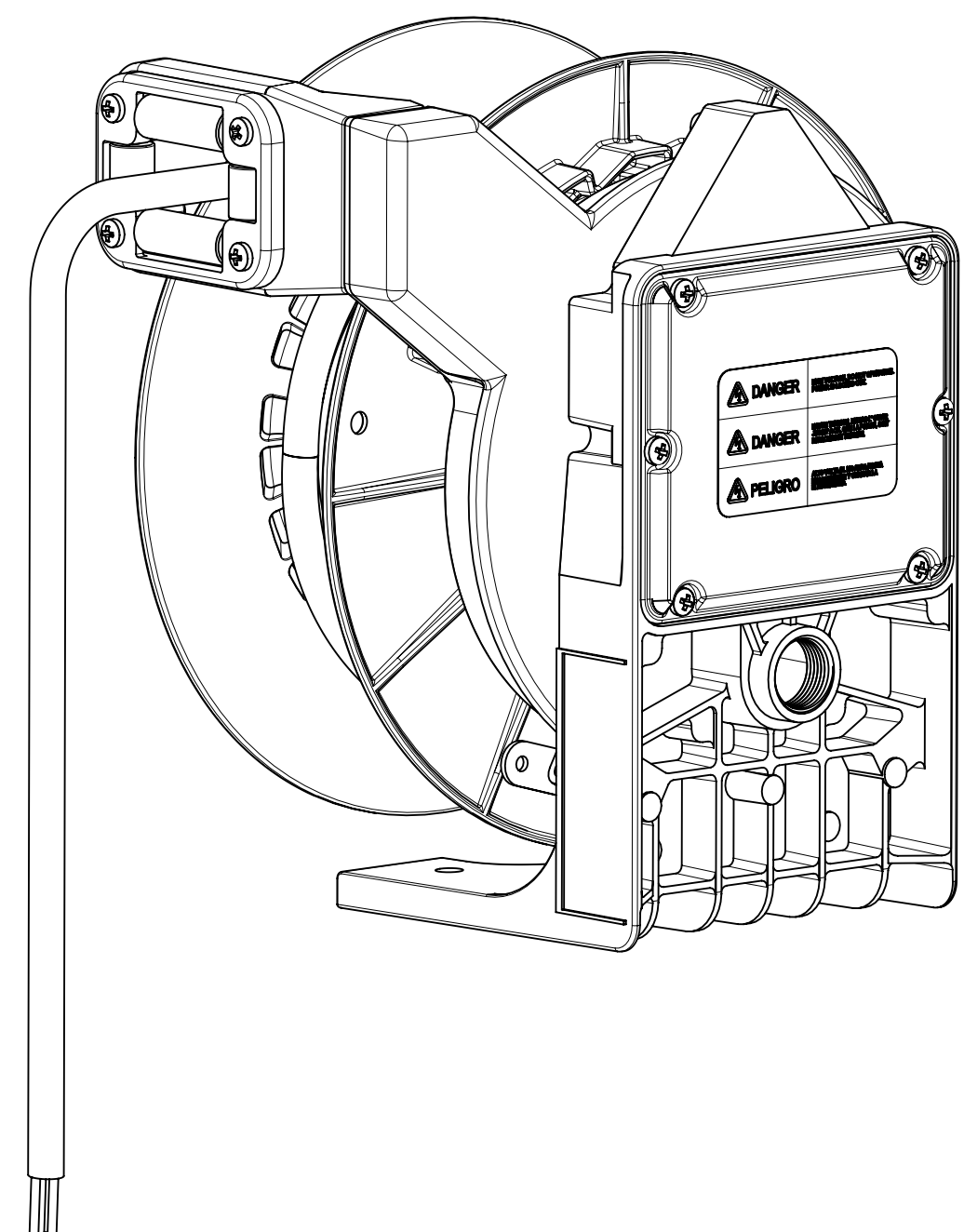
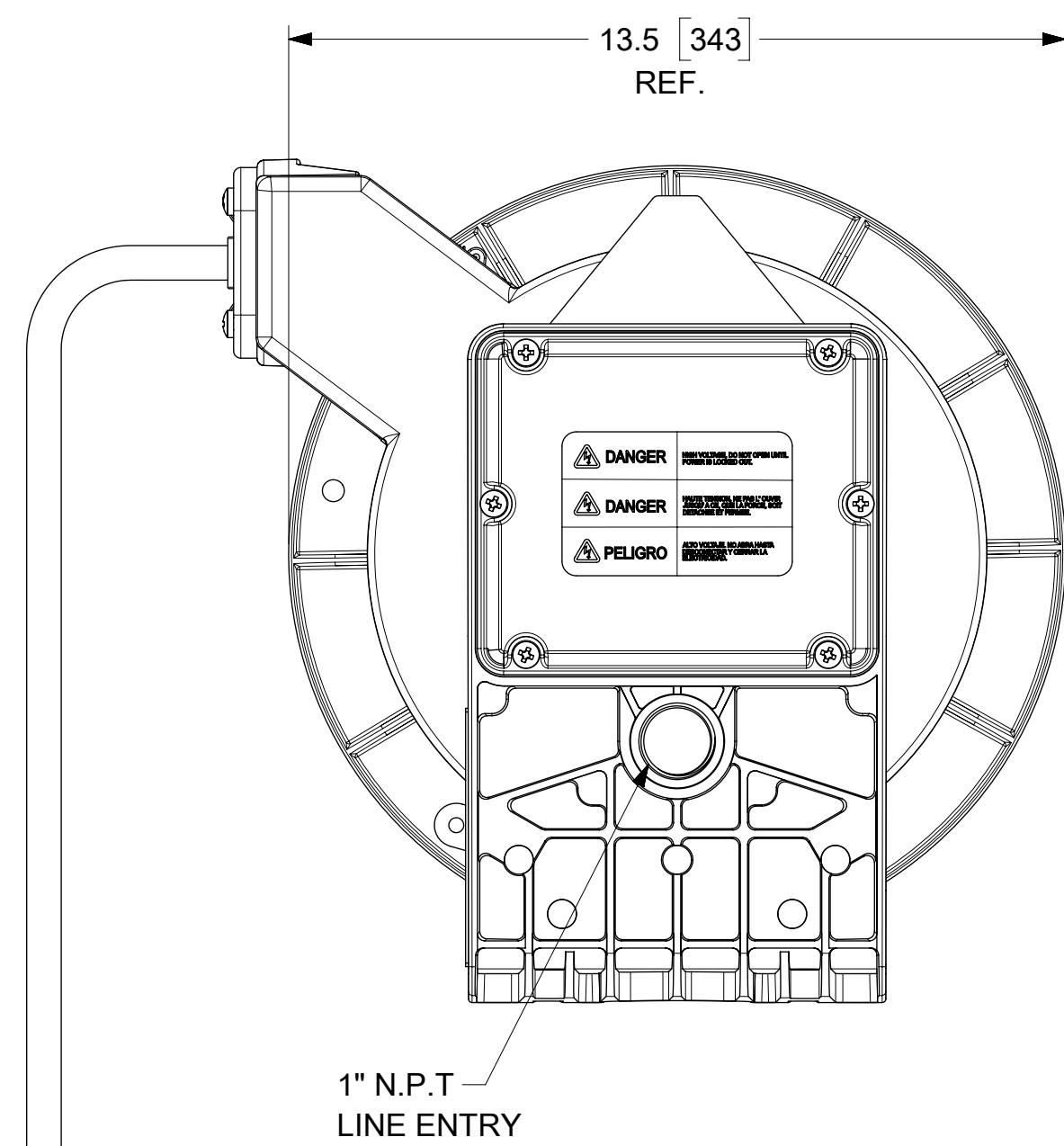
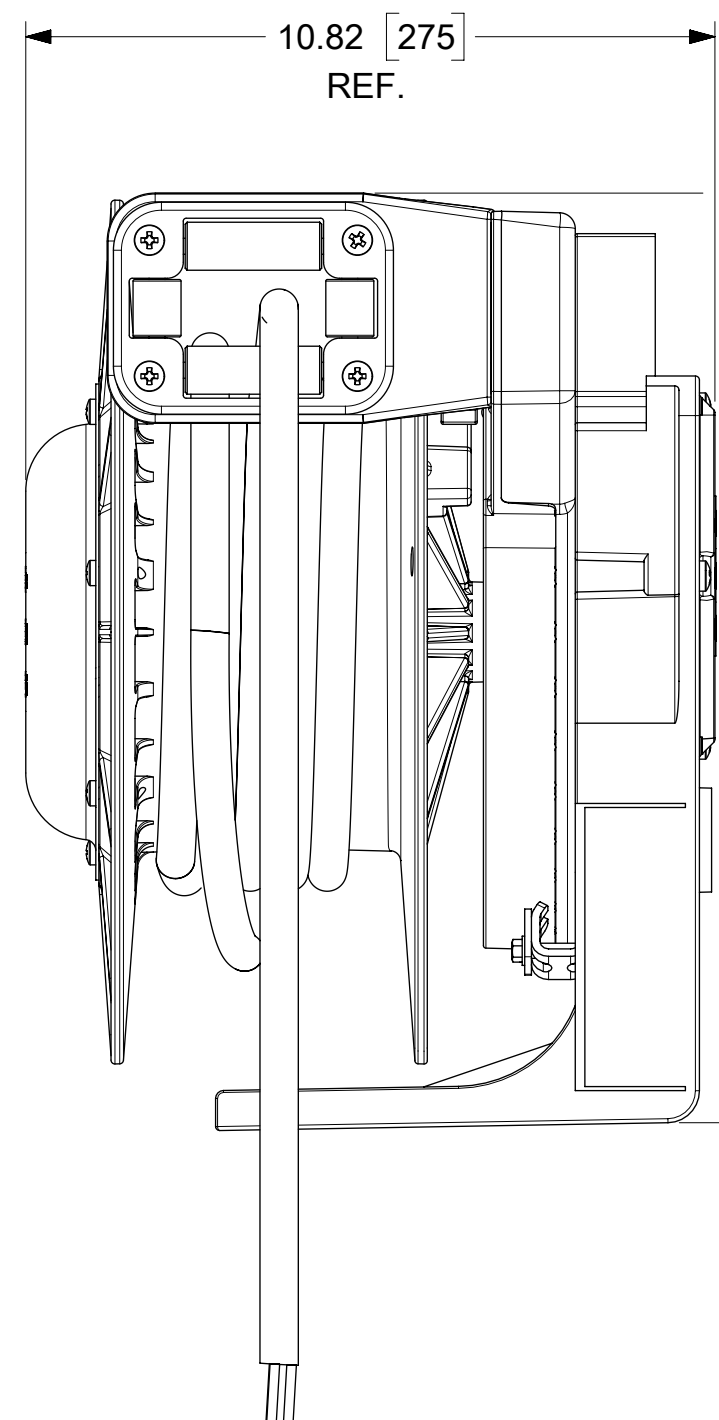
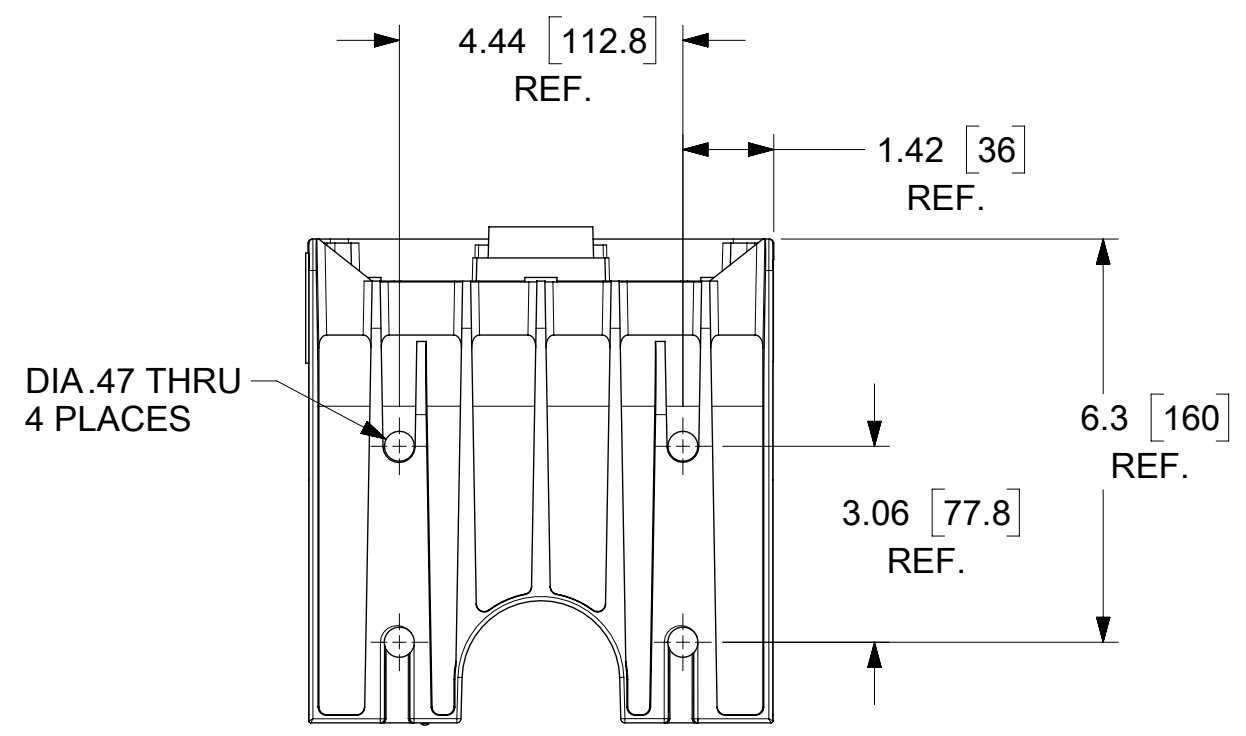


ORDER NO	130083-0222
WOODHEAD ENG. NO	9206
WIRE GAUGE	16
CONDUCTORS	6
AMPERAGE	7A
WORKING CORD	45 FT. BLACK
CORD TYPE	SOW
CONSTRUCTION	HEAVY WALL CAST ALUMINUM
PAINT	YELLOW POWDER COAT
REEL ENCLOSURE RATING	NEMA 4 INDOOR / OUTDOOR
RETRACTION WEIGHT	4.0 LB [1.8 KG]



FLYING LEAD



BOTTOM VIEW

NOTES:

1. CABLE GUIDE IS ADJUSTABLE EVERY 5 DEGREES OVER 270 DEGREE ARC.
2. RATCHET LOCK IS EASY TO DISENGAGE FOR CONSTANT TENSION.
3. REEL CANNOT BE "LOCKED OUT" AT FULL EXTENSION.

FUNCTIONAL SYMBOLS	THIS DRAWING CONTAINS INFORMATION THAT IS PROPRIETARY TO MOLEX ELECTRONIC TECHNOLOGIES, LLC AND SHOULD NOT BE USED WITHOUT WRITTEN PERMISSION			
	DIMENSION UNITS	SCALE		CURRENT REV DESC: RELEASE CUSTOMER DRAWING
$F_A = 0$	INCH/MM	NTS		<p>EC NO: 673889</p> <p>DRWN: VHANDI 2020/07/16</p> <p>CHK'D: DSOPPIN 2022/05/09</p> <p>APPR: HKNEELAND 2022/05/13</p> <p>INITIAL REVISION:</p> <p>DRWN: VHANDI 2020/07/16</p> <p>APPR: HKNEELAND 2022/05/13</p>
$F_C = 0$	GENERAL TOLERANCES (UNLESS SPECIFIED)			
$F_D = 0$		MM	INCH	
DIVISIONAL SYMBOLS	4 PLACES	±	±	
	3 PLACES	±	± 0.005	
	2 PLACES	± 0.13	± 0.01	
	1 PLACE	± 0.25	± 0.02	
	0 PLACES	±	±	
	ANGULAR TOL	± 0.5°		
	DRAFT WHERE APPLICABLE MUST REMAIN WITHIN DIMENSIONS	THIRD ANGLE PROJECTION	DRAWING C-SIZE	SERIES 130083
DOCUMENT STATUS	P1	RELEASE DATE	2022/05/13 20:22:55	<p>molex</p> <p>CORD REEL - INDUSTRIAL DUTY 45' #16-6 SOOW</p> <p>PRODUCT CUSTOMER DRAWING</p> <p>DOCUMENT NUMBER 1300830222</p> <p>DOC TYPE PSD</p> <p>DOC PART 000</p> <p>REVISION A</p> <p>MATERIAL NUMBER SEE TABLE</p> <p>CUSTOMER GENERAL MARKET</p> <p>SHEET NUMBER 1 OF 1</p>