

RJ45 connector - CUC-V14-C1ZNI-B/R4P8 - 1422665

Please be informed that the data shown in this PDF Document is generated from our Online Catalog. Please find the complete data in the user's documentation. Our General Terms of Use for Downloads are valid (<http://phoenixcontact.com/download>)


Push-pull connector (version 14), die-cast zinc, with RJ45 connector insert, 8-pos., with IDC fast connection technology, for 1 and 7-wire cores, 23 ... 22 AWG, for cable diameter of 5.5 mm ... 10 mm

Your advantages

- Push-pull ADVANCE connector
- Locking system to prevent inadvertent removal
- Protected data transmission, thanks to 360° shielding concept
- High resistance to ESD and EMC for reliable transmission



Key Commercial Data

| | |
|--------------|---|
| Packing unit | 1 pc |
| GTIN |  4 055626 311357 |
| GTIN | 4055626311357 |

Technical data

Mechanical characteristics

| | |
|------------------------------|--|
| Number of positions | 8 |
| Connection profile | RJ45 |
| Locking type | Push Pull |
| Insertion/withdrawal cycles | ≥ 750 |
| Connection method | IDC fast connection |
| Conductor cross section | 0.23 mm ² ... 0.32 mm ² (solid) |
| | 0.23 mm ² ... 0.36 mm ² (flexible) |
| Connection cross section AWG | 23 ... 22 (solid) |
| | 23 ... 22 (flexible) |
| Max. cable diameter | 5.5 mm ... 10 mm |
| External cable diameter | 5.5 mm ... 10 mm |
| Cable outlet | angled |
| Degree of protection | IP65/IP67 |
| Type | Version 14 |
| No. of cable outlets | 1 |
| Note | This product corresponds to the PROFINET Cabling and Interconnection Technology Guideline for PROFINET regulations, version 3.01, Order No. 2252 |

RJ45 connector - CUC-V14-C1ZNI-B/R4P8 - 1422665

Technical data

Ambient conditions

| | |
|---|------------------|
| Ambient temperature (operation) | -40 °C ... 70 °C |
| Ambient temperature (assembly) | -10 °C ... 40 °C |
| Ambient temperature (storage/transport) | -40 °C ... 70 °C |

Material data

| | |
|--------------------------|---------------|
| Housing material | Zinc die-cast |
| Housing surface material | Nickel-plated |
| Seal material | NBR |
| Height | 50 mm |

Electrical characteristics

| | |
|---|-----------------------|
| Rated voltage (III/3) | 72 V (DC) |
| Rated current | 1.75 A |
| Frequency range | to 100 MHz |
| Transmission characteristics (category) | CAT5 (IEC 11801:2002) |

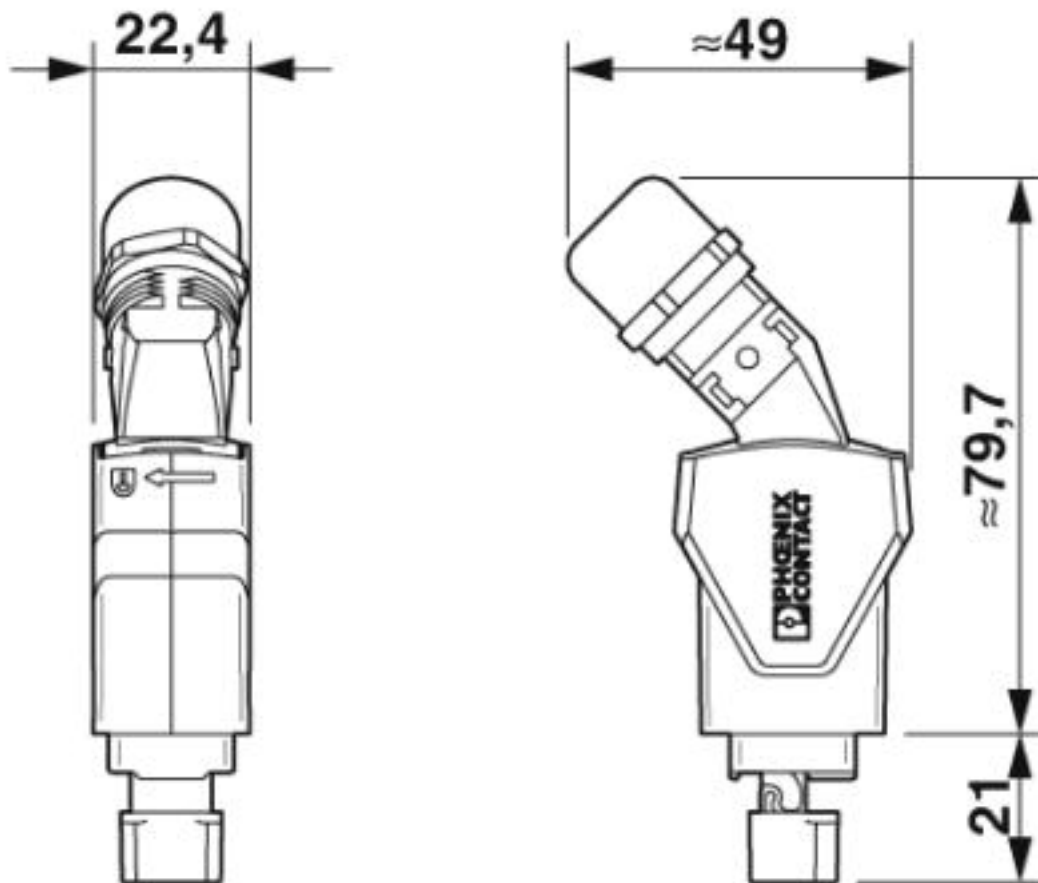
Environmental Product Compliance

| | |
|------------|---|
| REACH SVHC | Lead 7439-92-1 |
| China RoHS | Environmentally Friendly Use Period = 50 |
| | For details about hazardous substances go to tab "Downloads", Category "Manufacturer's declaration" |

Drawings

RJ45 connector - CUC-V14-C1ZNI-B/R4P8 - 1422665

Dimensional drawing



Phoenix Contact 2019 © - all rights reserved
<http://www.phoenixcontact.com>

PHOENIX CONTACT GmbH & Co. KG
Flachsmarktstr. 8
32825 Blomberg
Germany
Tel. +49 5235 300
Fax +49 5235 3 41200
<http://www.phoenixcontact.com>