

# Connector - SACC-MINFS-3CON-PG13 - 1521313

Please be informed that the data shown in this PDF Document is generated from our Online Catalog. Please find the complete data in the user's documentation. Our General Terms of Use for Downloads are valid (<http://phoenixcontact.com/download>)



Connector, Universal, 3-position, Socket straight 7/8"-UNF, Coding: A, Screw connection, knurl material: Zinc die-cast, nickel-plated, cable gland Pg13,5, external cable diameter 10 mm ... 12 mm

## Your advantages

- Safe use in the field, thanks to a high degree of protection
- Flexible: connectors for on-site assembly
- Screw connection: proven connection technology for a large selection of different conductors



## Key Commercial Data

|              |               |
|--------------|---------------|
| Packing unit | 1 pc          |
| GTIN         |               |
| GTIN         | 4017918949549 |

## Technical data

### Dimensions

|   |                 |
|---|-----------------|
| Diameter housing                        | 27 mm           |
| Length                                  | 84 mm           |
| External cable diameter                 | 10 mm ... 12 mm |
| Stripping length of the sheath          | 30 mm           |
| Stripping length of the individual wire | 7 mm            |

### Ambient conditions

|                                 |                                  |
|---------------------------------|----------------------------------|
| Ambient temperature (operation) | -25 °C ... 85 °C (Plug / socket) |
|                                 | -25 °C ... 85 °C (Plug / socket) |
| Degree of protection            | IP67                             |

### General

|      |  |
|------|--|
| Note | NOTE: Observe the permissible bending radii when laying conductors, since the degree of protection may be put in jeopardy if the bending |
|------|--|

# Connector - SACC-MINFS-3CON-PG13 - 1521313

## Technical data

### General

|                             |  |
|-----------------------------|--|
|                             | forces are too high. Alleviate mechanical loads upstream of the connector, e.g. by using cable ties. |
| Rated current at 40°C       | 12 A   |
| Rated voltage               | 300 V AC   |
|                             | 300 V DC   |
| Number of positions         | 3  |
| Insulation resistance       | ≥ 100 MΩ   |
| Coding                      | A - standard   |
| Signal type/category        | Universal  |
| Status display              | No   |
| Overvoltage category        | III  |
| Degree of pollution         | 3  |
| Connection method           | Screw connection   |
| Conductor cross section     | 0.34 mm² ... 1.5 mm² (without ferrule)   |
|                             | 0.34 mm² ... 1.5 mm² (with ferrule)  |
|                             | 0.34 mm² ... 1.5 mm² (solid)   |
| Conductor cross section AWG | 22 ... 16 (without ferrule)  |
|                             | 22 ... 16 (with ferrule)   |
| Insertion/withdrawal cycles | ≥ 100  |
| Torque                      | 0.8 Nm (7/8" connectors)   |
|                             | 0.4 Nm (Screw terminal blocks)   |
|                             | 1 Nm ... 1.4 Nm (Pressure screw)   |
| Tightening torque           | Screw plug insert with sleeve housing as far it will go  |
| Assembly instructions       | The wires can be connected both with ferrules and without ferrules                                   |

### Material

|  |                              |
|--|------------------------------|
| Flammability rating according to UL 94 | HB                           |
| Contact material                       | CuZn                         |
| Contact surface material               | Au                           |
| Contact carrier material               | PUR / PA 6.6                 |
| Material of grip body                  | PBT                          |
| Material, knurls                       | Zinc die-cast, nickel-plated |

### Standards and Regulations

|  |     |
|--|-----|
| Connection in acc. with standard       | CUL |
| Flammability rating according to UL 94 | HB  |

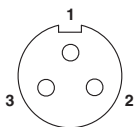
### Environmental Product Compliance

|            |   |
|------------|---|
| REACH SVHC | Lead 7439-92-1  |
| China RoHS | Environmentally Friendly Use Period = 50 years  |
|            | For details about hazardous substances go to tab "Downloads", Category "Manufacturer's declaration" |

# Connector - SACC-MINFS-3CON-PG13 - 1521313

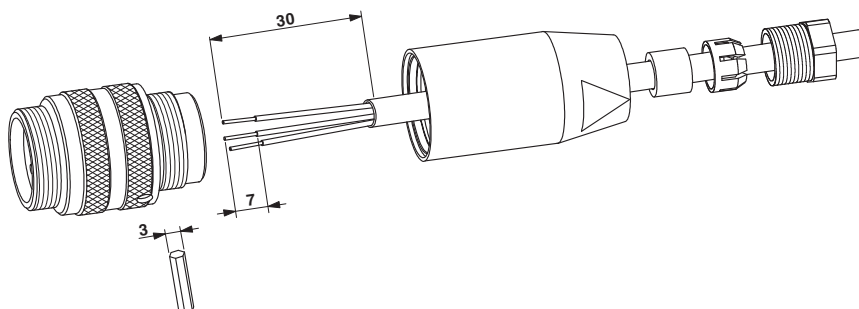
## Drawings

Schematic diagram

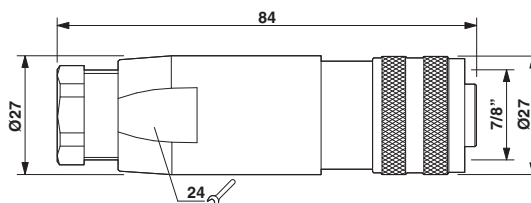


Pin assignment, socket, 7/8"-16UNF, 3-pos., view of female side

Functional drawing



Dimensional drawing



Socket 7/8"-16UNF, straight, Pg13

## Classifications

eCl@ss

|               |          |
|---------------|----------|
| eCl@ss 10.0.1 | 27440102 |
| eCl@ss 11.0   | 27440102 |
| eCl@ss 4.0    | 27260700 |
| eCl@ss 4.1    | 27260700 |
| eCl@ss 5.0    | 27260700 |
| eCl@ss 5.1    | 27260700 |
| eCl@ss 6.0    | 27279200 |
| eCl@ss 7.0    | 27440104 |
| eCl@ss 9.0    | 27440102 |

ETIM

|          |          |
|----------|----------|
| ETIM 2.0 | EC001121 |
| ETIM 3.0 | EC002062 |
| ETIM 4.0 | EC002062 |
| ETIM 6.0 | EC002062 |

# Connector - SACC-MINFS-3CON-PG13 - 1521313

## Classifications

### ETIM

|          |          |
|----------|----------|
| ETIM 7.0 | EC002635 |
|----------|----------|

### UNSPSC

|               |          |
|---------------|----------|
| UNSPSC 6.01   | 31251501 |
| UNSPSC 7.0901 | 31251501 |
| UNSPSC 11     | 31251501 |
| UNSPSC 12.01  | 31251501 |
| UNSPSC 13.2   | 39121413 |
| UNSPSC 18.0   | 39121413 |
| UNSPSC 19.0   | 39121413 |
| UNSPSC 20.0   | 39121413 |
| UNSPSC 21.0   | 39121413 |

## Approvals

### Approvals

---

Approvals


UL Recognized / cUL Recognized / EAC / cULus Recognized


---

### Ex Approvals

---

### Approval details

|                    |   |   |               |
|--------------------|---|---|---------------|
| UL Recognized      |  | <a href="http://database.ul.com/cgi-bin/XYV/template/LISEXT/1FRAME/index.htm">http://database.ul.com/cgi-bin/XYV/template/LISEXT/1FRAME/index.htm</a> | FILE E 221474 |
| Nominal voltage UN |   | 600 V   |               |
| Nominal current IN |   | 12 A  |               |

|                    |   |   |               |
|--------------------|---|---|---------------|
| cUL Recognized     |  | <a href="http://database.ul.com/cgi-bin/XYV/template/LISEXT/1FRAME/index.htm">http://database.ul.com/cgi-bin/XYV/template/LISEXT/1FRAME/index.htm</a> | FILE E 221474 |
| Nominal voltage UN |   | 600 V   |               |
| Nominal current IN |   | 12 A  |               |

# Connector - SACC-MINFS-3CON-PG13 - 1521313

## Approvals

|     |  |                          |
|-----|--|--------------------------|
| EAC |  | RU C-<br>DE.BL08.B.00511 |
|-----|--|--------------------------|

|                  |  |
|------------------|--|
| cULus Recognized |  |
|------------------|--|

## Accessories

### Accessories

#### Plug for cable screw gland

Screw plug - PROT-MINMS-PA-CHAIN - 1430925

7/8" sealing cap made of plastic with fixing band, for sensor cables, for 7/8" sockets



### Screwdriver tools

Adapter insert - TSD-M SAC-BIT ADAPTER - 1212600



Adapter bit for TSD-M...torque tools, E6.3-1/4" drive with 4 mm hexagon to accommodate SAC bits

Tool - SAC BIT MIN-D25 - 1212512



Nut for assembling 7/8" connectors with a knurl diameter of 25 mm, with 4 mm hexagonal drive

### Torque tool

## Connector - SACC-MINFS-3CON-PG13 - 1521313

### Accessories

Torque screwdriver - TSD 08 SAC - 1212597



Torque screw driver with preset torque of 0.8 Nm, with 4 mm hexagon for accommodating SAC bits, two-component handle with non-slip grip

---

Torque screwdriver - TSD-M 1,2NM - 1212224



Torque screw driver, accuracy as per EN ISO 6789 standard, adjustable from 0.3 - 1.2 Nm

---

Phoenix Contact 2021 © - all rights reserved  
<http://www.phoenixcontact.com>

PHOENIX CONTACT GmbH & Co. KG  
Flachsmarktstr. 8  
32825 Blomberg  
Germany  
Tel. +49 5235 300  
Fax +49 5235 3 41200  
<http://www.phoenixcontact.com>