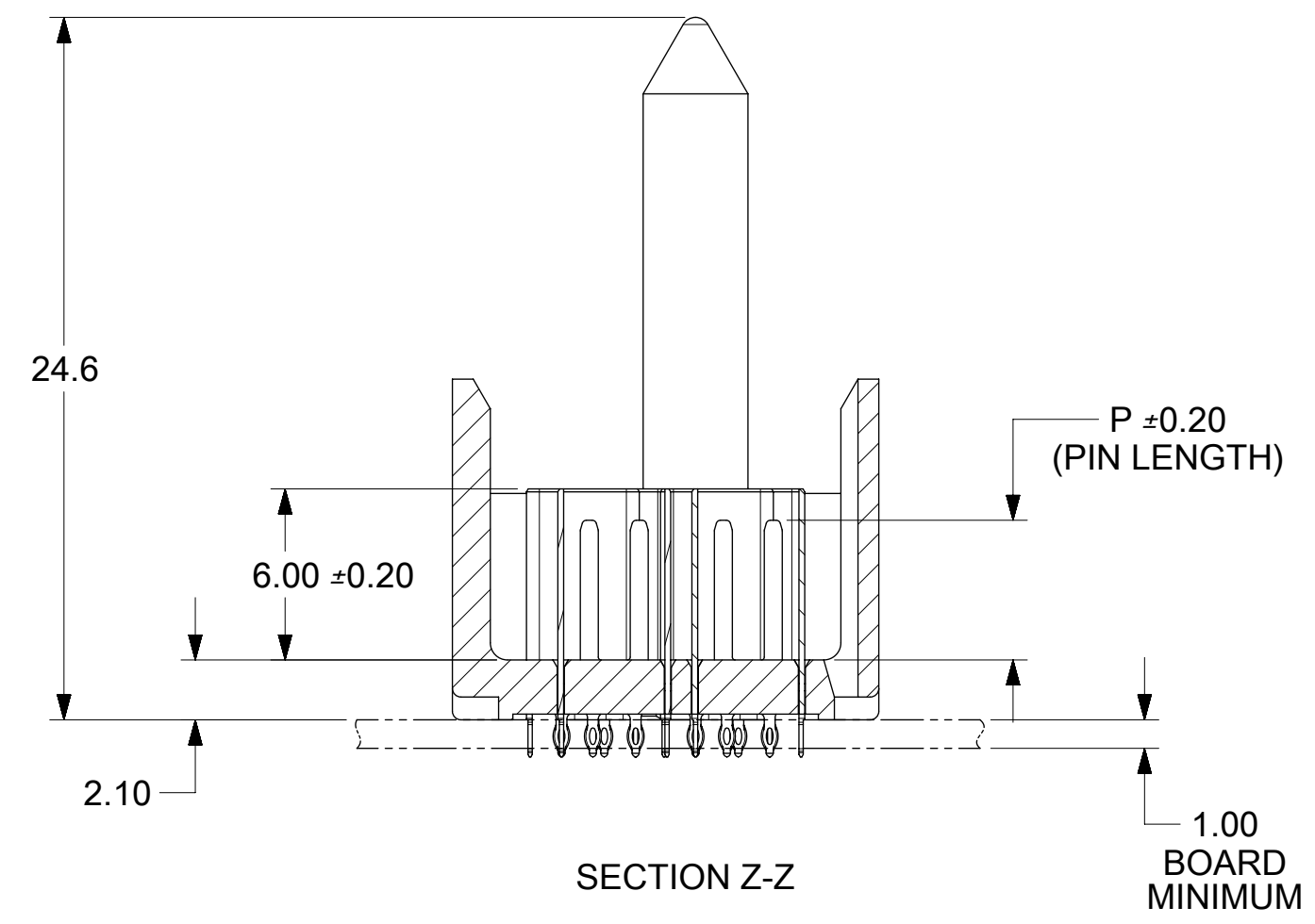


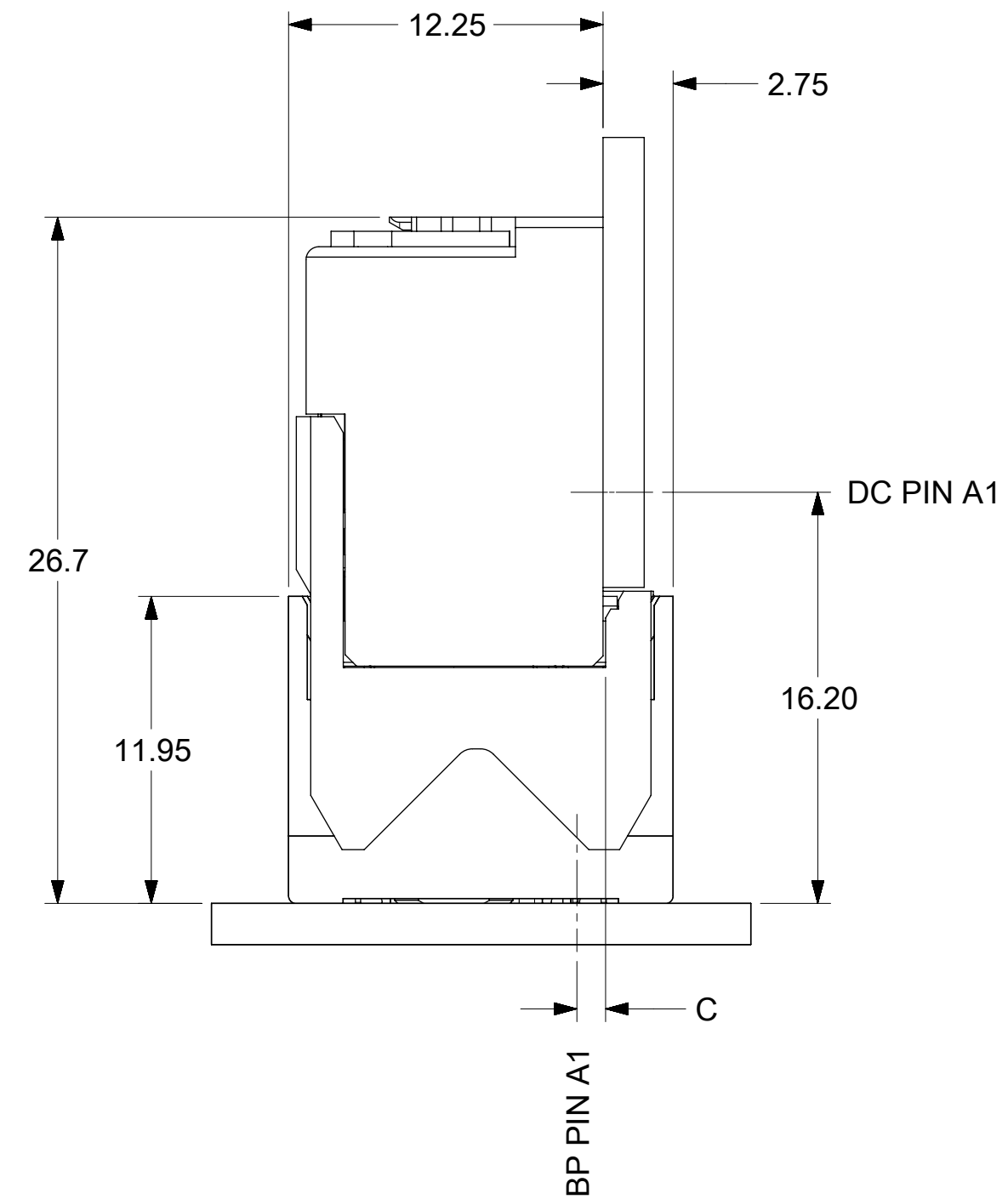
**GUIDE RIGHT
VERSION**

- NOTES:
1. MATERIALS: HOUSING - LIQUID CRYSTAL POLYMER (LCP)
GLASS-FILLED, UL94V-0
TERMINALS - HIGH PERFORMANCE COPPER ALLOY
 2. FINISH: 30uIN GOLD IN CONTACT AREA.
SELECTIVE TIN ON PCB TAILS.
NICKEL OVERALL.
 3. REFER TO MOLEX PRODUCT SPECIFICATION PS-171320-999 FOR PERFORMANCE SPECIFICATIONS.
 4. THIS PART CONFORMS TO CLASS B REQUIREMENTS OF MOLEX COSMETIC SPEC PS-45499-002.
 5. PRODUCT WILL BE PACKAGED PER PK-78888-312.
 6. SEE SHEETS 2, 3, 4, AND 5 FOR HOLE PATTERN AND MATED PART DIMENSIONS.
 7. MATES WITH IMPEL DC SERIES NUMBER 171750.
 8. REFER TO IMPEL PCB ROUTING GUIDE AS-171320-990 FOR ANTIPAD, ROUTING RECOMMENDATIONS, AND ADDITIONAL PCB INFORMATION.
 9. WHEN STACKING MODULES END TO END, THE MINIMUM COLUMN TO COLUMN SPACING IS 2.65mm.
 10. THE KEEP-OUT ZONE FOR THE BP HOUSING LENGTH INCLUDES THE NECESSARY SPACE REQUIRED FOR THE MATING DAUGHTERCARD HOUSING.
 11. PART IS SUPPLIED WITH ONE 2-56 UNC-2A SCREW.



QUALITY SYMBOLS ▽ = 0 ▽ = 0 ▽ = 0 ▼ = 0 ▽ = 0 ☒ = 0 ■ = 0 ▽ = 0		THIS DRAWING CONTAINS INFORMATION THAT IS PROPRIETARY TO MOLEX ELECTRONIC TECHNOLOGIES, LLC AND SHOULD NOT BE USED WITHOUT WRITTEN PERMISSION				DIMENSION UNITS: MM SCALE: 4:1				
MIGRATED TO NX EC NO: 177983 DRWN: SCHANNARAYAN CHKD: DWLEED01 REV / APPR: DWLEED01		GENERAL TOLERANCES (UNLESS SPECIFIED) ANGULAR TOL ± 0.5 ° 4 PLACES ± 3 PLACES ± 2 PLACES ± 0.13 1 PLACE ± 0.25 0 PLACES ±		DRWN BY: BJanowiak DATE: 2012/12/06 CHK'D BY: CYLIAW APPR BY: JBINGHAM DATE: 2014/12/29		PRODUCT CUSTOMER DRAWING SERIES: 171745 MATERIAL NUMBER: SEE CHART CUSTOMER: GENERAL MARKET				
RELEASE STATUS: P1 RELEASE DATE: 2018/07/12 06:52:38		DRAFT WHERE APPLICABLE MUST REMAIN WITHIN DIMENSIONS		DRAWING SIZE: C THIRD ANGLE PROJECTION		DOCUMENT NUMBER: SD-171745-0004 DOC TYPE: PSD DOC PART: 001 SHEET NUMBER: 1 OF 5				

MATERIAL NUMBER	NUMBER OF COLUMNS	NUMBER OF DIFF PAIR	DIM "A"	DIM "B"	DIM "C"	DIM "P"	PTH ϕ
171745-5804	8	16	22.20	13.30	1.10	4.90	0.46±0.05
171745-5805	8	16	22.20	13.30	1.10	5.50	0.46±0.05
171745-5807	8	16	22.20	13.30	1.20	4.90	0.36±0.05
171745-5808	8	16	22.20	13.30	1.20	5.50	0.36±0.05
171745-5104	10	20	26.00	17.10	1.10	4.90	0.46±0.05
171745-5105	10	20	26.00	17.10	1.10	5.50	0.46±0.05
171745-5107	10	20	26.00	17.10	1.20	4.90	0.36±0.05
171745-5108	10	20	26.00	17.10	1.20	5.50	0.36±0.05
171745-5204	12	24	29.80	20.90	1.10	4.90	0.46±0.05
171745-5205	12	24	29.80	20.90	1.10	5.50	0.46±0.05
171745-5207	12	24	29.80	20.90	1.20	4.90	0.36±0.05
171745-5208	12	24	29.80	20.90	1.20	5.50	0.36±0.05
171745-5604	16	32	37.40	28.50	1.10	4.90	0.46±0.05
171745-5605	16	32	37.40	28.50	1.10	5.50	0.46±0.05
171745-5607	16	32	37.40	28.50	1.20	4.90	0.36±0.05
171745-5608	16	32	37.40	28.50	1.20	5.50	0.36±0.05



MATED PART DIMENSIONS

171745-**0*

MODULE TYPE _____ PIN LENGTH (P)

5 = GUIDE RIGHT
9 = GUIDE RIGHT END WALL

OF COLUMNS _____

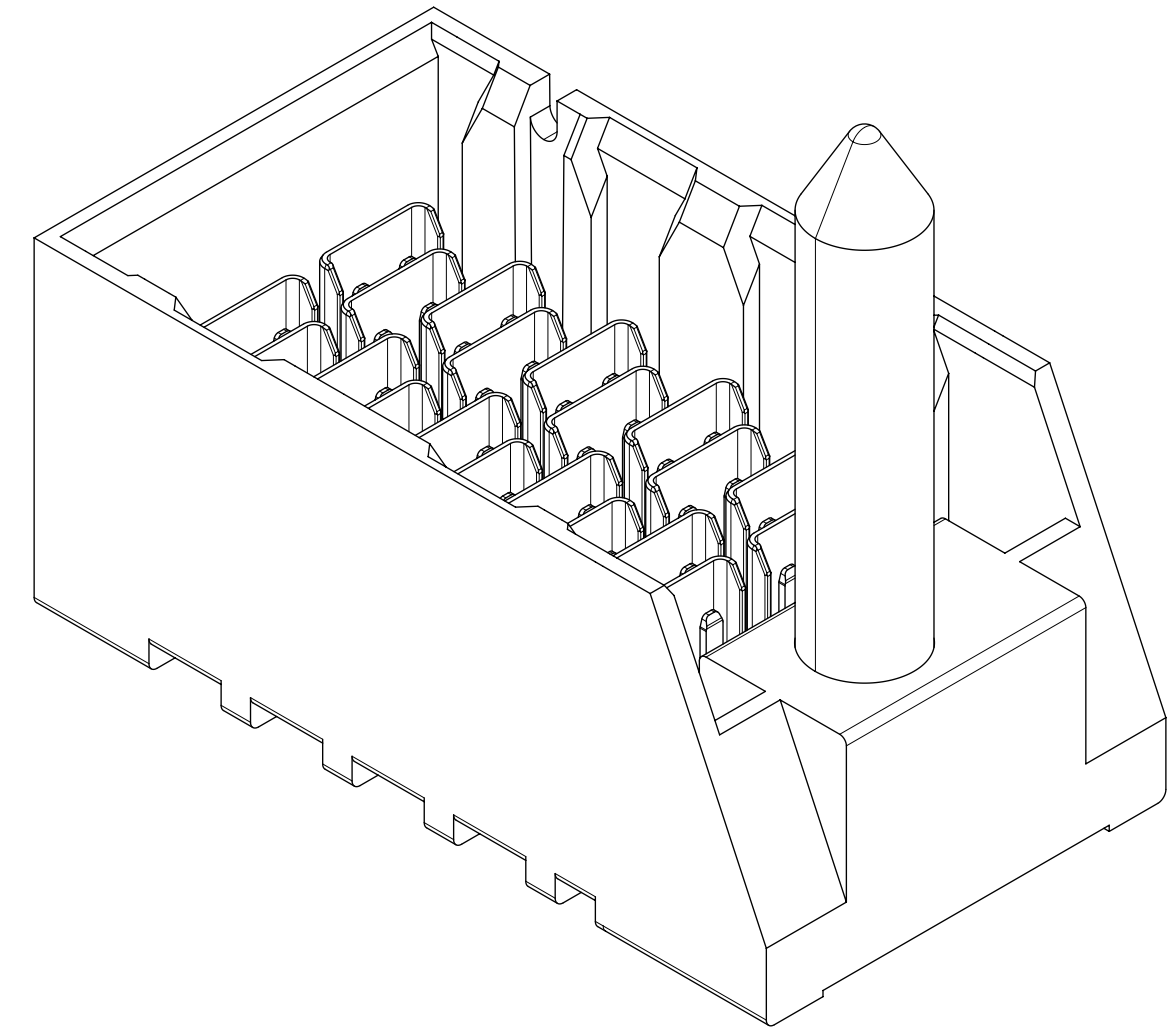
8 = 8 COL
1 = 10 COL
2 = 12 COL
6 = 16 COL

4 = 4.90 (0.46 PTH)
5 = 5.50 (0.46 PTH)
7 = 4.90 (0.36 PTH)
8 = 5.50 (0.36 PTH)

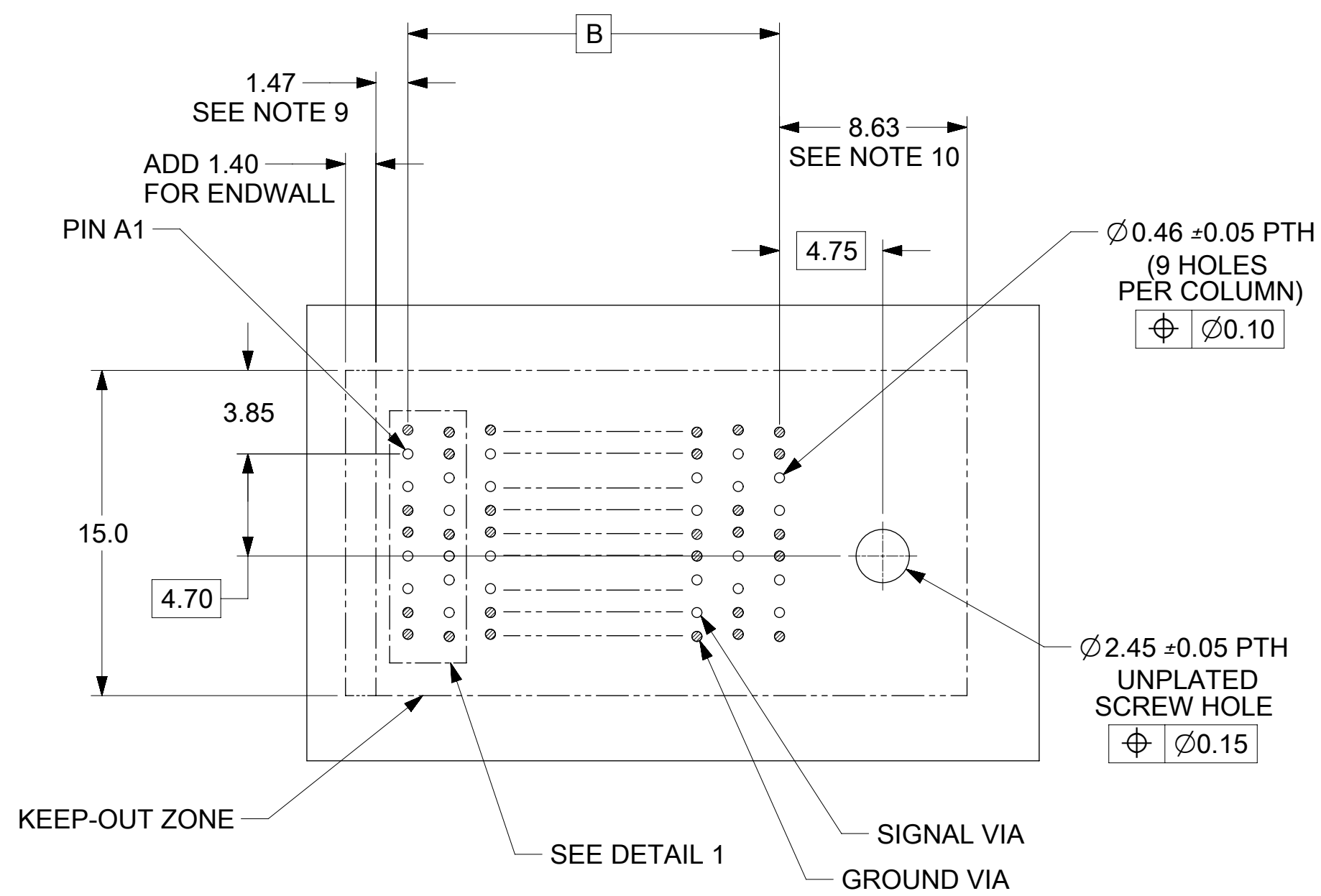
QUALITY SYMBOLS	THIS DRAWING CONTAINS INFORMATION THAT IS PROPRIETARY TO MOLEX ELECTRONIC TECHNOLOGIES, LLC AND SHOULD NOT BE USED WITHOUT WRITTEN PERMISSION			DIMENSION UNITS	SCALE		
▽ = 0	EC NO: 177983 DRWN: SCHANNARAYAN CHKD: DWLEED01 REV / APPR: DWLEED01	GENERAL TOLERANCES (UNLESS SPECIFIED)	MM	4:1	IMPEL 2 PAIR BACKPLANE GUIDE RIGHT ASSEMBLY SALES DRAWING		
▽ = 0		ANGULAR TOL ± 0.5 °	DRWN BY	DATE			
▽ = 0		4 PLACES ±	BJANOWIAK	2012/12/06			
▽ = 0		3 PLACES ±	CHKD BY	DATE	PRODUCT CUSTOMER DRAWING		
▽ = 0		2 PLACES ± 0.13	CYLIAW				
▽ = 0		1 PLACE ± 0.25	APPR BY	DATE			
▽ = 0		0 PLACES ±	JBINGHAM	2014/12/29	SERIES	MATERIAL NUMBER	CUSTOMER
▽ = 0		DRAFT WHERE APPLICABLE MUST REMAIN WITHIN DIMENSIONS	DRAWING SIZE	THIRD ANGLE PROJECTION	171745	SEE CHART	GENERAL MARKET
▽ = 0	A2		C		DOCUMENT NUMBER	DOC TYPE	DOC PART SHEET NUMBER
					SD-171745-0004	PSD	001 2 OF 5

MATERIAL NUMBER	NUMBER OF COLUMNS	NUMBER OF DIFF PAIR	DIM "A"	DIM "B"	DIM "C"	DIM "P"	PTH ϕ
171745-9804	8	16	23.60	13.30	1.10	4.90	0.46±0.05
171745-9805	8	16	23.60	13.30	1.10	5.50	0.46±0.05
171745-9807	8	16	23.60	13.30	1.20	4.90	0.36±0.05
171745-9808	8	16	23.60	13.30	1.20	5.50	0.36±0.05
171745-9104	10	20	27.40	17.10	1.10	4.90	0.46±0.05
171745-9105	10	20	27.40	17.10	1.10	5.50	0.46±0.05
171745-9107	10	20	27.40	17.10	1.20	4.90	0.36±0.05
171745-9108	10	20	27.40	17.10	1.20	5.50	0.36±0.05
171745-9204	12	24	32.20	20.90	1.10	4.90	0.46±0.05
171745-9205	12	24	32.20	20.90	1.10	5.50	0.46±0.05
171745-9207	12	24	32.20	20.90	1.20	4.90	0.36±0.05
171745-9208	12	24	32.20	20.90	1.20	5.50	0.36±0.05
171745-9604	16	32	38.80	28.50	1.10	4.90	0.46±0.05
171745-9605	16	32	38.80	28.50	1.10	5.50	0.46±0.05
171745-9607	16	32	38.80	28.50	1.20	4.90	0.36±0.05
171745-9608	16	32	38.80	28.50	1.20	5.50	0.36±0.05

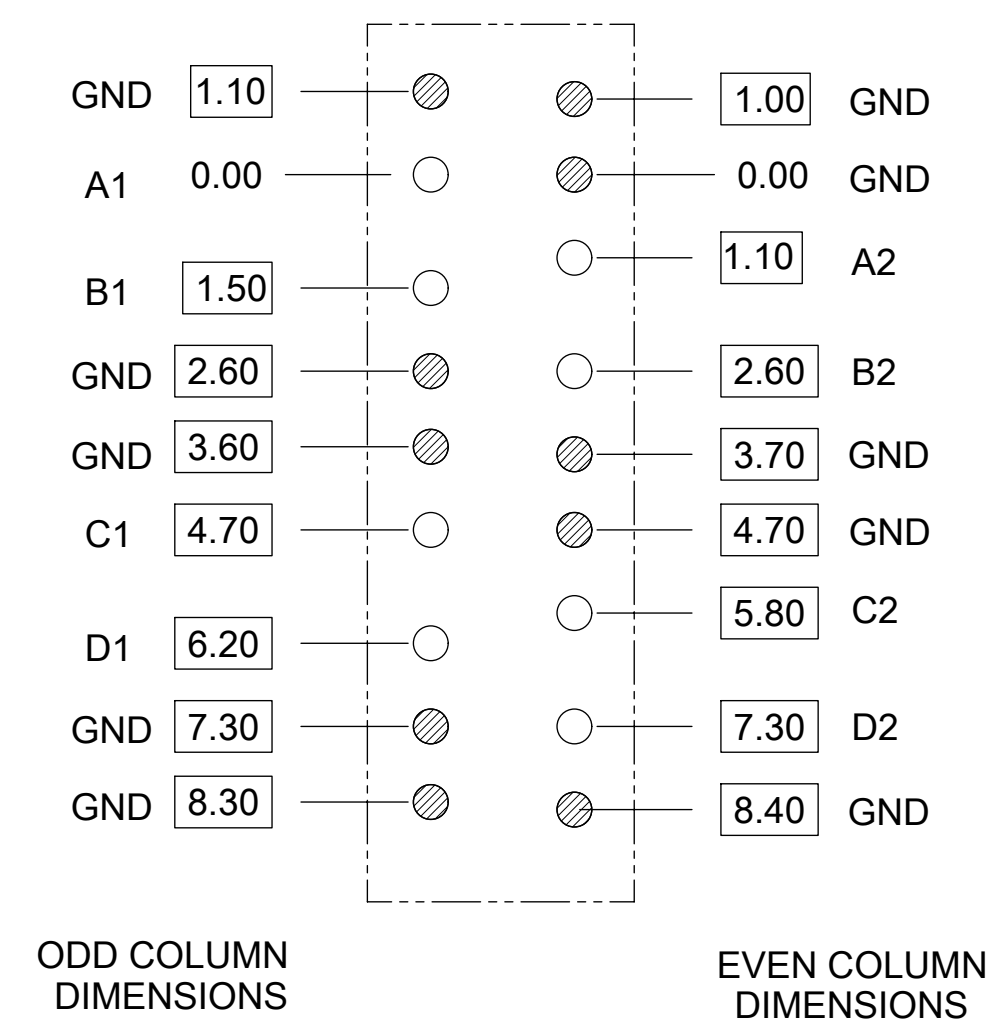
GUIDE RIGHT
END WALL VERSION



QUALITY SYMBOLS	THIS DRAWING CONTAINS INFORMATION THAT IS PROPRIETARY TO MOLEX ELECTRONIC TECHNOLOGIES, LLC AND SHOULD NOT BE USED WITHOUT WRITTEN PERMISSION										
▽ = 0	EC NO: 177983 DRWN: SCHANNARAYAN CHKD: DWLEED01 APPR: DWLEED01 MIGRATED TO NX 2017/10/25 2018/07/12 2018/07/12	GENERAL TOLERANCES (UNLESS SPECIFIED)				DIMENSION UNITS	SCALE				
▽ = 0		ANGULAR TOL ± 0.5 °				MM	5:1				
▽ = 0		4 PLACES ±				DRWN BY	DATE	IMPEL 2 PAIR BACKPLANE GUIDE RIGHT ASSEMBLY SALES DRAWING			
▽ = 0		3 PLACES ±				BJANOWIAK	2012/12/06				
▽ = 0		2 PLACES ± 0.13				CHKD BY	DATE	PRODUCT CUSTOMER DRAWING			
▽ = 0		1 PLACE ± 0.25				CYLIAW					
▽ = 0		0 PLACES ±				APPR BY	DATE	SERIES MATERIAL NUMBER CUSTOMER 171745 SEE CHART GENERAL MARKET			
▽ = 0		DRAFT WHERE APPLICABLE MUST REMAIN WITHIN DIMENSIONS				JBINGHAM	2014/12/29				
▽ = 0						DRAWING SIZE	THIRD ANGLE PROJECTION	DOCUMENT NUMBER DOC TYPE DOC PART SHEET NUMBER SD-171745-0004 PSD 001 3 OF 5			
▽ = 0						C					

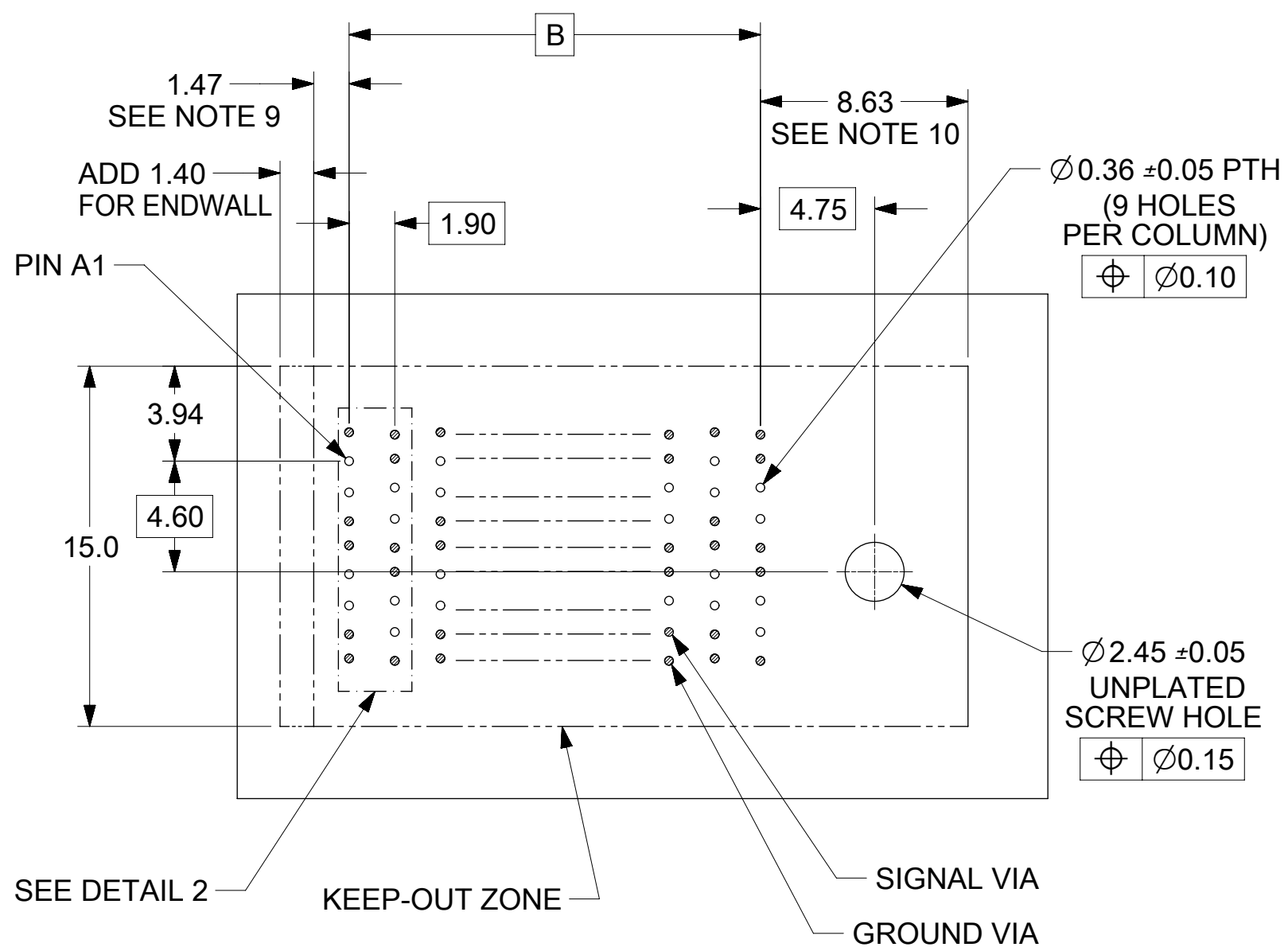


BACKPLANE HOLE PATTERN
FOR Ø0.46 PTH
(CONNECTOR SIDE)

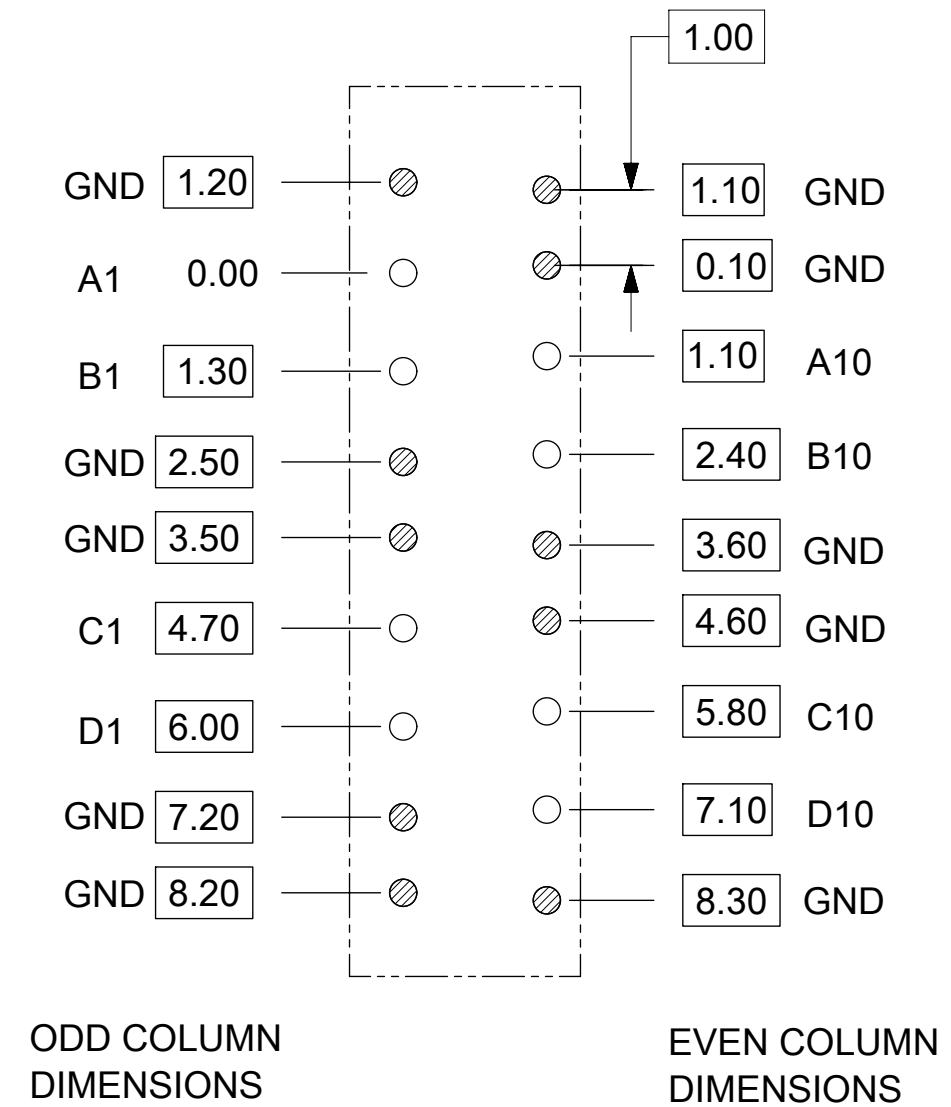


DETAIL 1
SCALE 10:1

QUALITY SYMBOLS ▽ = 0 ▽ = 0 ▽ = 0 ▼ = 0 ▽ = 0 ☒ = 0 ■ = 0 ▽ = 0	THIS DRAWING CONTAINS INFORMATION THAT IS PROPRIETARY TO MOLEX ELECTRONIC TECHNOLOGIES, LLC AND SHOULD NOT BE USED WITHOUT WRITTEN PERMISSION									
	MIGRATED TO NX		GENERAL TOLERANCES (UNLESS SPECIFIED)		DIMENSION UNITS		SCALE			
	EC NO: 177983		ANGULAR TOL ± 0.5 °		MM		4:1			
	DRWN: SCHANNARAYAN		4 PLACES ±		DRWN BY		DATE		IMPEL 2 PAIR BACKPLANE GUIDE RIGHT ASSEMBLY SALES DRAWING	
	CHKD: DWLEED01		3 PLACES ±		BJANOWIAK		2012/12/06			
	REV: APPR: DWLEED01		2 PLACES ± 0.13		CHKD BY		DATE		PRODUCT CUSTOMER DRAWING	
			1 PLACE ± 0.25		CYLIAW					
			0 PLACES ±		APPR BY		DATE		SERIES MATERIAL NUMBER CUSTOMER 171745 SEE CHART GENERAL MARKET	
			DRAFT WHERE APPLICABLE MUST REMAIN WITHIN DIMENSIONS		JBINGHAM		2014/12/29			
					DRAWING SIZE		THIRD ANGLE PROJECTION		DOCUMENT NUMBER DOC TYPE DOC PART SHEET NUMBER SD-171745-0004 PSD 001 4 OF 5	
				C						



BACKPLANE HOLE PATTERN
FOR Ø0.36 PTH
(CONNECTOR SIDE)



DETAIL 2
SCALE 10:1

QUALITY SYMBOLS	THIS DRAWING CONTAINS INFORMATION THAT IS PROPRIETARY TO MOLEX ELECTRONIC TECHNOLOGIES, LLC AND SHOULD NOT BE USED WITHOUT WRITTEN PERMISSION											
	MIGRATED TO NX EC NO: 177983 DRWN: SCHANNARAYAN CHKD: DWLEED01 APPR: DWLEED01 REV:	2017/10/25		2018/07/12		2018/07/12		GENERAL TOLERANCES (UNLESS SPECIFIED)		DIMENSION UNITS		SCALE
4 PLACES ±		3 PLACES ±		2 PLACES ± 0.13		1 PLACE ± 0.25		MM		4:1		
0 PLACES ±		DRAFT WHERE APPLICABLE MUST REMAIN WITHIN DIMENSIONS		C		THIRD ANGLE PROJECTION		DRWN BY		DATE		
BINGHAM		2014/12/29		BJANOWIAK		2012/12/06		CHKD BY		DATE		
CYLIAW		APPR BY		DATE		SERIES		MATERIAL NUMBER		CUSTOMER		
171745		SEE CHART		GENERAL MARKET		PRODUCT CUSTOMER DRAWING		DOCUMENT NUMBER		DOC TYPE		
SD-171745-0004		PSD		DOC PART		SHEET NUMBER		001		5 OF 5		