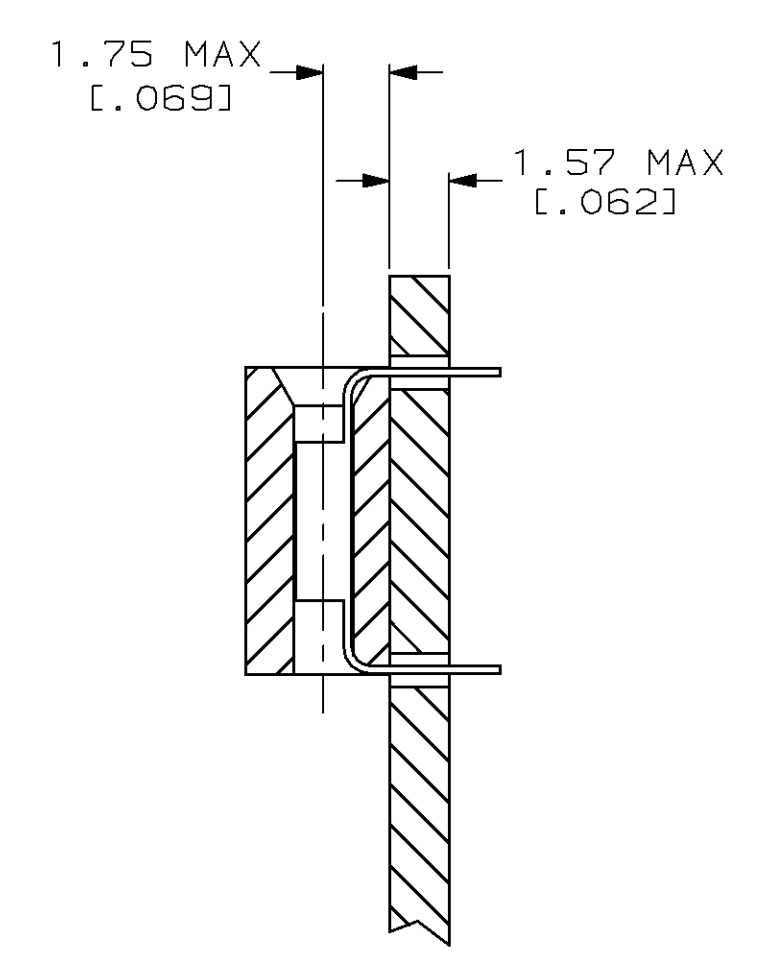
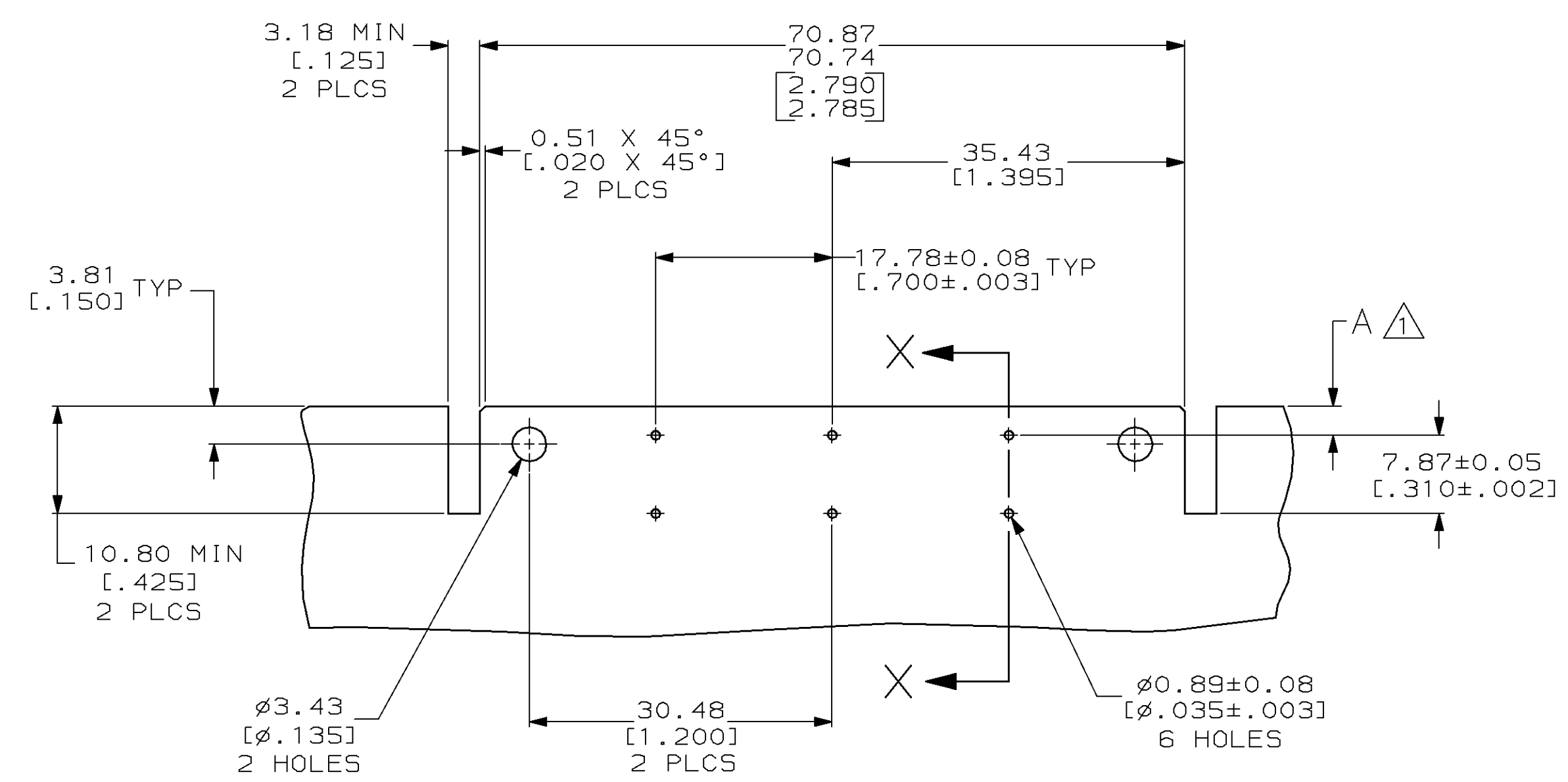
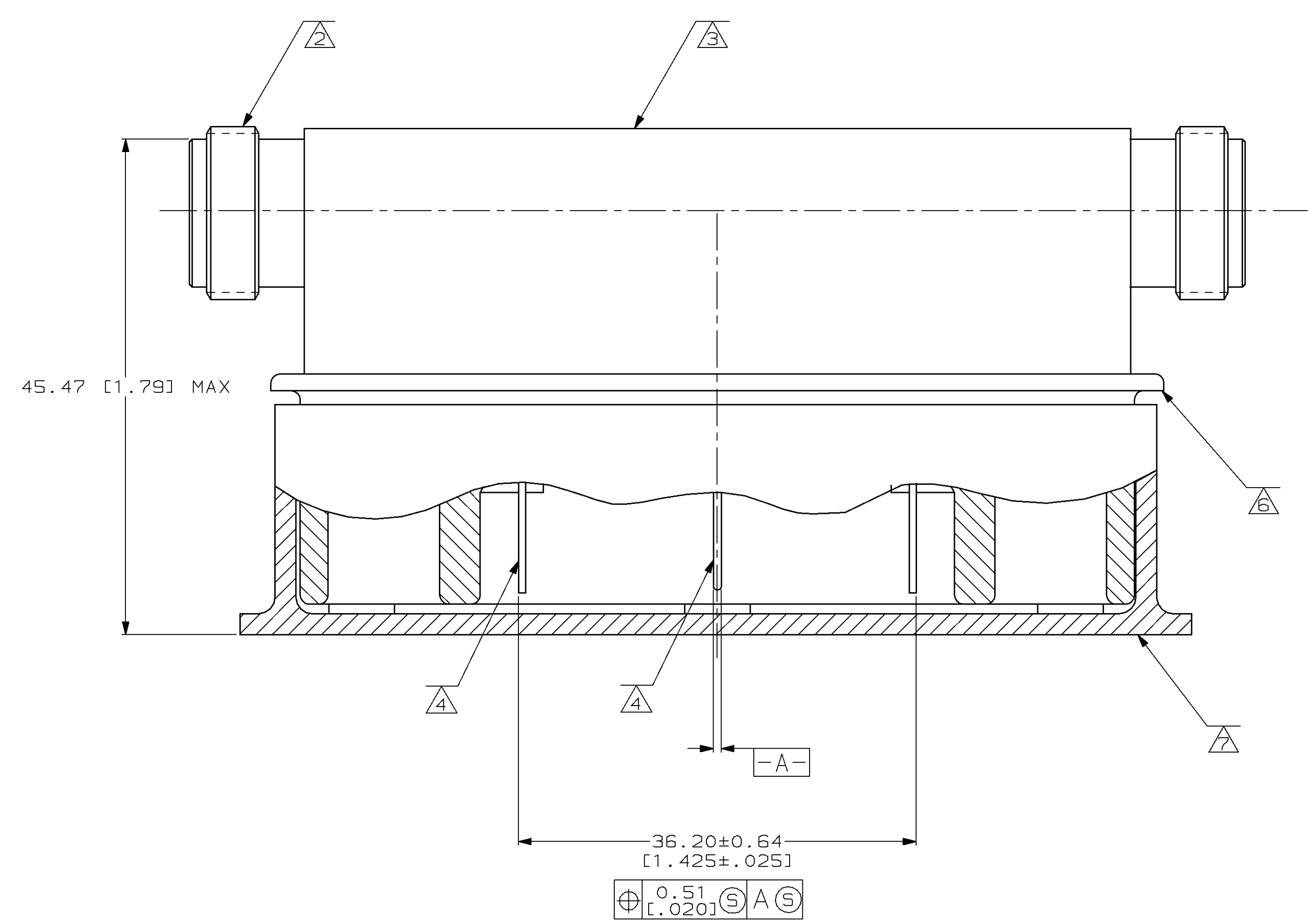
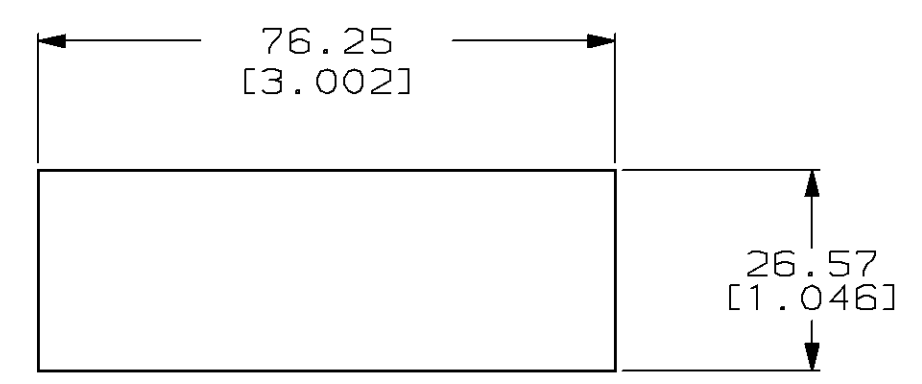


- ① WHEN USING AMP MODU CONNECTOR SERIES 532965, A = 1.52 ±0.13/-0.00 [.060 +.005/-0.000]
- ① WHEN USING AMP MODU CONNECTOR SERIES 87854, A = 2.92 [.115]
- ② SHELL: ZINC ALLOY, NICKEL PLATE
- ③ COVER: PVC, BLACK, UL94V-0 RATED
- ④ CONTACT & POSTS: PHOSPHOR BRONZE, GOLD PLATE
- ⑤ DIELECTRIC: POLYETHYLENE, NATURAL
- ⑥ BODY: POLYCARBONATE, BLACK, UL94V-0 RATED
- ⑦ DUST COVER: POLYPROPYLENE, WHITE OR BLACK



SECTION X-X
 WITH AMP MODU
 CONNECTOR ASSY
 SCALE 5:1

TRANSCEIVER BOARD LAYOUT
 SCALE 2:1



REQUIRED
 TRANSCEIVER OPENING
 SCALE 1:1

221914-1
 PART NUMBER

THIS DRAWING IS A CONTROLLED DOCUMENT.		DMY J. L. GROFT 3-15-96	AMP Incorporated Harrisburg, PA 17105-3608
DIMENSIONS: mm (INCHES)		CHK R. J. KOBLER 3-15-96	
TOLERANCES UNLESS OTHERWISE SPECIFIED:		APP'D R. J. KOBLER 3-15-96	NAME
0 PLC ±-	1 PLC ±-	PRODUCT SPEC	ADAPTER, JACK, TAP, SERIES N
2 PLC ±0.13 (.005)	3 PLC ±-	APPLICATION SPEC	SIZE
4 PLC ±-	ANGLES ±-	WEIGHT	CAGE CODE
MATERIAL SEE NOTES	FINISH SEE NOTES	CUSTOMER DRAWING	DRAWING NO
		SCALE 3:1	A1 00779
		SHEET 1 OF 1	REV E