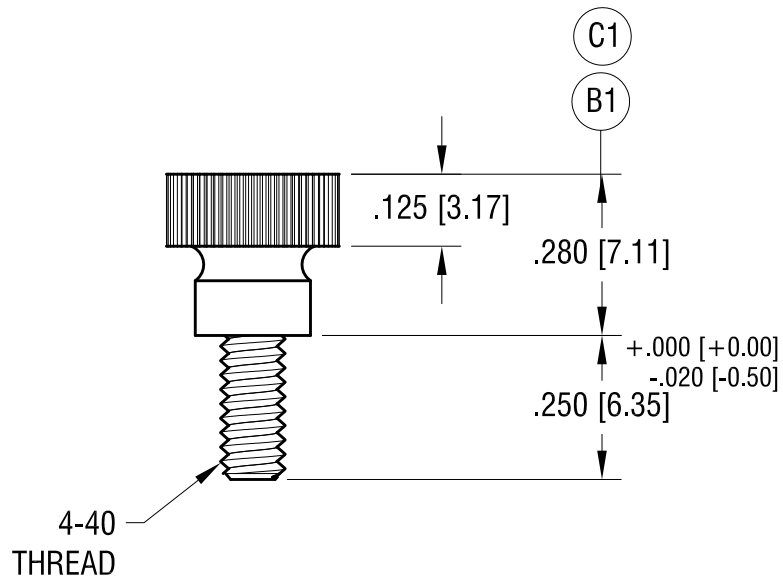
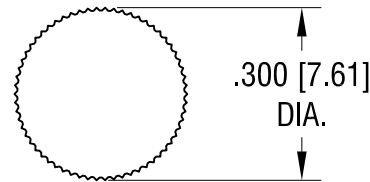


THIS DOCUMENT IS THE PROPERTY OF
KEYSTONE ELECTRONICS CORP. AND
SHALL NOT BE REPRODUCED, DISTRIBUTED
OR USED AS A BASIS FOR MANUFACTURE
WITHOUT PRIOR WRITTEN PERMISSION
FROM KEYSTONE ELECTRONICS CORP.

ACTUAL SIZE



11.11.21	C1 WAS .265±.010 CHANGE AS PER ECN 21-130	C
11.01.21	B1 WAS .280±.010 CHANGE AS PER ECN 21-124	B
8.04.11	CHANHE AS PER ECN 11-100	A
DATE	DESCRIPTION	REV.

KEYSTONE ELECTRONICS CORP.			
www.keyelco.com • NEW HYDE PARK NY 11040 • Tel (516)328-7500			
PART NAME		KNURL HEAD THUMB SCREW	
MATERIAL		NYLON 6/6	
FINISH	NONE	DRN BY	NT
		DATE	3.22.11
		APP'D	RH
		SCALE	3X
TOLERANCES	INCH [MM]	CODE	DWG NO.
DECIMAL	± .010 [± 0.25]	C	2500
ANGULAR	± 1°		
UNLESS OTHERWISE SPECIFIED			