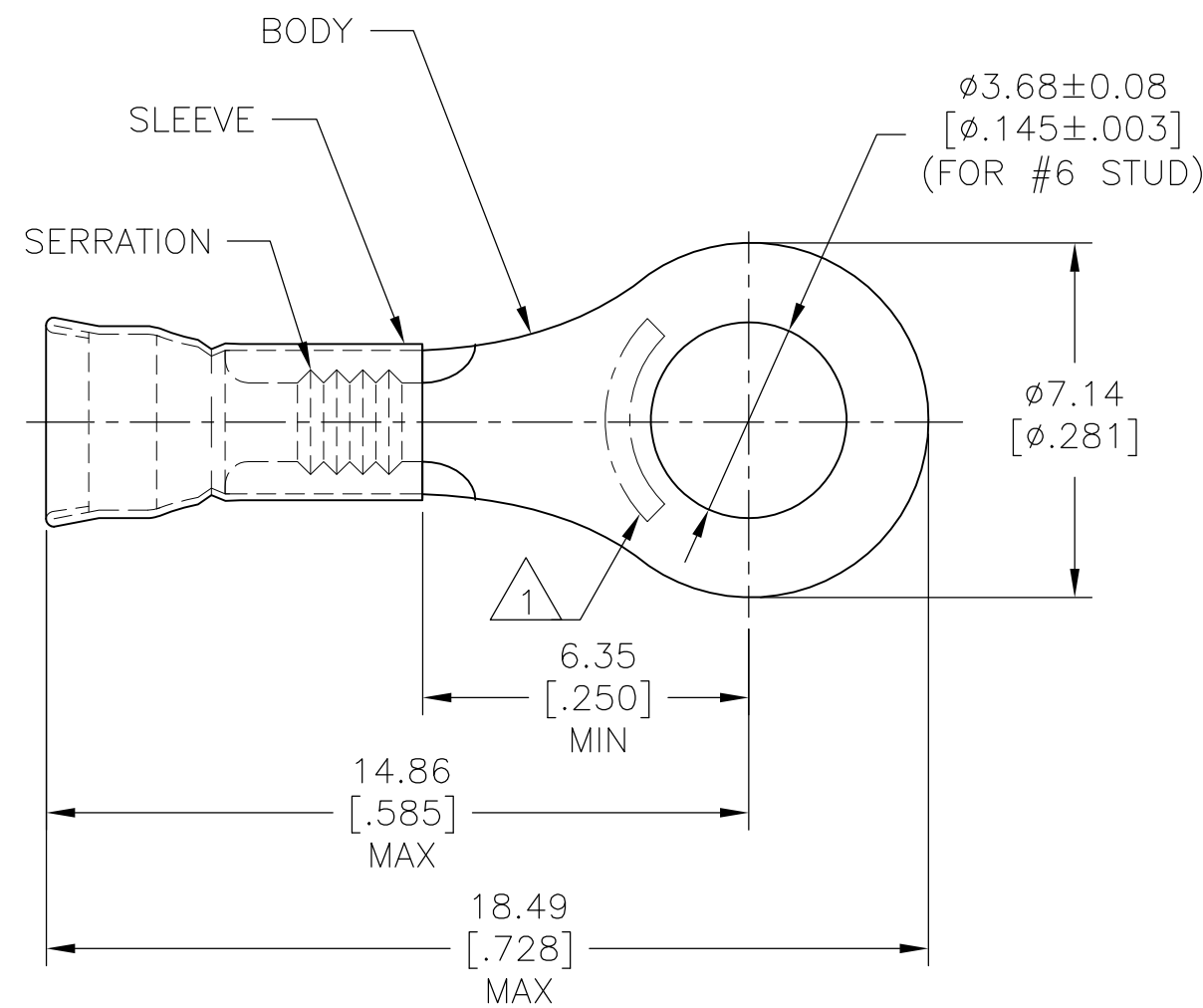


THIS DRAWING IS UNPUBLISHED. RELEASED FOR PUBLICATION
 © COPYRIGHT - By - ALL RIGHTS RESERVED.

REVISIONS					
P	LTR	DESCRIPTION	DATE	DWN	APVD
	C	REDRAWN PER 0720-0470-95	23JAN95	LO	ME
	C1	REVISED PER ECO-16-017419	15MAR2017	RS	DR

AMP WIRE RANGE	E13288	LR7189 Certified
22-16 AWG SOLID OR STRANDED	22-16 AWG SOLID OR STRANDED	22-16 AWG SOLID OR STRANDED



- 1 STAMP AMP 22-18* APPROX AS SHOWN
22-16 TERMINALS ARE STAMPED 22-18 IN
ACCORDANCE WITH MILITARY SPEC MIL-T-7928
COMMERCIAL WIRE RANGE IS 22-16.
- 2 WIRE INSUL DIA, $\phi 2.03-3.18$ [$\phi .080-.125$].
- 3 TONGUE MATL THK, 0.79 ± 0.05 [$.031\pm .002$].

1000	LOOSE PIECE	31269
QTY	PACKAGE TYPE	PART NO

AMP INCORPORATED CUSTOMER SERVICE SYSTEM		MAX RECOMMENDED OPERATING TEMPERATURE: 170°C [338°F]	THIS DRAWING IS A CONTROLLED DOCUMENT.		DWN L OLMEDA 23JAN95	TE Connectivity			
FOR ADDITIONAL PRODUCT INFORMATION OR COPIES OF DRAWINGS AND TECHNICAL DOCUMENTS	PRODUCT INFORMATION CENTER 1-800-522-6752	VOLTAGE RATING: -	DIMENSIONS: mm [INCHES]	TOLERANCES UNLESS OTHERWISE SPECIFIED:	CHK M ELLIS 23JAN95				
FOR APPLICATION TOOLING INFORMATION	TOOLING ASSISTANCE CENTER 1-800-722-1111	CIRCULAR MIL AREA: 0.26mm ² - 1.65mm ² [509-3260]		0 PLC ± - 1 PLC ± - 2 PLC ± 0.20 [.008] 3 PLC ± - 4 PLC ± - ANGLES ± -	APVD S BORTNER 23JAN95	PRODUCT SPEC UL486A			
FOR ORDER ENTRY	1-800-526-5142	MATERIAL BODY, CU, SLV, CU PER ASTM B152		FINISH TIN PLATE PER MIL-T-10727	APPLICATION SPEC -	SIZE A3	CAGE CODE 00779	DRAWING NO C-31269	RESTRICTED TO -
CUSTOMER DRAWING					WEIGHT -	SCALE 6:1	SHEET 1 OF 1	REV C1	