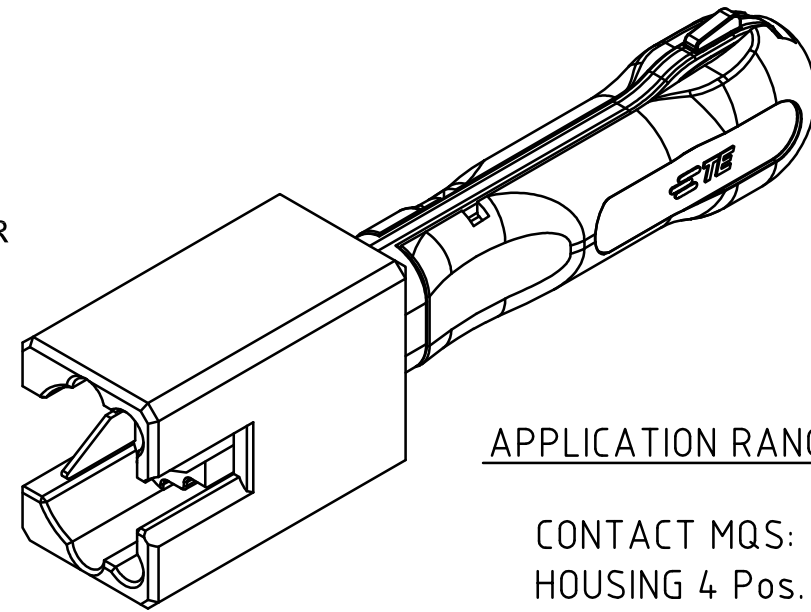
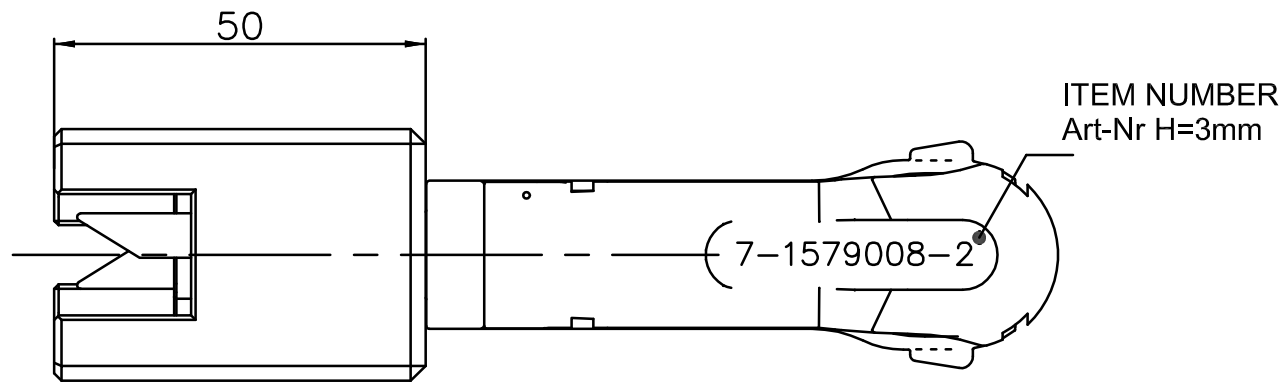
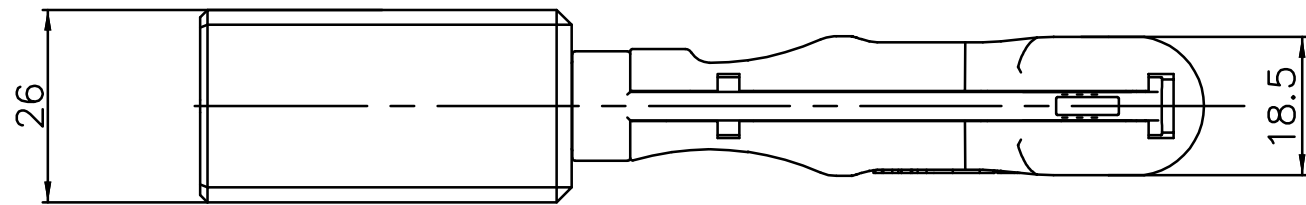
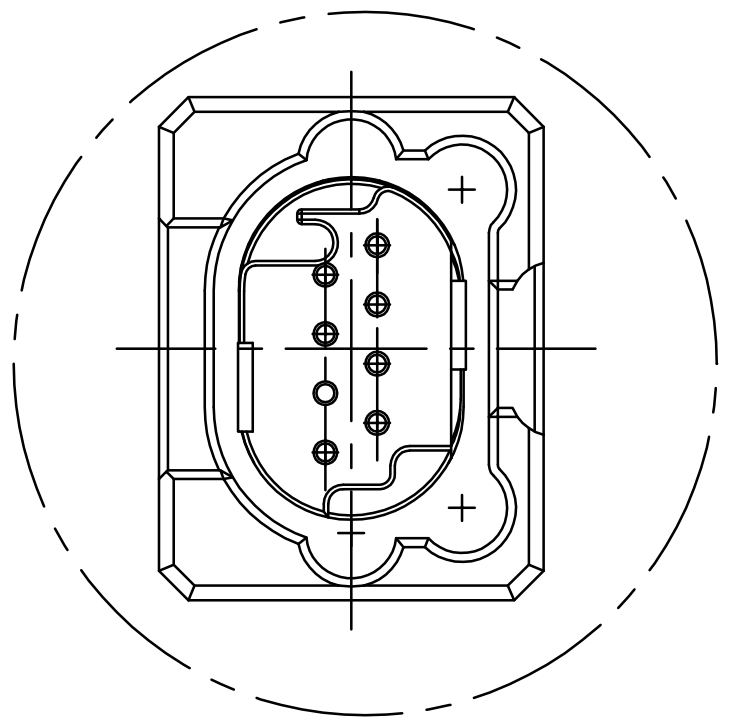
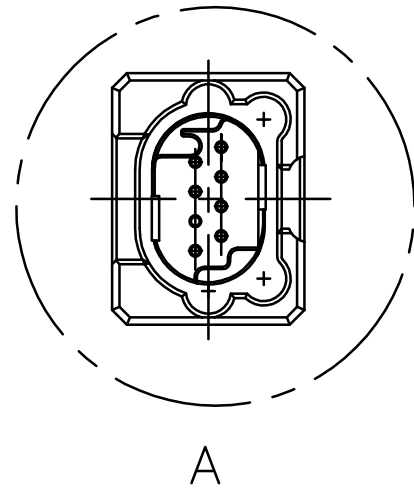
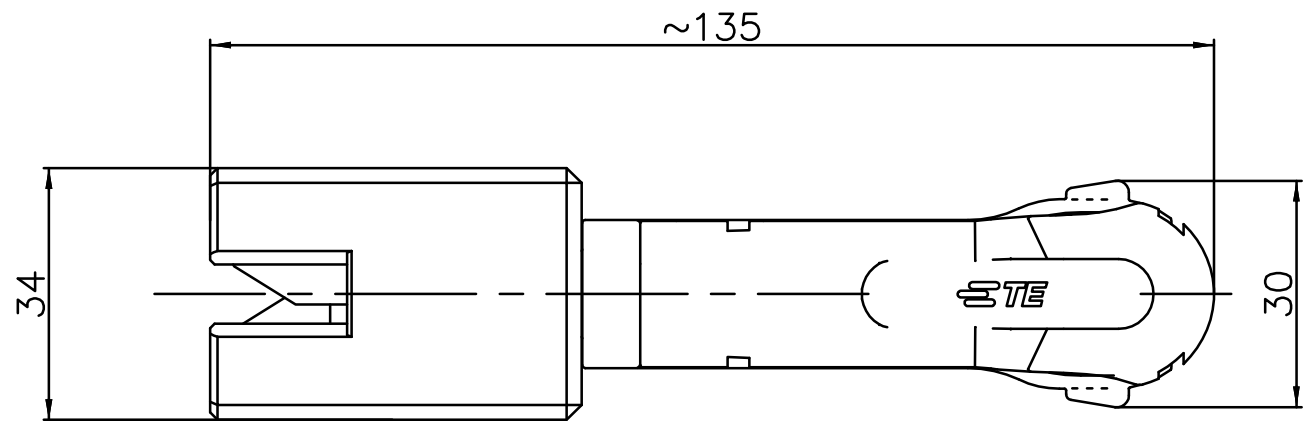



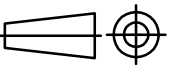
THIS DRAWING IS UNPUBLISHED. RELEASED FOR PUBLICATION
 © COPYRIGHT BY TYCO ELECTRONICS CORPORATION. ALL INTERNATIONAL RIGHTS RESERVED.

LOC	DIST	REVISIONS			
P	LTR	DESCRIPTION	DATE	DWN	APVD
—	—				
	A2	ECR-17-010394	18JUL17	MG	BM



APPLICATION RANGE / Anwendungsbereich :

CONTACT MQS: 962886, 965908
 HOUSING 4 Pos. MQS: 929342

THIS DRAWING IS A CONTROLLED DOCUMENT.		DWN	S.Samstag	05.06.2008	 TE Connectivity
DIMENSIONS: mm		CHK	G.Stegmayer	05.06.2008	
TOLERANCES UNLESS OTHERWISE SPECIFIED:		APVD	G.Stegmayer	05.06.2008	
		PRODUCT SPEC		NAME	LOCKING TOOL FOR MQS 8 POS. CLOSING SECONDARY LOCK Entriegelungswerkzeug für MQS 8 pol. schliessen zweite Kontaktsicherung
MATERIAL		FINISH		APPLICATION SPEC	
		WEIGHT	0.150 kg	SIZE	A3
		CUSTOMER DRAWING		CAGE CODE	00779
				DRAWING NO	7-1579008-2
				RESTRICTED TO	—
				SCALE	1:1
				SHEET	1 OF 1
				REV	A2