

Würth Elektronik eiSos GmbH & Co. KG

EMC & Inductive Solutions

Max-Eyth-Straße 1 · 74638 Waldenburg · Germany

Tel. +49 (0) 79 42 945-0 · Fax +49 (0) 79 42 945-400

eiSos@we-online.de · www.we-online.de



Product/Process Change Notice (PCN)

- Major change
 Minor change

PCN #: WE_UNIT_20172405

Product Affected: 750811248

PCN Date: May 24th 2017

Effective Date: August 24th 2017

Contact: Product Management

Phone: +49 (0) 7942 - 945 5001

Fax: +49 (0) 7942 - 945 5179

E-mail: pcn.eisos@we-online.de

- Product Mark
 Date Code
 Packaging
 Others

Attachment: Yes No

Samples:

DESCRIPTION AND PURPOSE OF CHANGE:

In order to enhance the product reliability process and to provide better protection during the normal transportation process, Würth Elektronik will change packaging specification of following product.

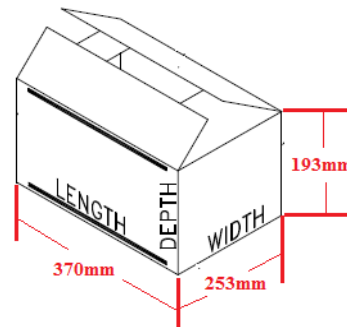
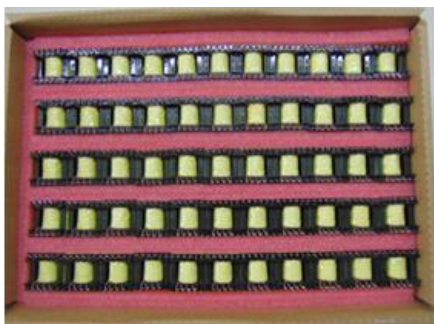
Affected Article:
 - 750811248

There will be no change in form, fit, function, quality or reliability of the product.

DETAIL OF CHANGE:

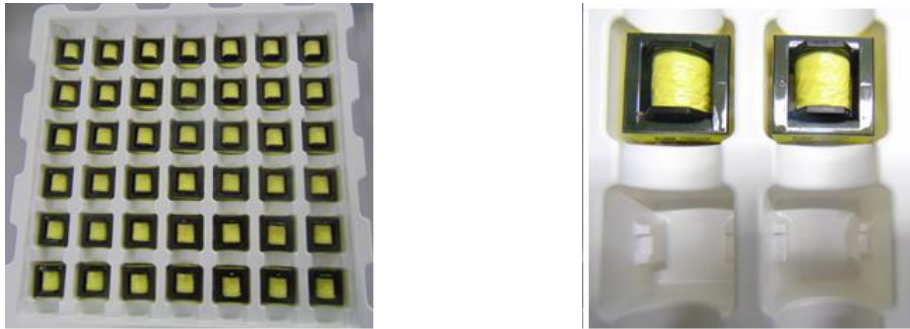
Before Change:

Packaging Quantity: Tray Quantity = 55pcs/tray, Box Quantity = 165pcs/box

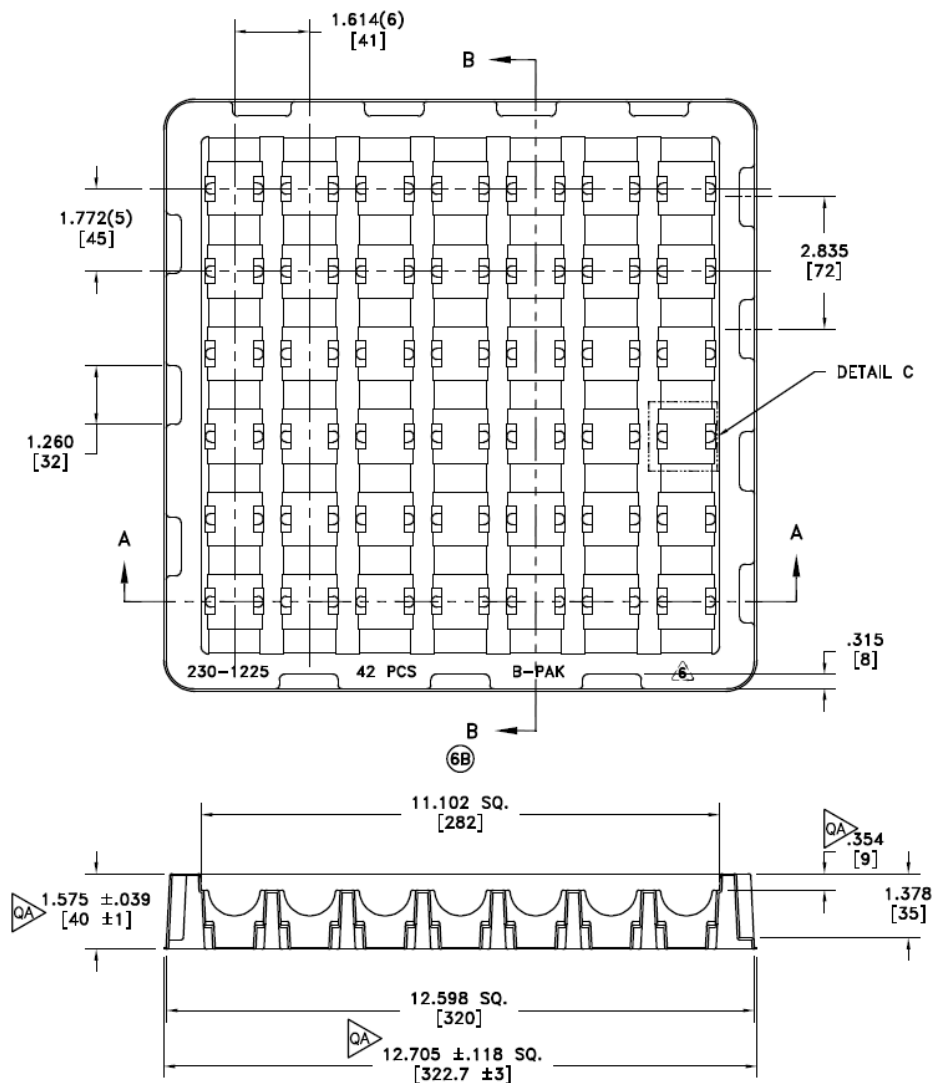


After Change:

Packaging Quantity: Tray Quantity = 42pcs/tray, Box Quantity = 210pcs/box



Tray and Box Dimension:



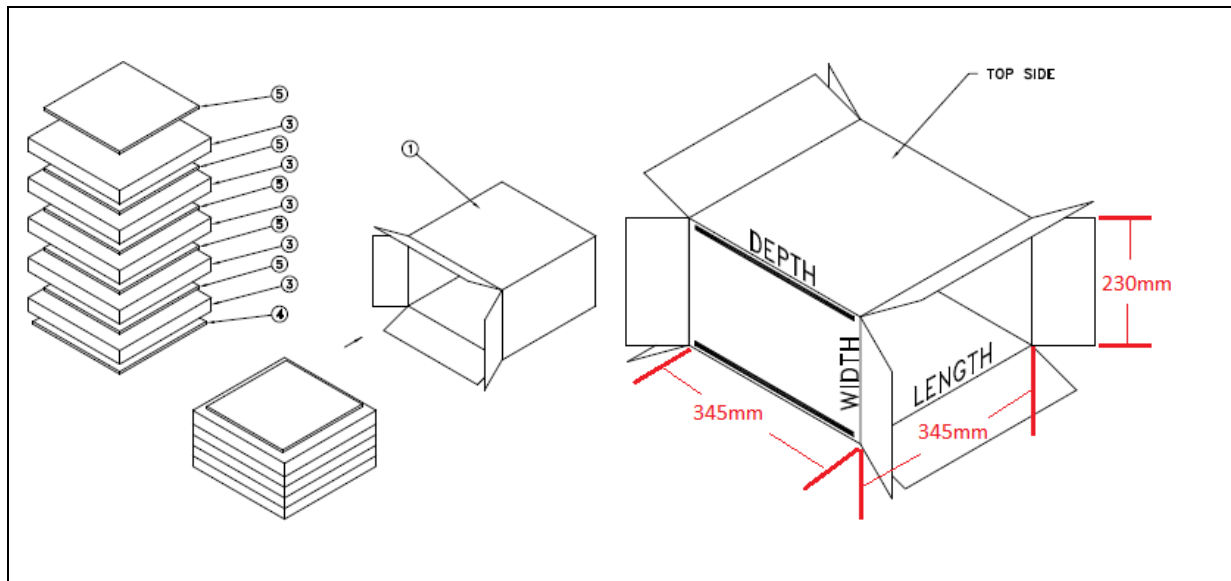
Würth Elektronik eiSos GmbH & Co. KG

EMC & Inductive Solutions

Max-Eyth-Straße 1 · 74638 Waldenburg · Germany

Tel. +49 (0) 79 42 945-0 · Fax +49 (0) 79 42 945-400

eiSos@we-online.de · www.we-online.de



RELIABILITY / QUALIFICATION SUMMARY:

Product and Machine approval is according to the specification and is internally released by the Product Management Department.

DATA SHEET CHANGE:

Yes

No