

MIC-75M40

PCIE Expansion Module for MIC-7 Series

Embedded System

Startup Manual

Packing List

Before you begin installing your card, please make sure that the following items have been shipped:

1. MIC-75M40 Module x1	P/N: MIC-75M40-00A1E
2. MIC-75M40 Startup Manual x1	P/N: 20015M4000
3. Warranty Card	P/N: 2190000902
4. SATA Cable x 1	P/N: 1700014518
5. SATA Power Cable x 1	P/N: 1700023566-02
6. Card Clamp Pad x 4	P/N: 1990024989T000
7. Wall-Mount BKT (Left) x1	P/N: 1960070545N001
8. Wall-Mount BKT (Right) x1	P/N: 1960070543N001

If any of these items are missing or damaged, please contact your distributor or sales representative immediately.

Note: Acrobat Reader is required to view any PDF file. Acrobat Reader can be downloaded at: get.adobe.com/reader (Acrobat is a trademark of Adobe)

Specifications

PCIE Slots

- One PCIe x16 socket (PCIe x8 signal)
- Note 1:** PCIex8 power consumes 35W.
- Three PCIe x4 sockets
- Note 1:** Each PCIe x4 supports 15W power consumption.
- Note 2:** MIC-75M40 does not support MIC-7300 series systems.

Storage

- Internal SATA connector: 1
- Note 1:** MIC-75M40 supports 2x2.5" HDD space and one SATA signal is from the main system.

Environment

- **Operating Temperature:**
-20 ~ 60° C with 0.7 m/sec air flow: with 1 x Industrial SSD without PC expansion boards
0 ~ 45° C with 0.7 m/sec air flow: with 1 x 2.5" HDD without PC expansion boards
- **Storage Temperature:** - 40 ~ 85° C (-40 ~ 185° F)
- **Relative Humidity:** 95% @ 40° C (non-condensing)

Mechanical

- **Dimensions (H x W x D):** 92 x 90 x 230 mm
- Note 1:** Please add a fan to the i-module if the add-on card total power consumption is over 45W.

For more information on this and other Advantech products, please visit our website at:

<http://www.advantech.com>

<http://www.advantech.com/eplatform>

For technical support and service, please visit our support website at:

<http://support.advantech.com.tw/support/default.aspx>

This manual is for the MIC-75M40 Series Rev. A1.

Part No. 20015M4000

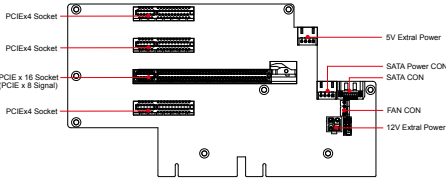
1st Edition

Printed in China

January 2016

Jumpers and Connectors

Table below lists the functions of each of the connectors.



Connectors

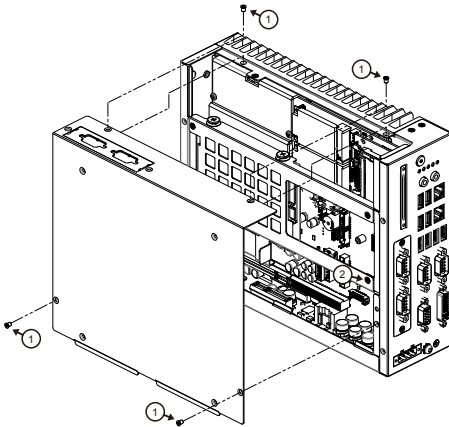
No.	Item	Function
1	SATAPWR1	SATA Power connector
2	SATA1	SATA connector
3	CPUFAN1	4 Pin FAN connector
4	PWR1	4 Pin Power connector (12V)
5	PWR2	4 Pin Power connector (5V)
6	PCIEx4 1/2/3	PCIEx4 Socket
7	PCIEx16_1	PCIEx16 Socket

Simple Maintenance Process

System Installation

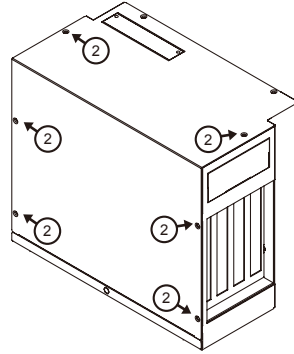
MIC-7 series i-module can assemble with all MIC-7 series IPC systems.

1. Undo MIC-7 series system screws and remove the bottom cover.

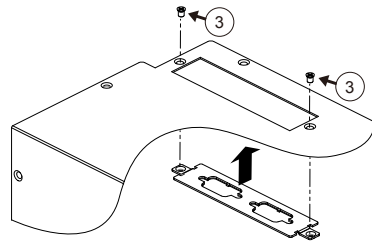


Simple Maintenance Process (Cont.)

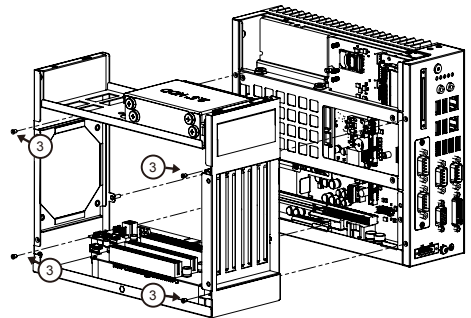
2. Undo 6x screws of MIC-75M40.



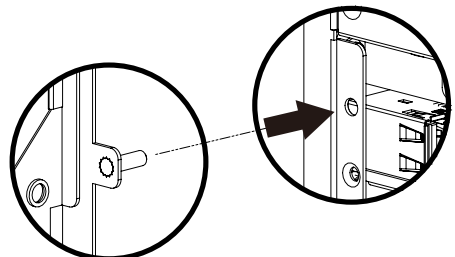
3. Remove i-door cover by MIC-7500 bottom cover and assemble and secure cover in i-module's bottom cover.



4. Assemble MIC-75M40 and MIC-7 series device and secure 4x screws.



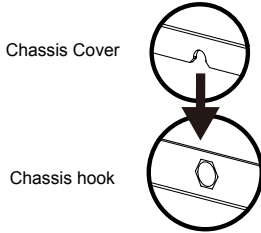
Note: MIC-75M40 has 2 bolts which must be aligned with the holes on the device.



Simple Maintenance Process (Cont.)

5. Replace the cover and secure with screws.

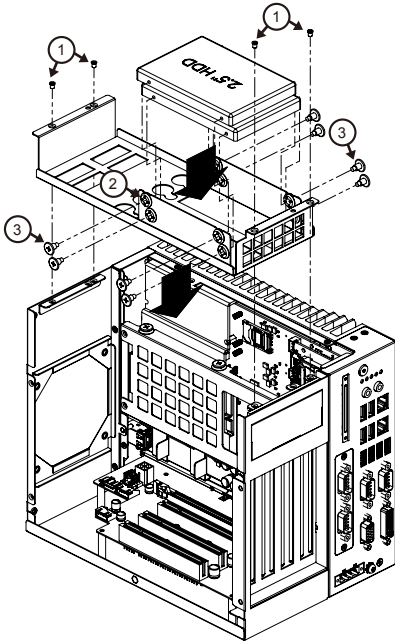
Note: Chassis cover has a notch designed in and it must mate with the hook on the chassis.



HDD Installation

MIC-75M40 supports 2 x 2.5' HDD space. You can move System HDD to i-module HDD space to make it easier to maintain.

Note: MIC-75M40 only supports one SATA HDD connector, 2nd SATA must extend from the system.



1. Undo HDD bracket.
2. Assemble 4x HDD shock rubber pad (P/N:1990008871S000) for One HDD.
3. Secure the 4xHDD screws (P/N:1930002235)
4. Assemble SATA/SATA Power cable. (Refer to MB internal I/O connector specification at next page)

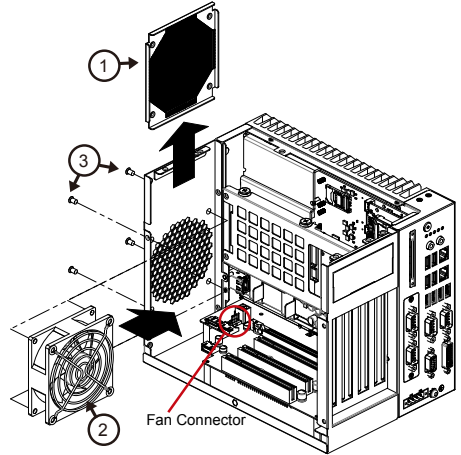
Simple Maintenance Process (Cont.)

5. Replace HDD bracket and chassis cover with screws.

FAN Installation (Optional)

MIC-75M40 supports two 4x4CM fan spaces. If you want to install high performance expansion cards, (For example: graphics or a PoE card) or total power consumption is over 45W, please install a fan for thermal issues. A fan is an optional module. If your system needs a fan module, please contact your distributor or sales representative.

Fan Module P/N: 98R1752000E.

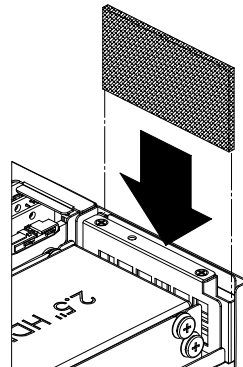


1. Undo fan cover
2. Secure fan protection nets with 4 screws.
3. Secure fan onto the chassis with 4 screws.
4. Plug the fan power cable into the connector on the backplane board.

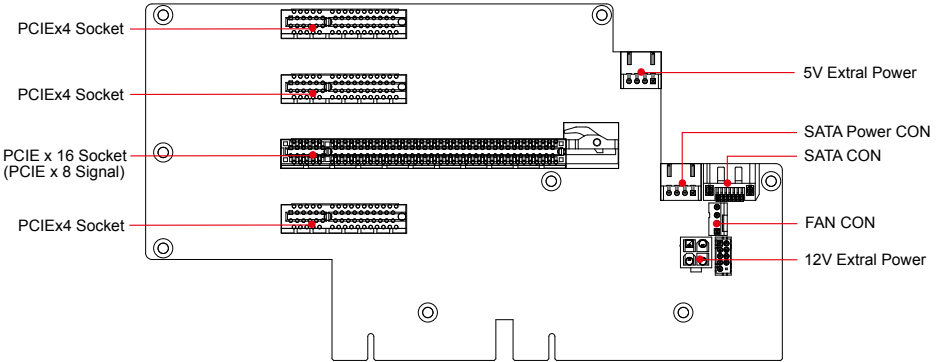
FAN Filter Installation

If your system has a fan installed, we recommend you to replace the system fan filter at regular intervals to ensure the stability of the system cooling.

1. Undo system cover and remove the old fan filter.
2. Change new fan filter and replace system cover with screws.



IO Connectors



System Dimensions

