



soberton inc.

RC DYNAMIC RECEIVER UNIT

Acoustic Product Specification

Product Number: RC-1506



Release | Revision: B/2019

CONTENTS

This document contains the technical specifications for the receiver unit.

Page 1

Receiver General Characteristics

Page 2

Reliability Tests

Page 3

Measuring Method (Speaker Mode)

Standard Test Condition of Speakers

Page 4

Frequency Response Curve

Page 5

Dimensions

Page 6

Packing

General Specifications

Sound Pressure Level

110±3dB SPL @1.0KHz, at Sine Wave 180mV with IEC318

Voice Coil Impedance

DC : 32±15% Ω

Resonance Frequency

NA

Power Rating (Normal / Maximum)

Normal: 20mW

Maximum: 30mW must be normal at a white noise for one minute

Distortion

10% Max at 1000 Hz, 0.8V

Audible Noise Test

Must be free of audible noise (buzzes & rattles)

200 ~ 3.4KHz frequency range, input level up to 20mW

Load Test

White noise (EIA filter) for 96 hours @20mV input power

Environmental Protection Regulation

RoHS 2.0

IP Level

None

Dimension

L15.0 x W6.0 x H2.3 mm



soberton inc.

RC DYNAMIC RECEIVER UNIT

Acoustic Product Specification

Product Number: RC-1506



Release | Revision: B/2019

CONTENTS

This document contains the technical specifications for the receiver unit.

Page 1

Receiver General Characteristics

Page 2

Reliability Tests

Page 3

Measuring Method (Speaker Mode)

Standard Test Condition of Speakers

Page 4

Frequency Response Curve

Page 5

Dimensions

Page 6

Packing

Reliability Tests

The sound pressure as specified will neither deviate more than $\pm 3\text{dB}$ from the initial value, nor have any significant damage after any of following testing.

High Temperature Test

High Temperature $+70\pm 2^\circ\text{C}$

Duration 96 hours

Low Temperature Test

Low Temperature $-30\pm 2^\circ\text{C}$

Duration 96 hours

Heat Shock Test

High Temperature $+70\pm 2^\circ\text{C}$

Low Temperature $-30\pm 2^\circ\text{C}$

Changeover Time < 30 seconds

Duration 1 hour

Cycles 100

Humidity Test

Temperature $+40\pm 2^\circ\text{C}$

Relative Humidity 90%~95%

Duration 96 hours

Temperature Cycle Test

Temperature -30°C $+70^\circ\text{C}$

Duration 45 minutes 45 minutes

Temperature gradient $1\sim 3^\circ\text{C}/\text{min}$

Cycle 25

Drop Test

Mounted with dummy set mass 100 g

Height 1.5 m

Cycle 6 (1 each plain) onto the concrete board

Load Test

Speaker mode: White noise (EIA filter) for 96 hours @20mV input power.



soberton inc.

RC DYNAMIC RECEIVER UNIT

Acoustic Product Specification

Product Number: RC-1506



Release | Revision: B/2019

CONTENTS

This document contains the technical specifications for the receiver unit.

Page 1
Receiver General Characteristics

Page 2
Reliability Tests

Page 3
Measuring Method (Speaker Mode)

Standard Test Condition of Speakers

Page 4
Frequency Response Curve

Page 5
Dimensions

Page 6
Packing

Measuring Method (Speaker Mode)

Standard Test Condition

Temperature 15 ~ 35°C

Relative humidity 45% ~ 85%

Atmospheric pressure 860mbar to 1060mbar

Standard Test Fixture

Input Power 179mW

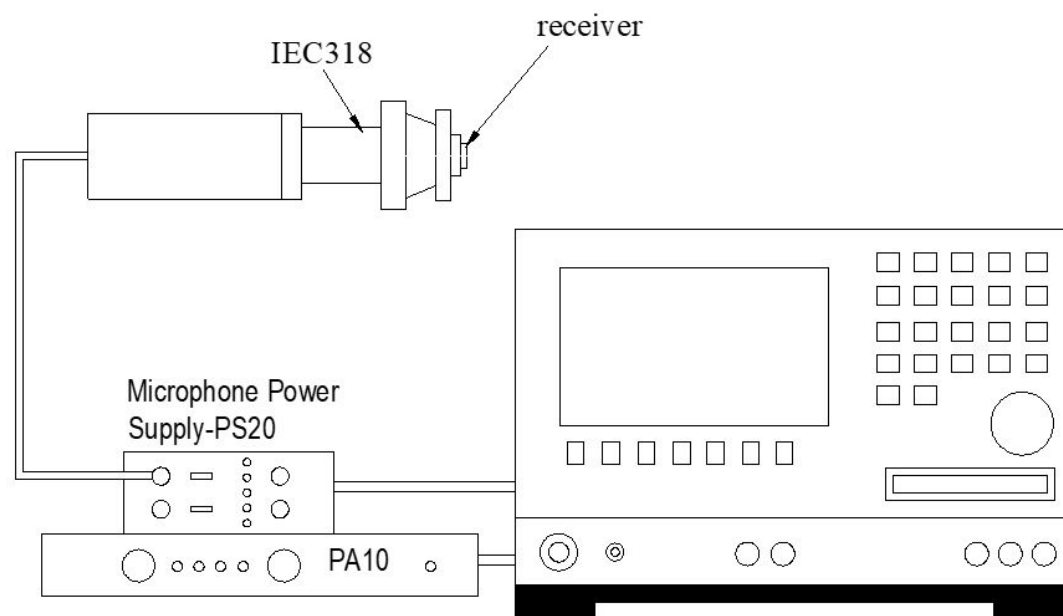
Zero Level -dB

Mode TSR

Potentiometer Range 50dB

Sweep Time 0.5sec

Standard Test Condition of Speaker



Audio Analyzer Sound check 11.1



soberton inc.

RC DYNAMIC RECEIVER UNIT

Acoustic Product Specification

Product Number: RC-1506



Release | Revision: B/2019

CONTENTS

This document contains the technical specifications for the receiver unit.

Page 1

Receiver General Characteristics

Page 2

Reliability Tests

Page 3

Measuring Method (Speaker Mode)

Standard Test Condition of Speakers

Page 4

Frequency Response Curve

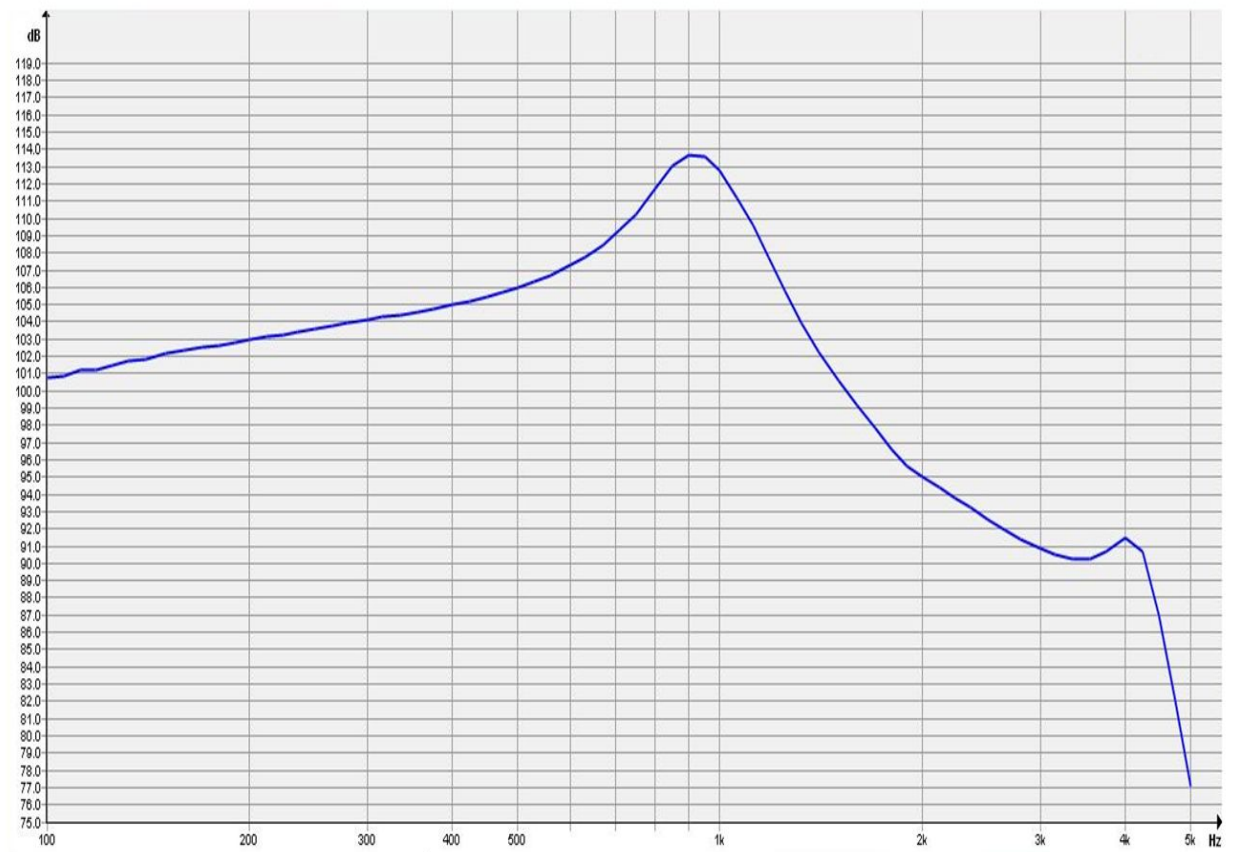
Page 5

Dimensions

Page 6

Packing

Frequency Response Curve (Fig. 2)





soberton inc.

RC DYNAMIC RECEIVER UNIT

Acoustic Product Specification

Product Number: RC-1506



Release | Revision: B/2019

CONTENTS

This document contains the technical specifications for the receiver unit.

Page 1

Receiver General Characteristics

Page 2

Reliability Tests

Page 3

Measuring Method (Speaker Mode)

Standard Test Condition of Speakers

Page 4

Frequency Response Curve

Page 5

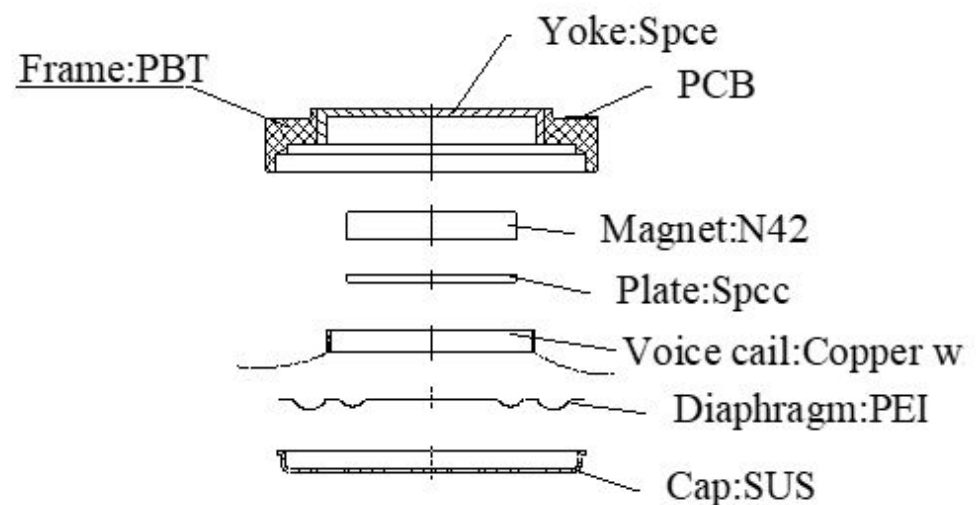
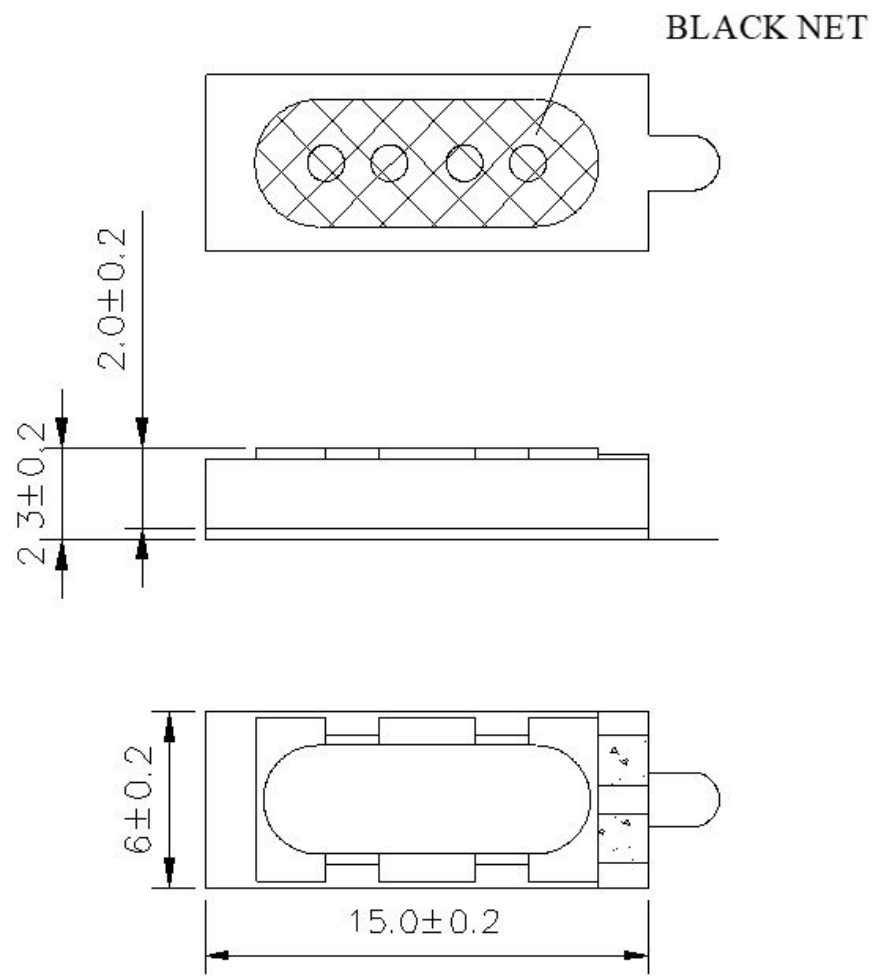
Dimensions

Page 6

Packing

Dimensions

Tolerance: ± 0.5 (unit: mm)



No.	Part Name	Material	Quantity
1	PCB	FR-4	1
2	Frame	PBT	1
3	Magnet	NdFeB	1
4	Plate	SPCC	1
5	Voice Coil	Cu	1
6	Membrane	PEI	1
7	Cap	SUS	1
8	Gasket	Black Net	1



soberton inc.

RC DYNAMIC RECEIVER UNIT

Acoustic Product Specification

Product Number: RC-1506



Release | Revision: B/2019

CONTENTS

This document contains the technical specifications for the receiver unit.

Page 1

Receiver General Characteristics

Page 2

Reliability Tests

Page 3

Measuring Method (Speaker Mode)

Standard Test Condition of Speakers

Page 4

Frequency Response Curve

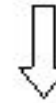
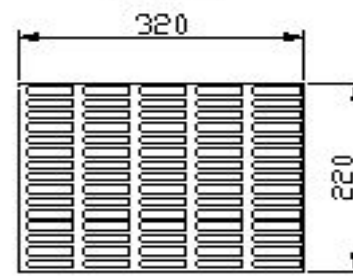
Page 5

Dimensions

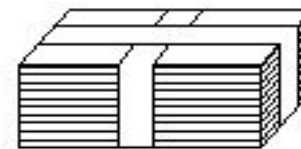
Page 6

Packing

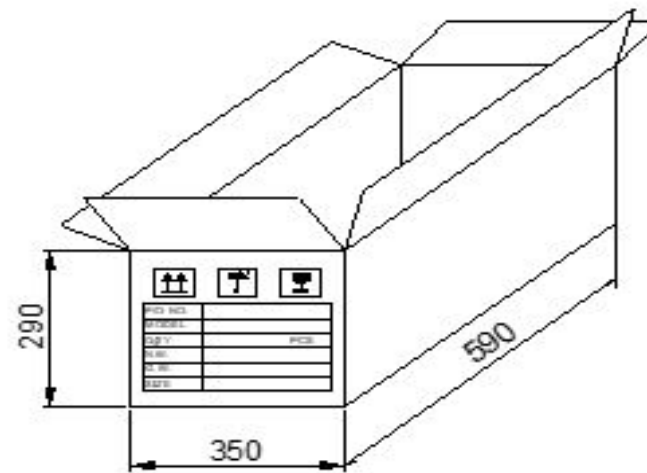
Packing



150 x 10 = 1,500 pcs



1,500 x 5 = 7,500 pcs



Packing Information

Unit: mm

Per Tray: 150pcs

Per Bundle: 10 trays x 150 pcs = 1,500pcs

Per Carton: 5 x 1,500 pcs = 7,500pcs

Carton Size: 590 x 350 x 290mm