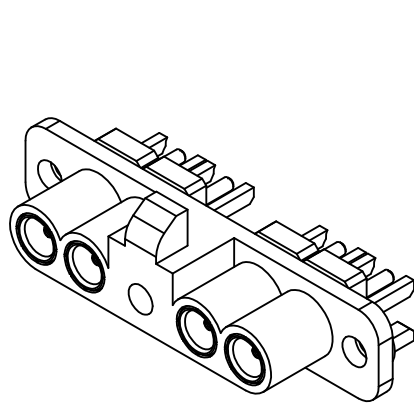


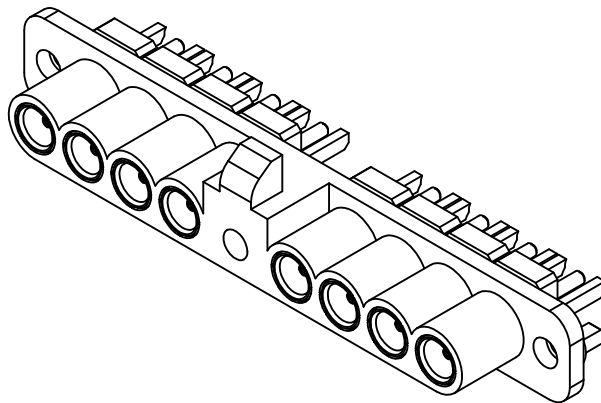
MATERIALS AND FINISHES

SSMCX JACK: (P/N: 73413-6110)
SEE SD-73413-611

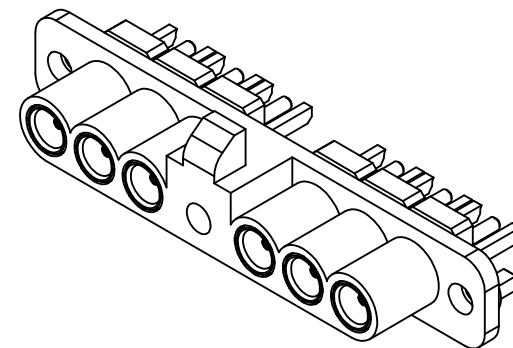
BLOCKS:
89523-0700: HIGH TEMP NYLON
89523-0900: HIGH TEMP NYLON
89530-5700: HIGH TEMP NYLON



SHEET 2



SHEET 3



SHEET 4

73358-0272	73413-6110 X 6 & 89530-5700 BLOCK	4
73358-0271	73413-6110 X 8 & 89523-0900 BLOCK	3
73358-0270	73413-6110 X 4 & 89523-0700 BLOCK	2
PART NO.	DESCRIPTION	SHEET NO.

CHG: ADDED SHEET 4 FOR 6 PORT VERSION.

EC NO: URF2010-0385
DRAWN: ROBERTSON 2009/12/29
CHKD: SSS 2010/01/04
APPR: JWIENER 2010/01/04

DESCRIPTION

REV A1

QUALITY SYMBOLS

▽=0

▽=0

GENERAL TOLERANCES (UNLESS SPECIFIED)

	mm	INCH
4 PLACES	± .005	± .0004
3 PLACES	± .008	± .0006
2 PLACES	± .015	± .0012
1 PLACE	± .030	± .0024

ANGULAR ± 2 °

DRAFT WHERE APPLICABLE MUST REMAIN WITHIN DIMENSIONS

DIMENSION STYLE

MM/IN

DRAWN BY	DATE
JYL	2009/06/19
CHECKED BY	DATE
SSS	2009/06/19
APPROVED BY	DATE
JDW	2009/06/19

MATERIAL NO. SEE TABLE

SIZE C

SCALE

DESIGN UNITS

METRIC

THIRD ANGLE PROJECTION

TITLE

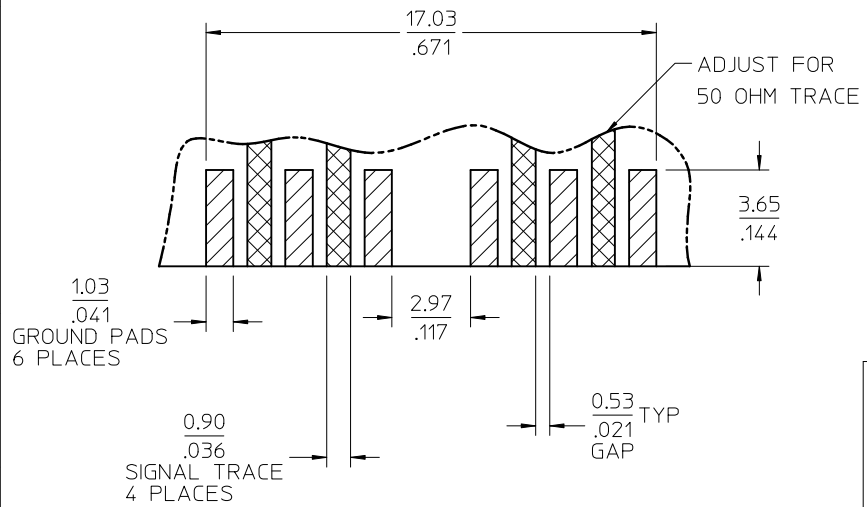
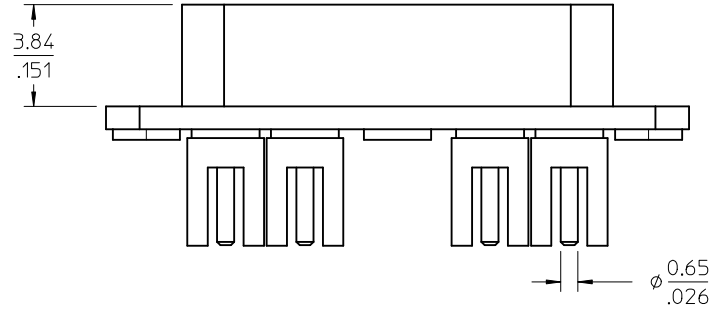
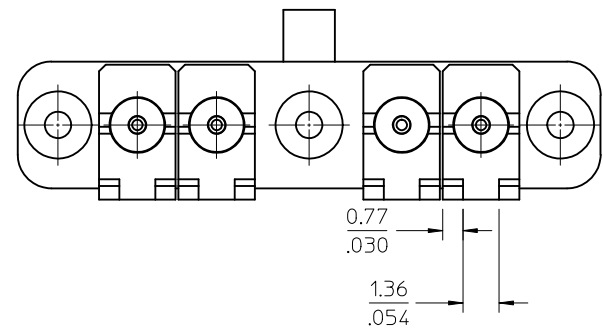
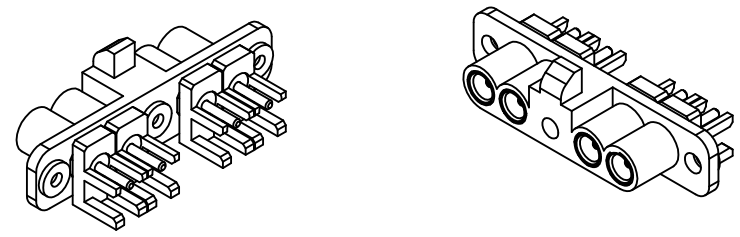
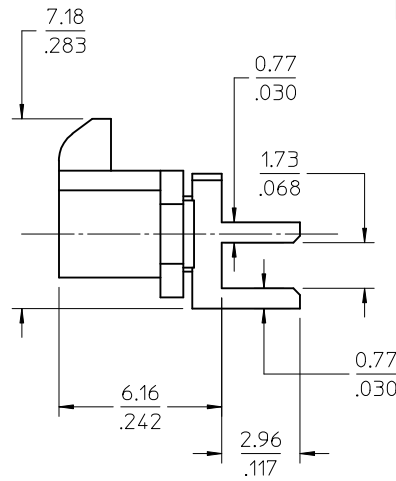
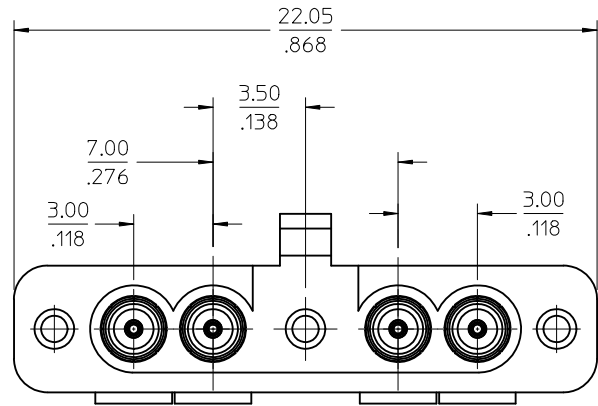
GANG 4/6/8 SSMCX J PCB
LF EDGE LAUNCH 50 OHM
SSMCX-J/PCB, EWR-4129

MOLEX MOLEX INCORPORATED

DOCUMENT NO. SD-73358-027

SHEET NO. 1 OF 4

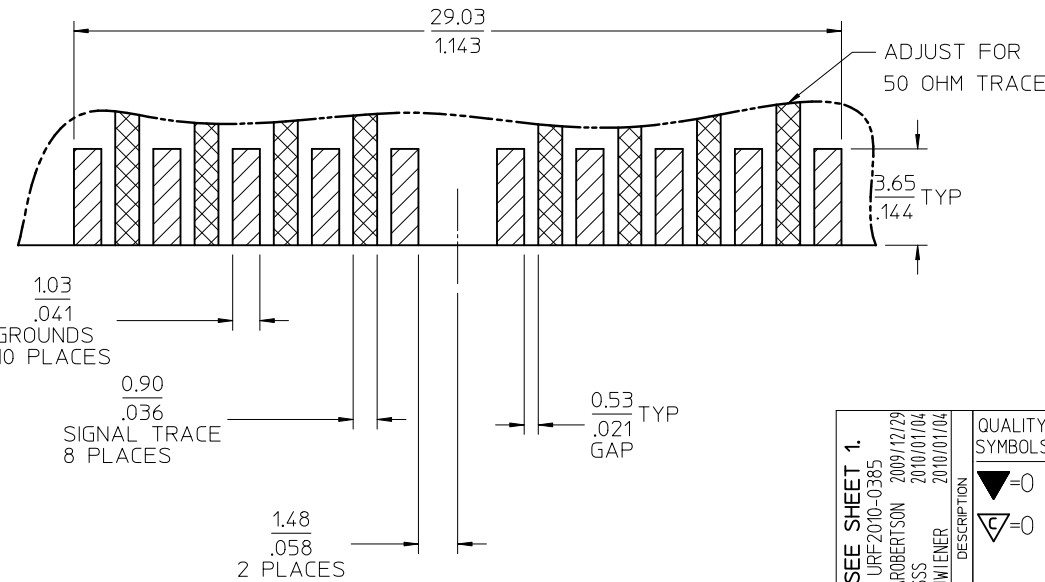
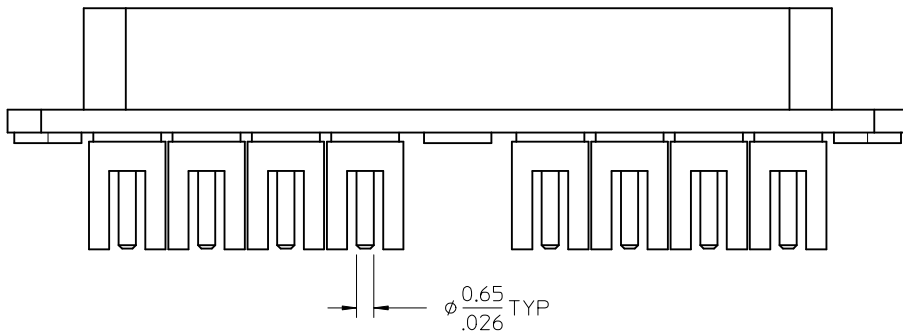
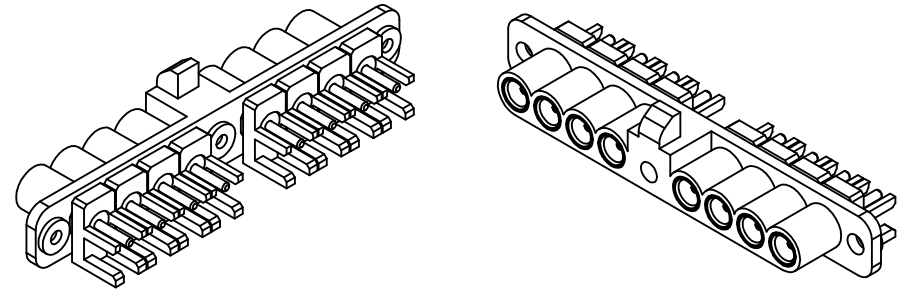
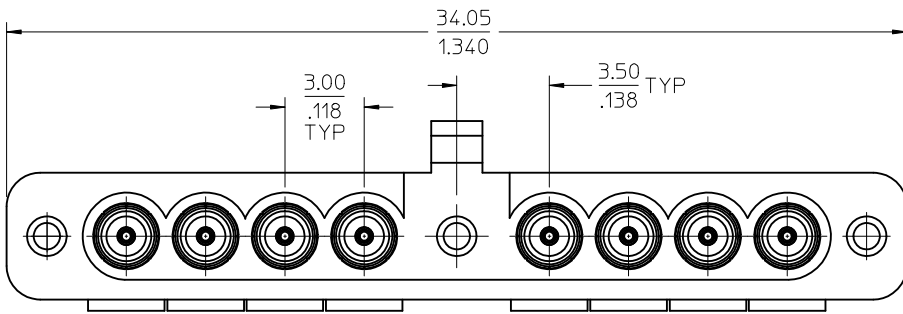
THIS DRAWING CONTAINS INFORMATION THAT IS PROPRIETARY TO MOLEX INCORPORATED AND SHOULD NOT BE USED WITHOUT WRITTEN PERMISSION



73358-0270	73413-6110 X 4 IN 89523-0700
PART NO.	DESCRIPTION

CHG: SEE SHEET 1. EC NO: URF2010-0385 DRWN:ROBERTSON 2009/12/29 CHKD:SSS 2010/01/04 APPR:JWIENER 2010/01/04	QUALITY SYMBOLS ▽=0 ▽=0	GENERAL TOLERANCES (UNLESS SPECIFIED)		DIMENSION STYLE MM/IN	SCALE METRIC	DESIGN UNITS METRIC	THIRD ANGLE PROJECTION
		4 PLACES ± --- ± --- 3 PLACES ± --- ± --- 2 PLACES ± --- ± --- 1 PLACE ± --- ± --- ANGULAR ± 2 °	DRAWN BY JYL 2009/06/19	CHECKED BY SSS 2009/06/19	APPROVED BY JDW 2009/06/19	MATERIAL NO. 733580270	TITLE GANG 4/6/8 SSMCX J PCB LF EDGE LAUNCH 50 OHM SSMCX-J/PCB, EWR-4129
A1	REV	DRAFT WHERE APPLICABLE MUST REMAIN WITHIN DIMENSIONS		THIS DRAWING CONTAINS INFORMATION THAT IS PROPRIETARY TO MOLEX INCORPORATED AND SHOULD NOT BE USED WITHOUT WRITTEN PERMISSION			

SUGGESTED BOARD LAYOUT

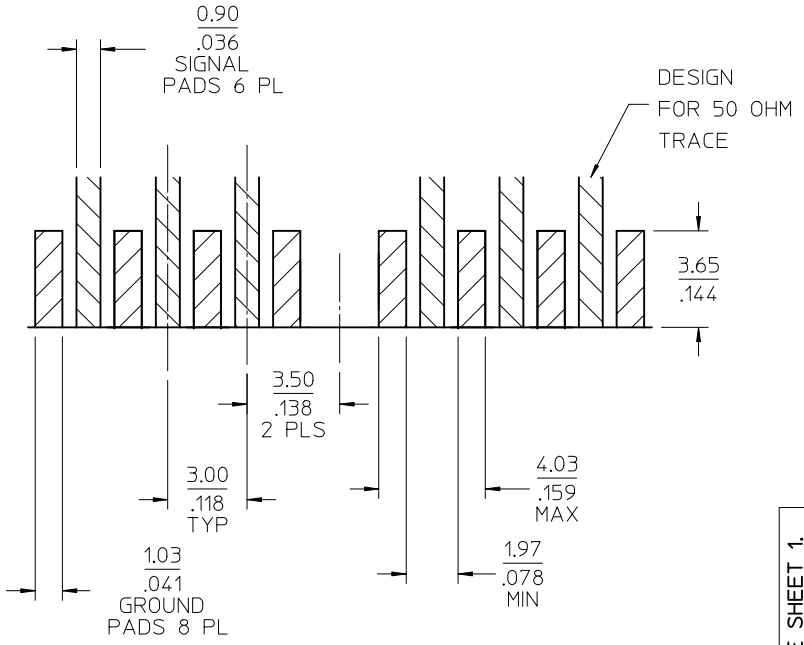
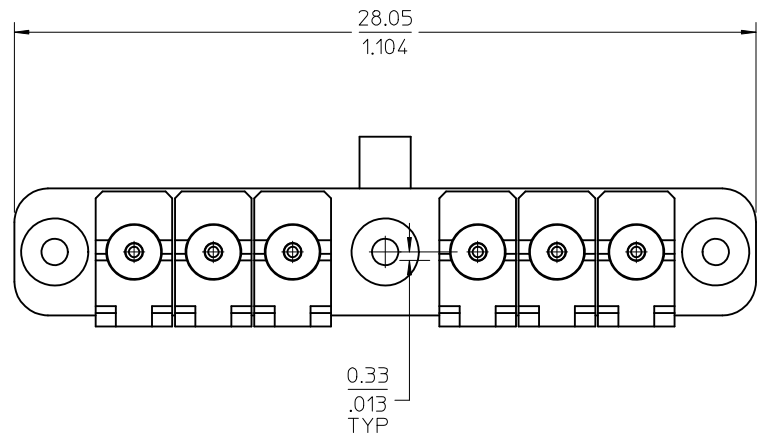
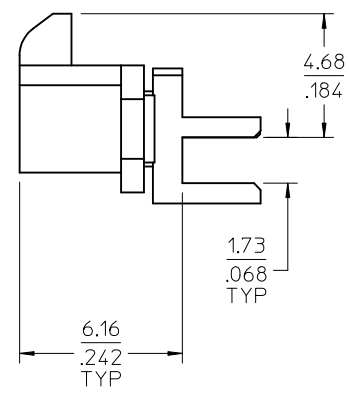
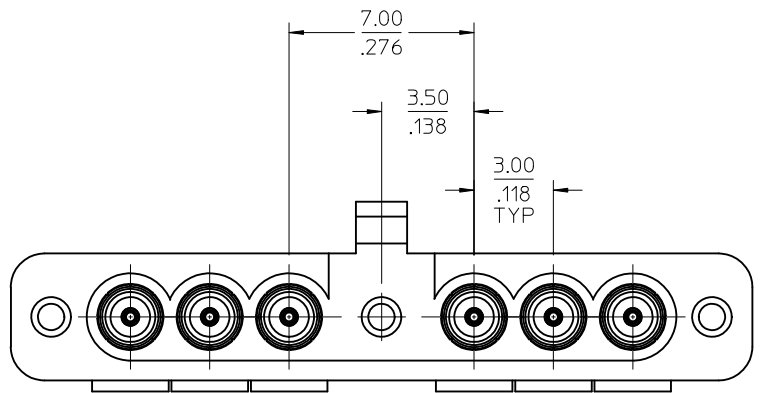
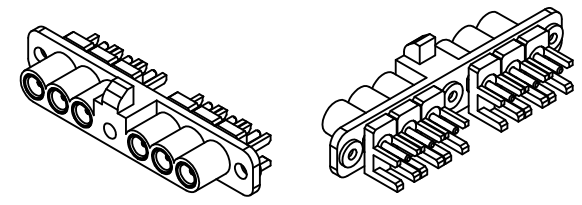


SUGGESTED BOARD LAYOUT

73358-0271	73413-6110 X 8 IN 89523-0900																																																																	
PART NO.	DESCRIPTION																																																																	
<table border="1"> <tr> <td>GENERAL TOLERANCES (UNLESS SPECIFIED)</td> <td>DIMENSION STYLE</td> <td>SCALE</td> <td>DESIGN UNITS</td> <td>THIRD ANGLE PROJECTION</td> </tr> <tr> <td> <table border="1"> <tr> <th></th> <th>mm</th> <th>INCH</th> </tr> <tr> <td>4 PLACES</td> <td>± .005</td> <td>± .0005</td> </tr> <tr> <td>3 PLACES</td> <td>± .004</td> <td>± .0004</td> </tr> <tr> <td>2 PLACES</td> <td>± .003</td> <td>± .0003</td> </tr> <tr> <td>1 PLACE</td> <td>± .002</td> <td>± .0002</td> </tr> </table> </td> <td>MM/IN</td> <td>METRIC</td> <td> </td> </tr> <tr> <td colspan="2"> <table border="1"> <tr> <th>QUALITY SYMBOLS</th> <th>DESCRIPTION</th> </tr> <tr> <td></td> <td>=0</td> </tr> <tr> <td></td> <td>=0</td> </tr> </table> </td> <td colspan="2"> <table border="1"> <tr> <td>DRAWN BY</td> <td>DATE</td> <td>TITLE</td> </tr> <tr> <td>JYL</td> <td>2009/06/19</td> <td>GANG 4/6/8 SSMCX J PCB</td> </tr> <tr> <td>CHECKED BY</td> <td>DATE</td> <td>LF EDGE LAUNCH 50 OHM</td> </tr> <tr> <td>SSS</td> <td>2009/06/19</td> <td>SSMCX-J/PCB, EWR-4129</td> </tr> <tr> <td>APPROVED BY</td> <td>DATE</td> <td></td> </tr> <tr> <td>JDW</td> <td>2009/06/19</td> <td></td> </tr> </table> </td> </tr> <tr> <td colspan="2"> <table border="1"> <tr> <td>MATERIAL NO.</td> <td>DOCUMENT NO.</td> <td>SHEET NO.</td> </tr> <tr> <td>733580271</td> <td>SD-73358-027</td> <td>3 OF 4</td> </tr> </table> </td> </tr> <tr> <td colspan="5"> THIS DRAWING CONTAINS INFORMATION THAT IS PROPRIETARY TO MOLEX INCORPORATED AND SHOULD NOT BE USED WITHOUT WRITTEN PERMISSION </td> </tr> </table>		GENERAL TOLERANCES (UNLESS SPECIFIED)	DIMENSION STYLE	SCALE	DESIGN UNITS	THIRD ANGLE PROJECTION	<table border="1"> <tr> <th></th> <th>mm</th> <th>INCH</th> </tr> <tr> <td>4 PLACES</td> <td>± .005</td> <td>± .0005</td> </tr> <tr> <td>3 PLACES</td> <td>± .004</td> <td>± .0004</td> </tr> <tr> <td>2 PLACES</td> <td>± .003</td> <td>± .0003</td> </tr> <tr> <td>1 PLACE</td> <td>± .002</td> <td>± .0002</td> </tr> </table>		mm	INCH	4 PLACES	± .005	± .0005	3 PLACES	± .004	± .0004	2 PLACES	± .003	± .0003	1 PLACE	± .002	± .0002	MM/IN	METRIC		<table border="1"> <tr> <th>QUALITY SYMBOLS</th> <th>DESCRIPTION</th> </tr> <tr> <td></td> <td>=0</td> </tr> <tr> <td></td> <td>=0</td> </tr> </table>		QUALITY SYMBOLS	DESCRIPTION		=0		=0	<table border="1"> <tr> <td>DRAWN BY</td> <td>DATE</td> <td>TITLE</td> </tr> <tr> <td>JYL</td> <td>2009/06/19</td> <td>GANG 4/6/8 SSMCX J PCB</td> </tr> <tr> <td>CHECKED BY</td> <td>DATE</td> <td>LF EDGE LAUNCH 50 OHM</td> </tr> <tr> <td>SSS</td> <td>2009/06/19</td> <td>SSMCX-J/PCB, EWR-4129</td> </tr> <tr> <td>APPROVED BY</td> <td>DATE</td> <td></td> </tr> <tr> <td>JDW</td> <td>2009/06/19</td> <td></td> </tr> </table>		DRAWN BY	DATE	TITLE	JYL	2009/06/19	GANG 4/6/8 SSMCX J PCB	CHECKED BY	DATE	LF EDGE LAUNCH 50 OHM	SSS	2009/06/19	SSMCX-J/PCB, EWR-4129	APPROVED BY	DATE		JDW	2009/06/19		<table border="1"> <tr> <td>MATERIAL NO.</td> <td>DOCUMENT NO.</td> <td>SHEET NO.</td> </tr> <tr> <td>733580271</td> <td>SD-73358-027</td> <td>3 OF 4</td> </tr> </table>		MATERIAL NO.	DOCUMENT NO.	SHEET NO.	733580271	SD-73358-027	3 OF 4	THIS DRAWING CONTAINS INFORMATION THAT IS PROPRIETARY TO MOLEX INCORPORATED AND SHOULD NOT BE USED WITHOUT WRITTEN PERMISSION				
GENERAL TOLERANCES (UNLESS SPECIFIED)	DIMENSION STYLE	SCALE	DESIGN UNITS	THIRD ANGLE PROJECTION																																																														
<table border="1"> <tr> <th></th> <th>mm</th> <th>INCH</th> </tr> <tr> <td>4 PLACES</td> <td>± .005</td> <td>± .0005</td> </tr> <tr> <td>3 PLACES</td> <td>± .004</td> <td>± .0004</td> </tr> <tr> <td>2 PLACES</td> <td>± .003</td> <td>± .0003</td> </tr> <tr> <td>1 PLACE</td> <td>± .002</td> <td>± .0002</td> </tr> </table>		mm	INCH	4 PLACES	± .005	± .0005	3 PLACES	± .004	± .0004	2 PLACES	± .003	± .0003	1 PLACE	± .002	± .0002	MM/IN	METRIC																																																	
	mm	INCH																																																																
4 PLACES	± .005	± .0005																																																																
3 PLACES	± .004	± .0004																																																																
2 PLACES	± .003	± .0003																																																																
1 PLACE	± .002	± .0002																																																																
<table border="1"> <tr> <th>QUALITY SYMBOLS</th> <th>DESCRIPTION</th> </tr> <tr> <td></td> <td>=0</td> </tr> <tr> <td></td> <td>=0</td> </tr> </table>		QUALITY SYMBOLS	DESCRIPTION		=0		=0	<table border="1"> <tr> <td>DRAWN BY</td> <td>DATE</td> <td>TITLE</td> </tr> <tr> <td>JYL</td> <td>2009/06/19</td> <td>GANG 4/6/8 SSMCX J PCB</td> </tr> <tr> <td>CHECKED BY</td> <td>DATE</td> <td>LF EDGE LAUNCH 50 OHM</td> </tr> <tr> <td>SSS</td> <td>2009/06/19</td> <td>SSMCX-J/PCB, EWR-4129</td> </tr> <tr> <td>APPROVED BY</td> <td>DATE</td> <td></td> </tr> <tr> <td>JDW</td> <td>2009/06/19</td> <td></td> </tr> </table>		DRAWN BY	DATE	TITLE	JYL	2009/06/19	GANG 4/6/8 SSMCX J PCB	CHECKED BY	DATE	LF EDGE LAUNCH 50 OHM	SSS	2009/06/19	SSMCX-J/PCB, EWR-4129	APPROVED BY	DATE		JDW	2009/06/19																																								
QUALITY SYMBOLS	DESCRIPTION																																																																	
	=0																																																																	
	=0																																																																	
DRAWN BY	DATE	TITLE																																																																
JYL	2009/06/19	GANG 4/6/8 SSMCX J PCB																																																																
CHECKED BY	DATE	LF EDGE LAUNCH 50 OHM																																																																
SSS	2009/06/19	SSMCX-J/PCB, EWR-4129																																																																
APPROVED BY	DATE																																																																	
JDW	2009/06/19																																																																	
<table border="1"> <tr> <td>MATERIAL NO.</td> <td>DOCUMENT NO.</td> <td>SHEET NO.</td> </tr> <tr> <td>733580271</td> <td>SD-73358-027</td> <td>3 OF 4</td> </tr> </table>		MATERIAL NO.	DOCUMENT NO.	SHEET NO.	733580271	SD-73358-027	3 OF 4																																																											
MATERIAL NO.	DOCUMENT NO.	SHEET NO.																																																																
733580271	SD-73358-027	3 OF 4																																																																
THIS DRAWING CONTAINS INFORMATION THAT IS PROPRIETARY TO MOLEX INCORPORATED AND SHOULD NOT BE USED WITHOUT WRITTEN PERMISSION																																																																		

CHG: SEE SHEET 1.	EC NO: URF2010-0385	DRWN: ROBERTSON	2009/12/29
	CHKD: SSS	APP: JMIENER	2010/01/04
A1			

DRAFT WHERE APPLICABLE MUST REMAIN WITHIN DIMENSIONS



73358-0272	73413-6110 X 6 IN 89530-5700 BLOCK
PART NO.	DESCRIPTION

CHG: SEE SHEET 1. EC NO: URF2010-0385 DRWN: ROBERTSON 2009/12/29 CHKD: SSS 2010/01/04 APPR: JWIENER 2010/01/04 REV: A1	QUALITY SYMBOLS ▽=0 ▽=0	GENERAL TOLERANCES (UNLESS SPECIFIED) <table border="1"> <tr> <th></th> <th>mm</th> <th>INCH</th> </tr> <tr> <td>4 PLACES</td> <td>± .005</td> <td>± .0005</td> </tr> <tr> <td>3 PLACES</td> <td>± .005</td> <td>± .0005</td> </tr> <tr> <td>2 PLACES</td> <td>± .005</td> <td>± .0005</td> </tr> <tr> <td>1 PLACE</td> <td>± .005</td> <td>± .0005</td> </tr> </table>		mm	INCH	4 PLACES	± .005	± .0005	3 PLACES	± .005	± .0005	2 PLACES	± .005	± .0005	1 PLACE	± .005	± .0005	DIMENSION STYLE MM/IN	SCALE METRIC	DESIGN UNITS METRIC	THIRD ANGLE PROJECTION
		mm	INCH																		
	4 PLACES	± .005	± .0005																		
	3 PLACES	± .005	± .0005																		
2 PLACES	± .005	± .0005																			
1 PLACE	± .005	± .0005																			
DRAFT WHERE APPLICABLE MUST REMAIN WITHIN DIMENSIONS		DRAWN BY JYL 2009/06/19	DATE 2009/06/19	TITLE GANG 4/6/8 SSMCX J PCB LF EDGE LAUNCH 50 OHM SSMCX-J/PCB, EWR-4129																	
		CHECKED BY SSS 2009/06/19	DATE 2009/06/19	MOLEX INCORPORATED																	
		APPROVED BY JDW 2009/06/19	DATE 2009/06/19	MATERIAL NO. 733580272	DOCUMENT NO. SD-73358-027	SHEET NO. 4 OF 4															