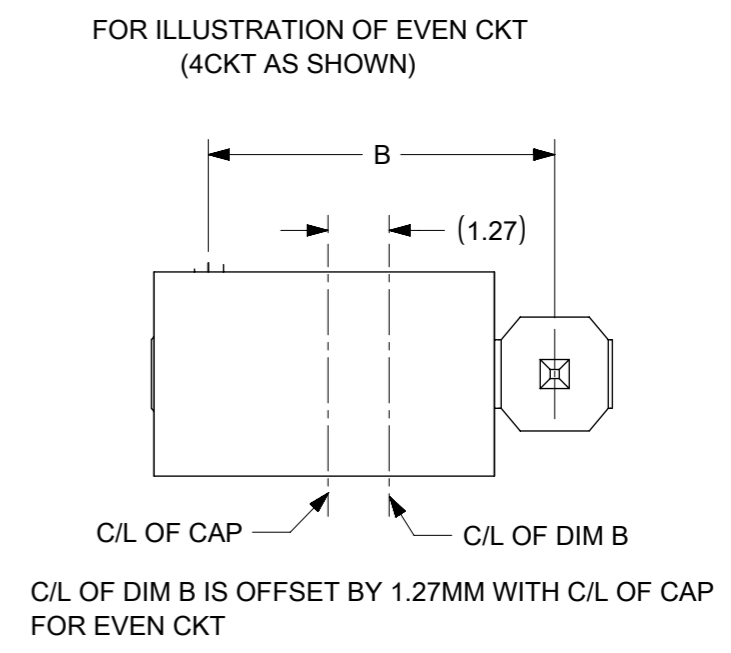
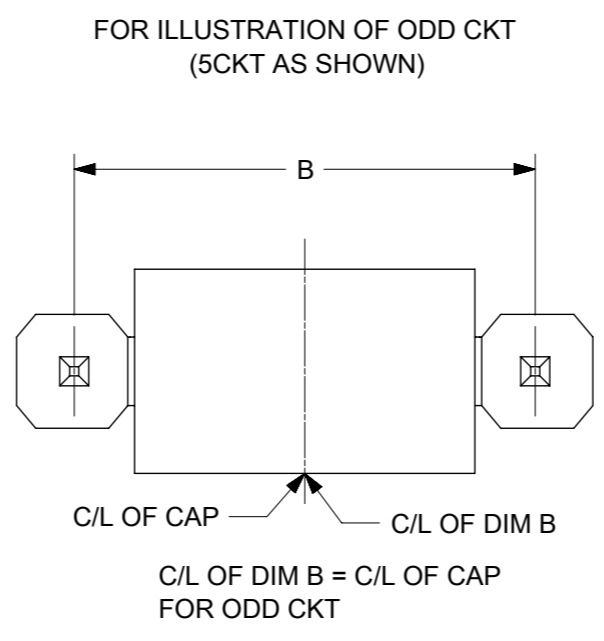
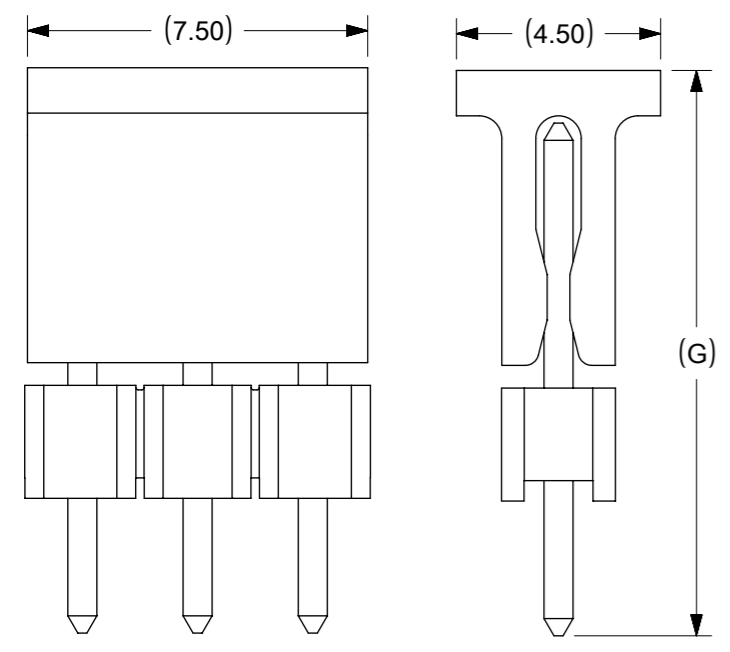


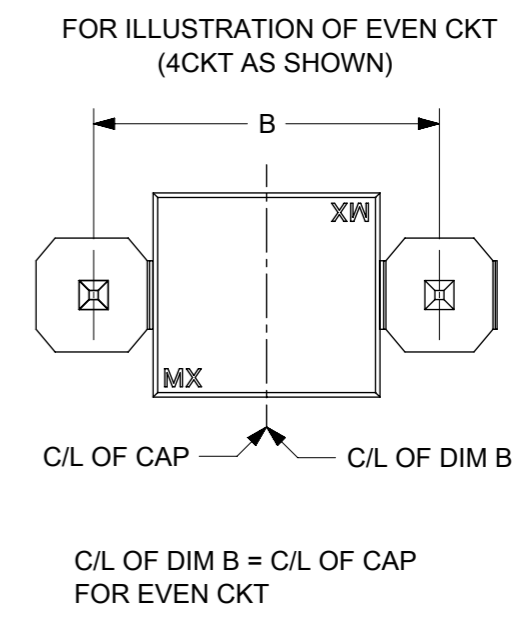
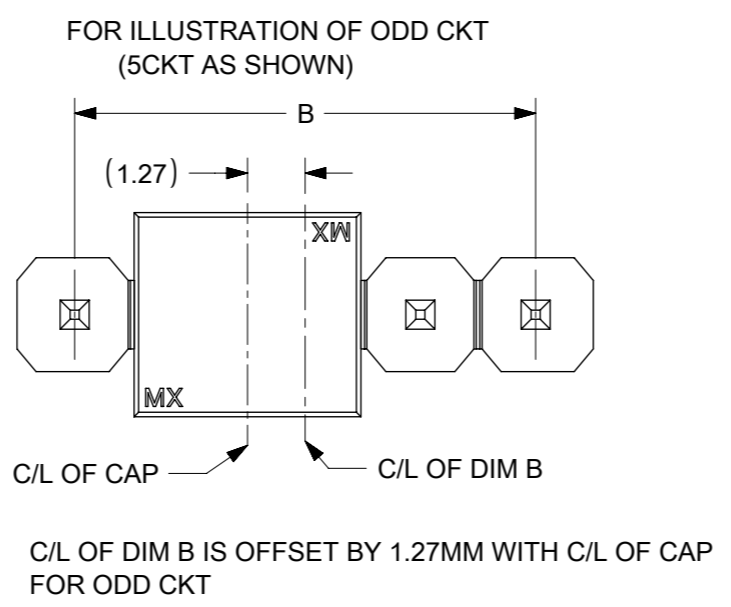
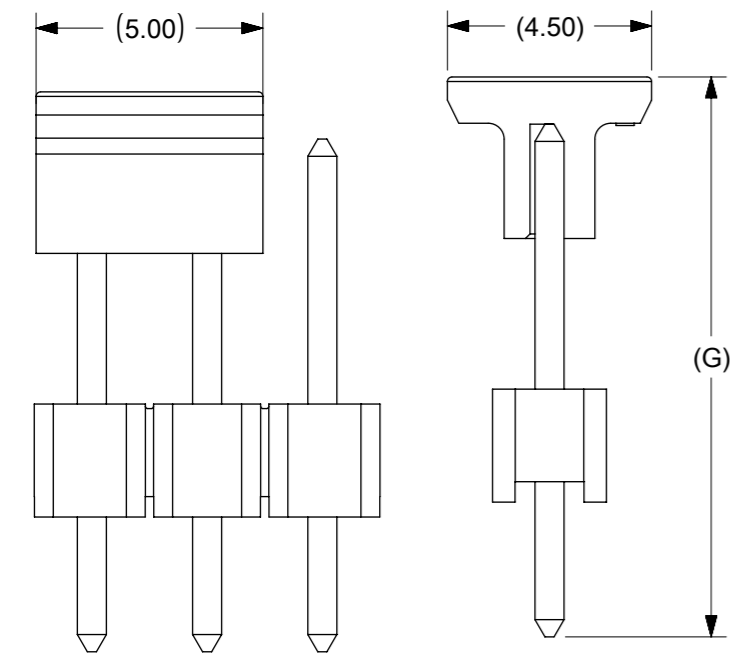
- NOTES**
- MATERIAL:**
HSG: NYLON, GLASS-FILLED, UL94V-0 COLOR: BLACK
PIN: 0.64MM SQ, COPPER ALLOY
 - PLATING TYPE:**
 - GOLD FLASH OVER
1.25µm MIN. NICKEL OVERALL.
 - GOLD FLASH ON CONTACT AND
2.50µm MIN. TIN ON SOLDER TAIL OVER
1.25µm MIN. NICKEL OVERALL.
 - 0.38µm MIN. GOLD PLATE ON CONTACT AND
2.00µm MIN. TIN ON SOLDER TAIL OVER
1.25µm MIN. NICKEL OVERALL.
 - 0.75µm MIN. GOLD PLATE ON CONTACT AND
2.00µm MIN. TIN ON SOLDER TAIL OVER
1.25µm MIN. NICKEL OVERALL.
 - 2.50µm MIN TIN OVERALL
1.25µm MIN NICKEL OVERALL
 - PRODUCT SPECIFICATION:** PS-87920-019
 - PACKAGING TYPE:** SEE TABLE
 - WAFER TO BE FLAT WITHIN** 0.003 mm/mm
 - RECOMMENDED PCB THICKNESS IS** 1.60mm±0.10
 - IRREGULAR CIRCUIT CUTOFF WITHIN BREAKAWAY SECTION IS PERMISSIBLE. CUTTING OR CHIPPING OF THE MAIN BODY IS NOT ACCEPTABLE**
 - THE ABOVE CKT 6 IS FOR ILLUSTRATION PURPOSE ONLY**
 - PACKAGING SPECIFICATION:**
TRAY: PK-89990-489
BULK: PK-89990-491
T&R : PK-87898-400
TUBE: PK-89990-934
 - REFER SHEET 2 FOR CAP LOCATION.**

| | | | | | | | |
|--|---|-------------------------------|--------------------------|--------|-----------------------|--------------------------|--------------|
| FUNCTIONAL SYMBOLS FA = 0 FE = 0 FP = 0 | THIS DRAWING CONTAINS INFORMATION THAT IS PROPRIETARY TO MOLEX ELECTRONIC TECHNOLOGIES, LLC AND SHOULD NOT BE USED WITHOUT WRITTEN PERMISSION | | CURRENT REV DESC: | | molex | | |
| | DIMENSION UNITS | SCALE | EC NO: 741471 | | | CUSTOMER DRAWING | |
| | mm | NTS | DRWN: SUAIFR 2023/03/07 | | | | |
| | GENERAL TOLERANCES (UNLESS SPECIFIED) | | CHK'D: SUAIFR 2023/03/08 | | | PRODUCT CUSTOMER DRAWING | |
| | | APPR: MRAMAKRISHNA 2023/03/09 | | | | | |
| DIVISIONAL SYMBOLS | 4 PLACES | ± | MM | INCH | INITIAL REVISION: | | |
| | 3 PLACES | ± | | | | DRWN: KCHO 2004/03/24 | |
| | 2 PLACES | ± | 0.2 | | APPR: SLOW 2004/04/08 | | |
| | 1 PLACE | ± | | | | | |
| | 0 PLACES | ± | | | ANGULAR TOL ± 3.0° | | |
| DRAFT WHERE APPLICABLE MUST REMAIN WITHIN DIMENSIONS | | THIRD ANGLE PROJECTION | DRAWING | SERIES | MATERIAL NUMBER | CUSTOMER | SHEET NUMBER |
| | | | A3-SIZE | 87891 | SEE TABLE | GENERAL MARKET | 1 OF 5 |

CAP INFORMATION- CAP OPTION A



CAP INFORMATION- CAP OPTION B



| | | | | | | | |
|--|---|---|-------------------------|----------------------|---|--------------------------|----------------------|
| FUNCTIONAL SYMBOLS | THIS DRAWING CONTAINS INFORMATION THAT IS PROPRIETARY TO MOLEX ELECTRONIC TECHNOLOGIES, LLC AND SHOULD NOT BE USED WITHOUT WRITTEN PERMISSION | | CURRENT REV DESC: | | | | |
| | $\frac{F}{A} = 0$ $\frac{F}{E} = 0$ $\frac{F}{P} = 0$ | DIMENSION UNITS: mm SCALE: NTS | | | | | |
| DIVISIONAL SYMBOLS | 4 PLACES ± | | MM | INCH | EC NO: 741471 DRWN: SUAIFR 2023/03/07 CHK'D: SUAIFR 2023/03/08 APPR: MRAMAKRISHNA 2023/03/09 INITIAL REVISION: DRWN: KCHO 2004/03/24 APPR: SCLOW 2004/04/08 | | |
| | 3 PLACES ± | | | | | | |
| | 2 PLACES ± 0.2 | | | | | | |
| | 1 PLACE ± | | | | | | |
| | ANGULAR TOL ± 3.0° | | | | DOCUMENT NUMBER: SD-87891-001 DOC TYPE: PSD DOC PART: 000 REVISION: D19 | | |
| DRAFT WHERE APPLICABLE MUST REMAIN WITHIN DIMENSIONS | | THIRD ANGLE PROJECTION | DRAWING: A3-SIZE | SERIES: 87891 | MATERIAL NUMBER: SEE TABLE | CUSTOMER: GENERAL MARKET | SHEET NUMBER: 2 OF 5 |

10 9 8 7 6 5 4 3 2 1

| CKT SIZE | DIMENSION | | ASSY W/CAP IN T&R | ASSY W/O CAP IN T&R | ASSY W/O CAP IN TUBE | ASSY W/CAP IN TUBE | PART NO. W/O CAP IN TRAY PACKAGING | PART NO. IN BULK PACKAGING | CKT SIZE | VOID PIN | KINK PIN | (G) | DIMENSION | | | PLATING TYPE | CAP OPTION | REMARKS |
|----------|-----------|-------|-------------------|---------------------|----------------------|--------------------|------------------------------------|----------------------------|----------|----------|----------|-------|-----------|------------|--------------|--------------|------------|---------------------------------------|
| | A | B | | | | | | | | | | | OAL | MATING END | SOLDIER TAIL | | | |
| | | | | | | | | | | | | | | | | | | |
| 01 | 2.54 | --- | - | - | - | - | 87891-0108 | - | 01 | - | - | - | 10.80 | 5.08 | 3.23 | 5 | - | - |
| 02 | 5.08 | 2.54 | - | - | - | - | 87891-1017 | - | 01 | - | - | - | 12.29 | 6.80 | 3.00 | 3 | - | - |
| 03 | 7.62 | 5.08 | - | - | - | - | 87891-0200 | - | 02 | - | - | - | 11.76 | 6.09 | 3.18 | 5 | - | - |
| 04 | 10.16 | 7.62 | - | - | - | - | 87891-0205 | - | 02 | - | - | - | 11.30 | 5.84 | 2.97 | 4 | - | - |
| 05 | 12.70 | 10.16 | - | - | - | - | 87891-0206 | - | 02 | - | - | - | 11.30 | 5.84 | 2.97 | 5 | - | - |
| 06 | 15.24 | 12.70 | - | - | - | - | 87891-0211 | - | 02 | - | - | - | 11.30 | 5.84 | 2.97 | 5 | - | - |
| 07 | 17.78 | 15.24 | - | - | - | - | 87891-0207 | - | 02 | - | - | - | 9.80 | 4.00 | 3.31 | 5 | - | - |
| 08 | 20.32 | 17.78 | - | - | - | - | 87891-0208 | - | 02 | - | - | - | 7.49 | 4.00 | 1.00 | 2 | - | - |
| 09 | 22.86 | 20.32 | - | - | - | - | 87891-0209 | - | 02 | - | - | - | 10.80 | 5.08 | 3.23 | 5 | - | - |
| 10 | 25.40 | 22.86 | - | - | - | - | 87891-0210 | - | 02 | - | - | - | 31.00 | 25.54 | 2.97 | 5 | - | - |
| 11 | 27.94 | 25.40 | - | - | - | - | 87891-0216 | - | 02 | - | - | - | 7.29 | 2.40 | 2.40 | 5 | - | - |
| 12 | 30.48 | 27.94 | - | - | - | - | 87891-0212 | - | 02 | - | - | - | 18.37 | 12.68 | 3.20 | 5 | - | - |
| 13 | 33.02 | 30.48 | - | - | - | - | 87891-0211 | - | 02 | - | - | - | 26.49 | 20.80 | 3.20 | 5 | - | - |
| 14 | 35.56 | 33.02 | - | - | - | - | 87891-0214 | - | 02 | - | - | - | 19.49 | 13.00 | 4.00 | 5 | - | - |
| 15 | 38.10 | 35.56 | - | - | - | - | 87891-0215 | - | 02 | - | - | 14.98 | 13.98 | 7.49 | 4.00 | 5 | A | - |
| 16 | 40.64 | 38.10 | - | - | - | - | 87891-0213 | - | 02 | - | - | - | 12.14 | 5.84 | 3.81 | 4 | - | - |
| 17 | 43.18 | 40.64 | - | - | - | - | 87891-0306 | - | 03 | - | - | - | 11.30 | 5.84 | 2.97 | 5 | - | - |
| 18 | 45.72 | 43.18 | - | - | - | - | 87891-0308 | - | 03 | - | - | - | 11.30 | 5.84 | 2.97 | 5 | - | - |
| 19 | 48.26 | 45.72 | - | - | - | - | 87891-0307 | - | 03 | - | - | - | 22.73 | 18.74 | 1.50 | 5 | - | - |
| 20 | 50.80 | 48.26 | - | - | - | - | 87891-0003 | - | 03 | 2 | - | - | 13.72 | 9.65 | 1.78 | 6 | - | - |
| 21 | 53.34 | 50.80 | - | - | - | - | 87891-0312 | - | 03 | - | - | - | 11.30 | 5.84 | 2.97 | 4 | - | - |
| 22 | 55.88 | 53.34 | - | - | - | - | 87891-0311 | - | 03 | - | - | 12.34 | 11.30 | 5.84 | 2.97 | 5 | B | REFER RPK-87891-0311 (FOR 87891-0311) |
| 23 | 58.42 | 55.88 | - | - | - | - | 87891-0313 | - | 03 | - | - | 12.34 | 11.30 | 5.84 | 2.97 | 5 | B | - |
| 24 | 60.96 | 58.42 | - | - | - | - | - | 87891-0310 | 03 | - | - | - | 6.49 | 2.00 | 2.00 | 5 | - | - |
| 25 | 63.50 | 60.96 | - | - | - | - | 87891-0317 | - | 03 | - | - | - | 12.14 | 5.84 | 3.81 | 4 | - | - |
| 26 | 66.04 | 63.50 | - | - | - | - | 87891-0402 | - | 04 | 2 | - | - | 10.80 | 5.89 | 2.41 | 5 | - | - |
| 27 | 68.58 | 66.04 | - | - | - | - | 87891-0004 | - | 04 | - | - | - | 35.10 | 29.71 | 3.10 | 6 | - | - |
| 28 | 71.12 | 68.58 | - | - | - | - | 87891-0411 | - | 04 | - | - | - | 10.09 | 4.00 | 3.60 | 5 | - | - |
| 29 | 73.66 | 71.12 | - | - | - | - | 87891-0407 | - | 04 | - | - | - | 9.80 | 4.00 | 3.31 | 5 | - | - |
| 30 | 76.20 | 73.66 | - | - | - | - | 87891-0408 | - | 04 | - | - | - | 31.00 | 25.54 | 2.97 | 5 | - | - |
| 31 | 78.74 | 76.20 | - | - | - | - | 87891-0418 | - | 04 | - | - | - | 12.14 | 6.75 | 2.90 | 5 | - | REFER 878910418-RPK (FOR 87891-0418) |
| 32 | 81.28 | 78.74 | - | - | - | - | 87891-0409 | - | 04 | - | - | - | 12.14 | 6.75 | 2.90 | 4 | - | - |
| 33 | 83.82 | 81.28 | - | - | - | - | 87891-0417 | - | 04 | - | - | 16.31 | 15.11 | 9.01 | 3.61 | 5 | A | - |
| 34 | 86.36 | 83.82 | - | - | - | - | 87891-0432 | - | 04 | - | - | - | 18.03 | 13.54 | 2.00 | 5 | - | - |
| 35 | 88.90 | 86.36 | - | - | - | - | 87891-0430 | - | 04 | - | - | - | 13.09 | 8.00 | 2.80 | 5 | A | - |
| 36 | 91.44 | 88.90 | - | - | - | - | - | - | - | - | - | - | - | - | - | - | - | - |
| 37 | 93.98 | 91.44 | - | - | - | - | - | - | - | - | - | - | - | - | - | - | - | - |
| 38 | 96.52 | 93.98 | - | - | - | - | - | - | - | - | - | - | - | - | - | - | - | - |
| 39 | 99.06 | 96.52 | - | - | - | - | - | - | - | - | - | - | - | - | - | - | - | - |
| 40 | 101.60 | 99.06 | - | - | - | - | - | - | - | - | - | - | - | - | - | - | - | - |

| | | | | | | | |
|--------------------|---------------------------------------|---|---------------|------------------------|------------|---|--|
| FUNCTIONAL SYMBOLS | | THIS DRAWING CONTAINS INFORMATION THAT IS PROPRIETARY TO MOLEX ELECTRONIC TECHNOLOGIES, LLC AND SHOULD NOT BE USED WITHOUT WRITTEN PERMISSION | | CURRENT REV DESC: | | molex | |
| $\nabla_A = 0$ | mm | SCALE | NTS | EC NO: 741471 | | | |
| $\nabla_F = 0$ | GENERAL TOLERANCES (UNLESS SPECIFIED) | | DRWN: SUAIFR | | 2023/03/07 | CUSTOM HEADER | |
| $\nabla_P = 0$ | MM INCH | | CHK'D: SUAIFR | | 2023/03/08 | 2.54MM PITCH, SINGLE ROW SINGLE WAFER, T/H HEADER | |
| DIVISIONAL SYMBOLS | | 4 PLACES ± | | APPR: MRAMAKRISHNA | | PRODUCT CUSTOMER DRAWING | |
| | | 3 PLACES ± | | INITIAL REVISION: | | DOCUMENT NUMBER | |
| | | 2 PLACES ± 0.2 | | DRWN: KCHO | | SD-87891-001 | |
| | | 1 PLACE ± | | APPR: SLOW | | DOC TYPE | |
| | | 0 PLACES ± | | ANGULAR TOL ± 3.0° | | PSD | |
| | | DRAFT WHERE APPLICABLE MUST REMAIN WITHIN DIMENSIONS | | THIRD ANGLE PROJECTION | | DOC PART | |
| | | | | DRAWING | | 000 | |
| | | | | SERIES | | D19 | |
| | | | | MATERIAL NUMBER | | REVISION | |
| | | | | CUSTOMER | | | |
| | | | | SHEET NUMBER | | | |
| | | | | SEE TABLE | | | |
| | | | | GENERAL MARKET | | | |
| | | | | 3 OF 5 | | | |

| F | ASSY W/CAP IN T&R | ASSY W/O CAP IN T&R | ASSY W/O CAP IN TUBE | ASSY W/CAP IN TUBE | PART NO. W/O CAP IN TRAY PACKAGING | PART NO. IN BULK PACKAGING | CKT SIZE | VOID PIN | KINK PIN | (G) | | | PLATING TYPE | CAP OPTION | REMARKS | |
|------------|-------------------|---------------------|----------------------|--------------------|------------------------------------|----------------------------|----------|----------|----------|-------|-------|------------|--------------|------------|---------|---|
| | | | | | | | | | | | OAL | MATING END | | | | |
| | | | | | | | | | | | (F) | M | | | | |
| - | - | - | - | - | 87891-0500 | - | 05 | - | - | - | 11.94 | 6.10 | 3.30 | 5 | - | - |
| - | - | - | - | - | 87891-0505 | - | 05 | - | - | - | 11.94 | 6.10 | 3.30 | 5 | - | - |
| - | - | - | - | - | 87891-0501 | - | 05 | - | - | - | 13.62 | 8.08 | 3.05 | 5 | - | - |
| - | - | - | - | - | 87891-0502 | - | 05 | 2 | - | - | 10.80 | 5.89 | 2.41 | 5 | - | - |
| - | - | - | - | - | 87891-0503 | - | 05 | 2 | - | - | 45.00 | 13.51 | 29.00 | 5 | - | - |
| - | - | - | - | - | 87891-0504 | - | 05 | 2 | - | - | 45.00 | 13.51 | 29.00 | 3 | - | - |
| - | - | - | - | - | 87891-0507 | - | 05 | 4 | - | - | 10.92 | 5.84 | 2.59 | 3 | - | - |
| - | - | - | - | - | - | 87891-0508 | 05 | 2,4 | - | - | 11.38 | 5.84 | 3.05 | 5 | - | - |
| - | - | - | - | - | 87891-0522 | - | 05 | 2&4 | - | - | 19.49 | 13.00 | 4.00 | 5 | - | - |
| - | - | - | - | - | 87891-0516 | - | 05 | - | - | - | 32.49 | 16.00 | 14.00 | 4 | - | - |
| - | - | - | - | - | 87891-0517 | - | 05 | - | - | - | 23.62 | 17.32 | 3.81 | 5 | - | - |
| - | - | - | - | - | 87891-0523 | - | 05 | - | - | - | 7.29 | 2.40 | 2.40 | 5 | - | - |
| - | 87891-0521 | - | - | - | - | - | 05 | - | - | 10.10 | 9.89 | 2.80 | 4.60 | 5 | A | - |
| - | - | - | - | - | 87891-0601 | - | 06 | - | - | - | 11.30 | 5.84 | 2.97 | 1 | - | - |
| - | - | - | - | - | 87891-0602 | - | 06 | - | - | - | 12.80 | 8.00 | 2.31 | 5 | - | - |
| - | - | - | - | - | 87891-0606 | - | 06 | - | - | - | 11.30 | 5.84 | 2.97 | 5 | - | - |
| - | - | - | - | - | 87891-0610 | - | 06 | - | - | - | 11.30 | 5.84 | 2.97 | 5 | - | - |
| - | - | - | - | - | 87891-0607 | - | 06 | - | - | - | 13.75 | 8.08 | 3.18 | 5 | - | - |
| - | - | - | - | - | 87891-0608 | - | 06 | - | - | - | 18.03 | 13.54 | 2.00 | 5 | - | - |
| - | - | - | - | - | 87891-0609 | - | 06 | - | - | - | 28.30 | 22.16 | 3.65 | 5 | - | - |
| - | - | - | - | - | 87891-0611 | - | 06 | - | - | - | 28.30 | 22.16 | 3.65 | 5 | - | - |
| 87891-0613 | - | - | - | - | - | - | 06 | - | - | 22.99 | 21.99 | 16.00 | 3.50 | 5 | A | - |
| - | - | - | - | - | 87891-0615 | - | 06 | - | - | - | 14.49 | 10.00 | 2.00 | 1 | - | - |
| - | - | - | - | - | 87891-0624 | - | 06 | - | - | - | 26.10 | 19.81 | 3.80 | 5 | - | - |
| - | - | - | - | - | 87891-0700 | - | 07 | - | - | - | 11.94 | 6.10 | 3.30 | 5 | - | - |
| - | - | - | - | - | 87891-0702 | - | 07 | - | - | - | 11.94 | 6.10 | 3.30 | 5 | - | - |
| - | - | - | - | - | 87891-0751 | - | 07 | - | - | - | 13.74 | 8.00 | 3.25 | 5 | - | - |
| 87891-0007 | - | - | - | - | - | - | 07 | - | - | - | 13.72 | 9.65 | 1.78 | 6 | - | - |
| - | - | - | - | - | 87891-0851 | - | 08 | - | - | - | 13.74 | 8.00 | 3.25 | 5 | - | - |
| 87891-0807 | - | - | - | - | - | - | 08 | - | - | 13.59 | 12.59 | 7.90 | 2.20 | 5 | A | - |
| - | - | - | - | - | 87891-0808 | - | 08 | - | - | - | 20.53 | 13.72 | 4.32 | 3 | - | - |
| - | - | - | - | - | 87891-0809 | - | 08 | - | - | - | 11.30 | 5.84 | 2.97 | 5 | - | - |

| <p>FUNCTIONAL SYMBOLS</p> <p>$\nabla_A = 0$</p> <p>$\nabla_F = 0$</p> <p>$\nabla_P = 0$</p> <p>DIVISIONAL SYMBOLS</p> | | | | | | | | | | <p>THIS DRAWING CONTAINS INFORMATION THAT IS PROPRIETARY TO MOLEX ELECTRONIC TECHNOLOGIES, LLC AND SHOULD NOT BE USED WITHOUT WRITTEN PERMISSION</p> <p>SCALE: mm NTS</p> <p>GENERAL TOLERANCES (UNLESS SPECIFIED)</p> <table border="1"> <tr><th colspan="2">MM</th><th colspan="2">INCH</th></tr> <tr><td>4 PLACES</td><td>±</td><td></td><td>±</td></tr> <tr><td>3 PLACES</td><td>±</td><td></td><td>±</td></tr> <tr><td>2 PLACES</td><td>±</td><td>0.2</td><td>±</td></tr> <tr><td>1 PLACE</td><td>±</td><td></td><td>±</td></tr> <tr><td>0 PLACES</td><td>±</td><td></td><td>±</td></tr> </table> <p>ANGULAR TOL ± 3.0°</p> <p>DRAFT WHERE APPLICABLE MUST REMAIN WITHIN DIMENSIONS</p> | | | | | | | | | | MM | | INCH | | 4 PLACES | ± | | ± | 3 PLACES | ± | | ± | 2 PLACES | ± | 0.2 | ± | 1 PLACE | ± | | ± | 0 PLACES | ± | | ± | <p>CURRENT REV DESC:</p> <p>EC NO: 741471</p> <p>DRWN: SUAIFR</p> <p>CHK'D: SUAIFR</p> <p>APPR: MRAMAKRISHNA</p> <p>INITIAL REVISION:</p> <p>DRWN: KCHO</p> <p>APPR: SCLOW</p> | | | | | | | | | | <p>molex</p> <p>CUSTOM HEADER</p> <p>2.54MM PITCH, SINGLE ROW SINGLE WAFER, T/H HEADER</p> <p>PRODUCT CUSTOMER DRAWING</p> <p>DOCUMENT NUMBER: SD-87891-001</p> <p>DOC TYPE: PSD</p> <p>DOC PART: 000</p> <p>REVISION: D19</p> <p>MATERIAL NUMBER: SEE TABLE</p> <p>CUSTOMER: GENERAL MARKET</p> <p>SHEET NUMBER: 4 OF 5</p> | | | | | | | | | |
|--|---|------|---|--|--|--|--|--|--|--|--|--|--|--|--|--|--|--|--|----|--|------|--|----------|---|--|---|----------|---|--|---|----------|---|-----|---|---------|---|--|---|----------|---|--|---|--|--|--|--|--|--|--|--|--|--|---|--|--|--|--|--|--|--|--|--|
| MM | | INCH | | | | | | | | | | | | | | | | | | | | | | | | | | | | | | | | | | | | | | | | | | | | | | | | | | | | | | | | | | | | | |
| 4 PLACES | ± | | ± | | | | | | | | | | | | | | | | | | | | | | | | | | | | | | | | | | | | | | | | | | | | | | | | | | | | | | | | | | | | |
| 3 PLACES | ± | | ± | | | | | | | | | | | | | | | | | | | | | | | | | | | | | | | | | | | | | | | | | | | | | | | | | | | | | | | | | | | | |
| 2 PLACES | ± | 0.2 | ± | | | | | | | | | | | | | | | | | | | | | | | | | | | | | | | | | | | | | | | | | | | | | | | | | | | | | | | | | | | | |
| 1 PLACE | ± | | ± | | | | | | | | | | | | | | | | | | | | | | | | | | | | | | | | | | | | | | | | | | | | | | | | | | | | | | | | | | | | |
| 0 PLACES | ± | | ± | | | | | | | | | | | | | | | | | | | | | | | | | | | | | | | | | | | | | | | | | | | | | | | | | | | | | | | | | | | | |

| ASSY W/CAP IN T&R | ASSY W/O CAP IN T&R | ASSY W/O CAP IN TUBE | ASSY W/CAP IN TUBE | PART NO. W/O CAP IN TRAY PACKAGING | PART NO. IN BULK PACKAGING | CKT SIZE | VOID PIN | KINK PIN | (G) | | PLATING TYPE | CAP OPTION | REMARKS | | |
|-------------------|---------------------|----------------------|--------------------|------------------------------------|----------------------------|----------|----------|----------|-------|-------|--------------|------------|---------|---|---|
| | | | | | | | | | | | | | | | |
| | | | | | | | | | (F) | M | | | | | |
| - | - | - | - | - | 87891-2601 | 26 | 4,7,17 | - | - | 11.13 | 5.59 | 3.05 | 3 | - | - |
| 87891-1817 | - | - | - | - | - | 18 | - | - | 18.36 | 17.20 | 13.21 | 1.50 | 5 | A | - |
| 87891-1819 | - | - | - | - | - | 18 | - | - | 18.36 | 17.20 | 13.21 | 1.50 | 5 | A | - |
| 87891-1818 | - | - | - | - | - | 18 | - | - | 18.36 | 17.20 | 13.21 | 1.50 | 3 | A | - |
| - | - | - | - | 87891-2007 | - | 20 | - | - | - | 21.49 | 9.50 | 9.50 | 1 | - | - |
| 87891-2817 | - | - | - | - | - | 28 | - | - | 18.36 | 17.20 | 13.21 | 1.50 | 5 | A | - |
| 87891-2819 | - | - | - | - | - | 28 | - | - | 18.36 | 17.20 | 13.21 | 1.50 | 5 | A | - |
| 87891-2818 | - | - | - | - | - | 28 | - | - | 18.36 | 17.20 | 13.21 | 1.50 | 3 | A | - |
| - | - | - | - | - | 87891-3007 | 30 | - | - | - | 11.30 | 5.84 | 2.97 | 5 | - | - |
| - | - | - | - | - | 87891-3600 | 36 | - | - | - | 11.56 | 6.09 | 3.18 | 2 | - | - |
| - | - | - | - | - | 87891-4008 | 40 | - | - | - | 11.30 | 5.84 | 2.97 | 5 | - | - |
| - | - | 87891-4007 | - | - | - | 40 | - | - | - | 12.14 | 5.84 | 3.81 | 3 | - | - |



| | | | | | | | | | | | | | | | | | | | |
|--|--|--|--|--|---|--|--|--|--|---|--|--|--|--|--|--|--|--|--|
| FUNCTIONAL SYMBOLS | | | | | | | | | | THIS DRAWING CONTAINS INFORMATION THAT IS PROPRIETARY TO MOLEX ELECTRONIC TECHNOLOGIES, LLC AND SHOULD NOT BE USED WITHOUT WRITTEN PERMISSION | | | | | | | | | |
| DIMENSION UNITS SCALE mm NTS | | | | | CURRENT REV DESC: | | | | | CUSTOM HEADER 2.54MM PITCH, SINGLE ROW SINGLE WAFER, T/H HEADER | | | | | | | | | |
| GENERAL TOLERANCES (UNLESS SPECIFIED) | | | | | EC NO: 741471 DRWN: SUAIFR APPR: MRAMAKRISHNA | | | | | | | | | | | | | | |
| DIVISIONAL SYMBOLS | | | | | INITIAL REVISION: DRWN: KCHO APPR: SLOW | | | | | PRODUCT CUSTOMER DRAWING DOCUMENT NUMBER: SD-87891-001 DOC TYPE: PSD DOC PART: 000 REVISION: D19 | | | | | | | | | |
| DRAFT WHERE APPLICABLE MUST REMAIN WITHIN DIMENSIONS | | | | | THIRD ANGLE PROJECTION | | | | | DRAWING: A3-SIZE SERIES: 87891 MATERIAL NUMBER: SEE TABLE CUSTOMER: GENERAL MARKET SHEET NUMBER: 5 OF 5 | | | | | | | | | |