

6

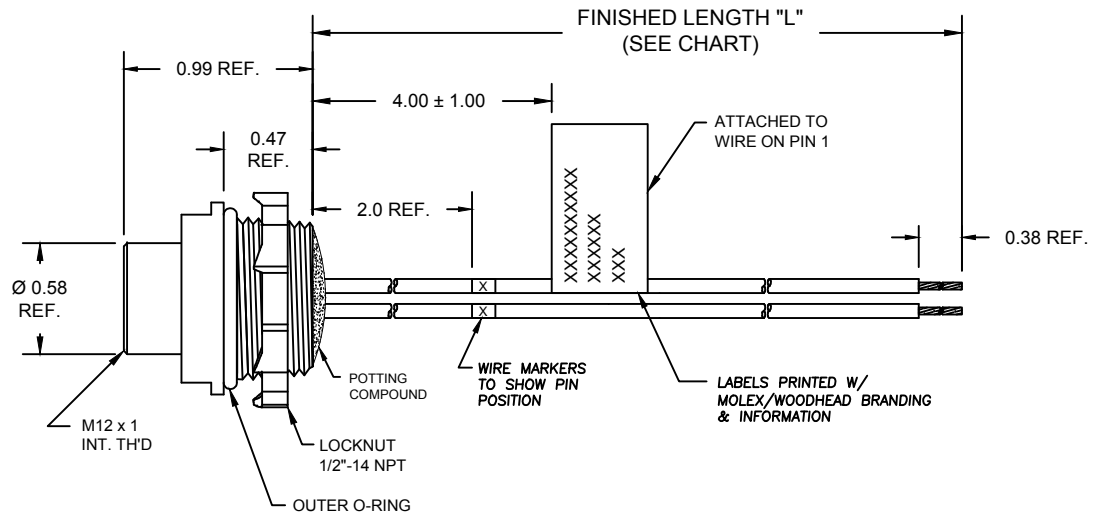
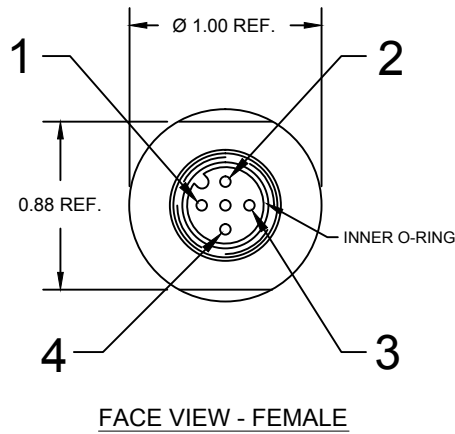
5

4

3

2

1



| | |
|---|------------|
| 1 | BLUE |
| 2 | BLUE |
| 3 | BLUE/WHITE |
| 4 | BLUE |

SPECIFICATIONS:

SHELL MATERIAL: NICKEL PLATED ZINC DIECAST
 CONTACT MATERIAL: GOLD/NICKEL OVER COPPER ALLOY
 INSERT MATERIAL: BLACK NYLON
 INNER O-RING: RED NITRILE
 LOCKNUT: ZINC-PLATED STEEL
 OUTER O-RING: BLACK NITRILE

WIRES: #18-1, PVC LEADS
 ASSEMBLY RATING: 250V, 4A

ENVIRONMENTAL: -20°C TO 105°C
 IP67 WHEN MATED

AGENCY: UL LISTED

| MOLEX SAP P/N# | ENGINEERING P/N# | "L" (Meters) | "L" (INCH) | TOLERANCE (INCH) |
|----------------|------------------|--------------|------------|------------------|
| 1200700453 | 8R4000AB3M020N | 2.0 M | 78.74" | +3.50"/-0.00" |
| 1200700455 | 8R4000AB3M040N | 4.0 M | 157.48" | +6.50"/-0.00" |

| | | | | | | | |
|---|--------------------|----------------------------------|---|--|---|----------------------|------------------------|
| A20110637 RELEASE EC NO: WNA2011-0422 DRWN: YOU 2011/01/27 CHKD: LHARTMAN APPR: JFMURPHY 2012/03/20 | DESCRIPTION REV | QUALITY SYMBOLS | GENERAL TOLERANCES (UNLESS SPECIFIED) mm INCH 4 PLACES ±--- ±--- 3 PLACES ±--- ±.005 2 PLACES ±--- ±.010 1 PLACE ±--- ±.020 ANGULAR ±1/2° DRAFT WHERE APPLICABLE MUST REMAIN WITHIN DIMENSIONS | DIMENSION STYLE INCH ONLY | SCALE 1:1 | DESIGN UNITS INCH | THIRD ANGLE PROJECTION |
| | | ▽=0 ∇=0 | | DRAWN BY DATE YOU 2011/01/27 CHECKED BY DATE LHARTMAN 2012/02/17 APPROVED BY DATE JFMURPHY 2012/03/20 | TITLE M12 MICRO-CHANGE RECEPT 4P F/FR 1/2 NPT MOUNT #18-1 PVC WIRES | | |
| | | MATERIAL NO. SEE CHART | | DOCUMENT NO. SD-120070-030 | SHEET NO. 1 OF 1 | | |
| | | SIZE A | | | THIS DRAWING CONTAINS INFORMATION THAT IS PROPRIETARY TO MOLEX INCORPORATED AND SHOULD NOT BE USED WITHOUT WRITTEN PERMISSION | | |

6

5

4

3

2

1

E

E

D

D

C

C

B

B

A

A