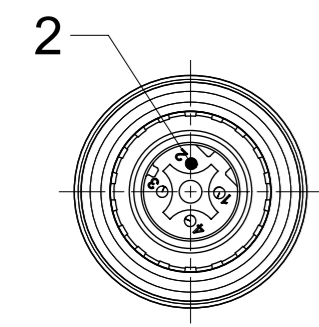


VIEW FROM THE FRONT SIDE

PIN	WIRE COLOR
1	YE
2	WH
3	OR
4	BU

SHIELD CONNECTED TO COUPLING NUTS



VIEW FROM THE FRONT SIDE

PART No. MATRIX

E	W	W	A	0	6	0	1	0	M	X	X	X
---	---	---	---	---	---	---	---	---	---	---	---	---

E=ETHERNET

HEADS:
W=M12 4-Pole Ultra Lock D-Coding
W=M12 4-Pole Ultra Lock D-Coding

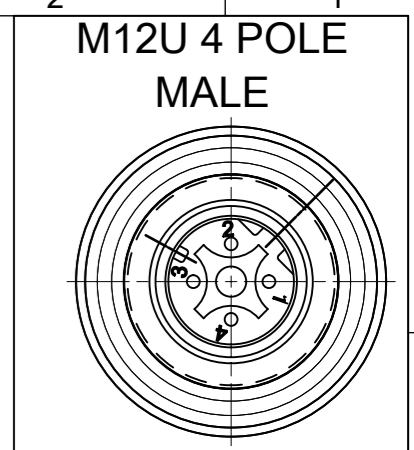
HEADS STYLE:
060=MALE STR / MALE STR

WIRING TYPE:
A=4 Pole STRAIGHT WIRED

CABLE TYPE

UNITS:
M = METER
T=10x METER

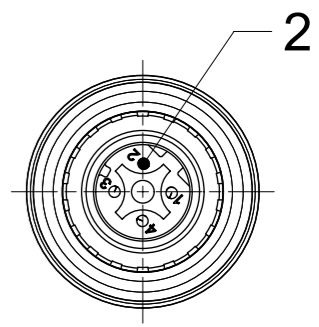
LENGTH EXAMPLES:
005=0.5m
010=1m
150=15m



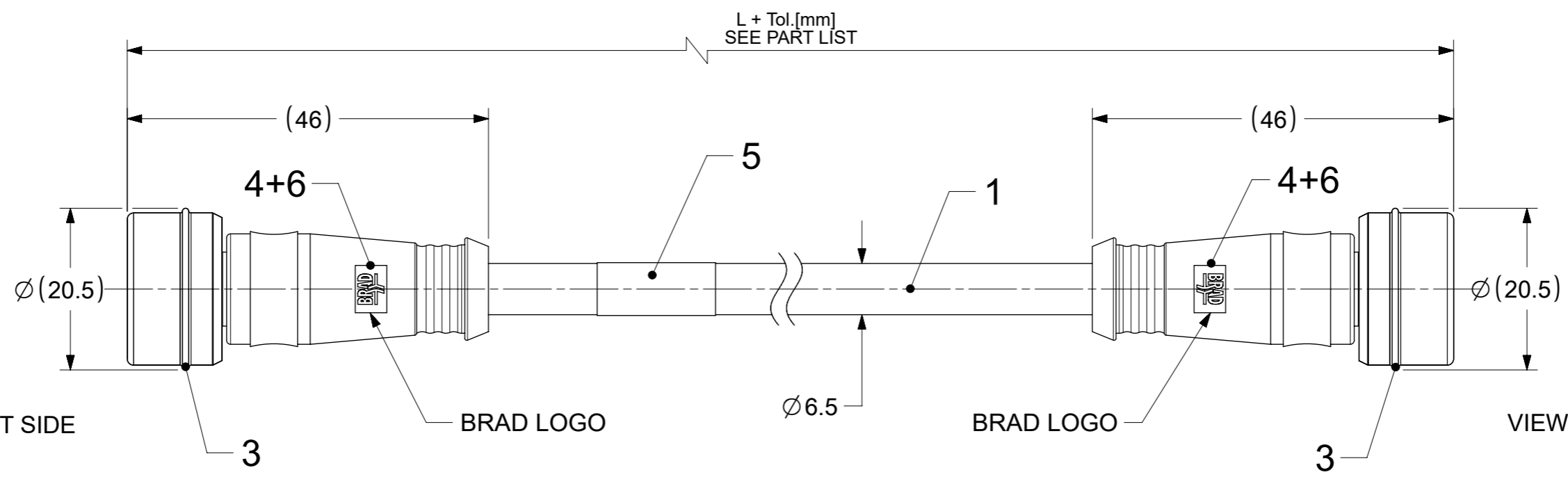
VIEW FROM THE FRONT SIDE

PIN	WIRE COLOR
1	YE
2	WH
3	OR
4	BU

SHIELD CONNECTED TO COUPLING NUTS



VIEW FROM THE FRONT SIDE



PART LIST

MOLEX PN	ENGINEERING No	L+Tol. [mm]
1201080089	EWWA06010M006	600+45
1201080090	EWWA06010M010	1000 +56
1201080091	EWWA06010M020	2000 +89
1201080092	EWWA06010M050	5000+165
1201080093	EWWA06010M100	10000+317
1201080094	EWWA06010M150	15000+622

DOCUMENT STATUS	P1	RELEASE DATE	2022/04/22	06:35:58
-----------------	----	--------------	------------	----------

NOTES :

ACC. TO CAT5e ETHERNET STD.
MAX. VOLTAGE : 30V
MAX. CURRENT : 1.5A
IP RATING : IP67
TEMPERATURE RANGE : -20°C TO +75°C

BOM

ITEM	QTY.	DESCRIPTION	MATERIAL	FINISH/COLOR
6	2	SLEEVE SHIELD	BRASS	Ni-PLATED
5	1	LABEL	VINYL	YELLOW
4	-	MOULDING MATERIAL	TPU	BLACK
3	2	ULTRALOCK ASSEMBLY MALE	-	-
2	8	CONTACT MALE	BRASS	Au OVER Ni
1	-	ETHERNET CABLE CAT5eES	PUR	GREEN

FUNCTIONAL SYMBOLS	THIS DRAWING CONTAINS INFORMATION THAT IS PROPRIETARY TO MOLEX ELECTRONIC TECHNOLOGIES, LLC AND SHOULD NOT BE USED WITHOUT WRITTEN PERMISSION	CURRENT REV DESC:																												
	<table border="1"> <tr> <th>FUNCTIONAL SYMBOLS</th> <th>DIMENSION UNITS</th> <th>SCALE</th> </tr> <tr> <td>$\nabla/A = 0$</td> <td>mm</td> <td>3:2</td> </tr> <tr> <td>$\nabla/E = 0$</td> <td colspan="2">GENERAL TOLERANCES (UNLESS SPECIFIED)</td> </tr> <tr> <td>$\nabla/F = 0$</td> <td colspan="2">ANGULAR TOL $\pm 1.0^\circ$</td> </tr> <tr> <td></td> <td>4 PLACES</td> <td>\pm</td> </tr> <tr> <td>DIVISIONAL SYMBOLS</td> <td>3 PLACES</td> <td>\pm</td> </tr> <tr> <td></td> <td>2 PLACES</td> <td>± 0.05</td> </tr> <tr> <td></td> <td>1 PLACE</td> <td>± 0.3</td> </tr> <tr> <td></td> <td>0 PLACES</td> <td>± 0.5</td> </tr> </table>	FUNCTIONAL SYMBOLS	DIMENSION UNITS		SCALE	$\nabla/A = 0$	mm	3:2	$\nabla/E = 0$	GENERAL TOLERANCES (UNLESS SPECIFIED)		$\nabla/F = 0$	ANGULAR TOL $\pm 1.0^\circ$			4 PLACES	\pm	DIVISIONAL SYMBOLS	3 PLACES	\pm		2 PLACES	± 0.05		1 PLACE	± 0.3		0 PLACES	± 0.5	<p>EC NO: 703538 DRWN: SSM 2022/03/28 CHK'D: RSILLER 2022/04/22 APPR: RSILLER 2022/04/22</p> <p>INITIAL REVISION: DRWN: SSM 2022/03/28 APPR: RSILLER 2022/04/22</p>
FUNCTIONAL SYMBOLS	DIMENSION UNITS	SCALE																												
$\nabla/A = 0$	mm	3:2																												
$\nabla/E = 0$	GENERAL TOLERANCES (UNLESS SPECIFIED)																													
$\nabla/F = 0$	ANGULAR TOL $\pm 1.0^\circ$																													
	4 PLACES	\pm																												
DIVISIONAL SYMBOLS	3 PLACES	\pm																												
	2 PLACES	± 0.05																												
	1 PLACE	± 0.3																												
	0 PLACES	± 0.5																												
DRAFT WHERE APPLICABLE MUST REMAIN WITHIN DIMENSIONS		THIRD ANGLE PROJECTION	DRAWING: A3-SIZE	SERIES: 120108	MATERIAL NUMBER: SEE PART LIST	CUSTOMER: GENERAL MARKET	SHEET NUMBER: 1 OF 1																							

6

5

4

3

2

1

PART NUMBER	ENGINEERING NO.	LENGTH ± TOLERANCE
1201080090	EWWA06010M010	3' 3" +2.19"/-0" [1M +55.6/-0 mm]
1201080092	EWWA06010M050	16' 4" +6.5"/-0" [5M +165.0/-0 mm]

AUX VIEW
SCALE 1:4

FINISHED LENGTH
(SEE CHART)

4.00 REF.
101.6

1.84 REF.
46.8

1.84 REF.
46.8

Ø 0.78 REF.
19.9

Ø 0.78 REF.
19.9

MALE- FACE VIEW

MALE- FACE VIEW

P1

P2

1 2 3 4

1 2 3 4

P1		P2
1	YELLOW	1
2	WHITE	2
3	ORANGE	3
4	BLUE	4

WIRING DIAGRAM

NOTES:

- MATERIAL: SEE TABLE
- FINISHES: SEE TABLE
- CABLE: #22/4 SHIELDED PUR
- ELECTRICAL DATA:
ACCORDING TO CAT5e ETHERNET STANDARD
MAX. VOLTAGE: 30V
MAX. CURRENT 1.5A
- ENVIRONMENTAL:
PROTECTION IP67
TEMPERATURE RANGE: -20°C TO 75°C
- WRAP LABEL IS MARKED WITH P/N, DATE CODE,
VOLTAGE & AMPERAGE.
- ASSEMBLY IS RoHS COMPLIANT.

ITEM	QTY.	DESCRIPTION	MATERIAL	FINISH
6	1	LABEL	PLASTIC FILM	BLACK/YELLOW
5	2	INSERT	PUR	BLACK
4	8	PIN CONTACT	COPPER ALLOY	GOLD PLATED
3	2	M12 ULTRA-LOCK HEAD ASSY	BRASS	NICKEL
2	2	OVERMOLD	PUR	BLACK
1	1	ETHERNET CABLE-CAT5E	PUR JACKET	TEAL

SD RELEASE EC NO: WEL2010-0005 7/9/09 DRWN: VOU CHKD: BWOODMAN APPR: JFMURPHY 2009/07/20	QUALITY SYMBOLS	GENERAL TOLERANCES (UNLESS SPECIFIED)	DIMENSION STYLE IN/MM	SCALE 3:4	DESIGN UNITS INCH	THIRD ANGLE PROJECTION
	▽=0 ∇=0	4 PLACES ±--- ±---	DRAWN BY VOU	DATE 2009/07/06	TITLE M12 ULTRALOCK CABLE ASSY 4P M/MP ST/ST D-CODE #22/4 SHIELDED PUR	
		3 PLACES ±--- ±0.05	CHECKED BY BWOODMAN	DATE 2009/07/31	MOLEX INCORPORATED	
		2 PLACES ±--- ±0.10	APPROVED BY ---	DATE ---	DOCUMENT NO. SD-120108-009	SHEET NO. 1 OF 1
		1 PLACE ±--- ±0.20	MATERIAL NO. SEE CHART		THIS DRAWING CONTAINS INFORMATION THAT IS PROPRIETARY TO MOLEX INCORPORATED AND SHOULD NOT BE USED WITHOUT WRITTEN PERMISSION	
		ANGULAR ±1/2°	SIZE A			
		DRAFT WHERE APPLICABLE MUST REMAIN WITHIN DIMENSIONS				

6

5

4

3

2

1