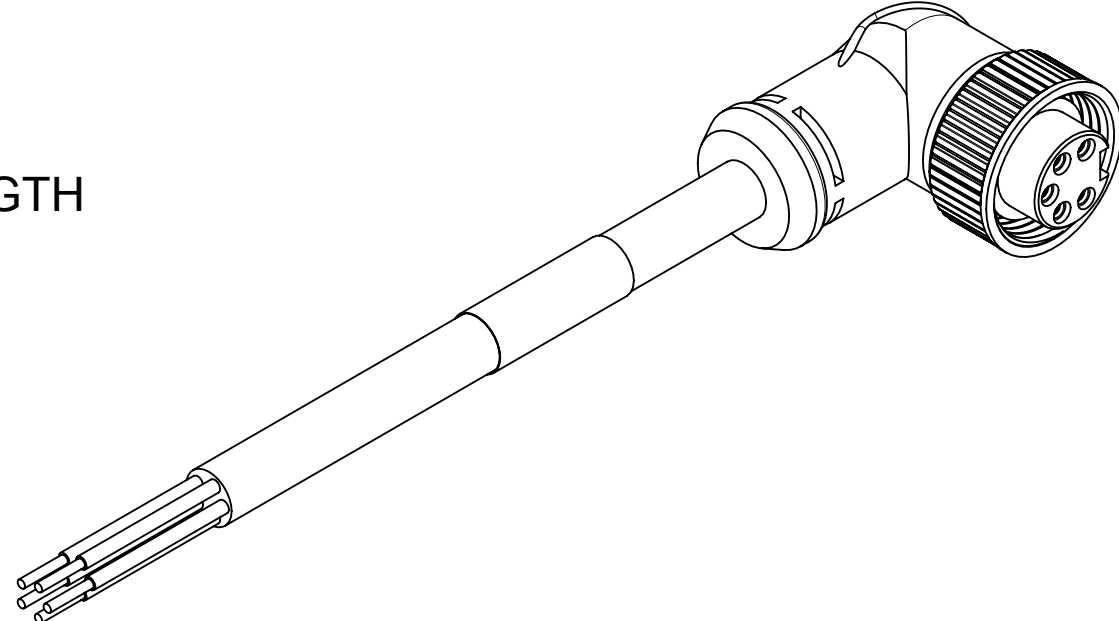


MATERIAL NO.	ENGINEERING NO.	FINISHED LENGTH
1300240132	DN90A-M005	0.5M (1 FT 7.70 IN)
1300240139	DN90A-M100	10M (32 FT 9.70 IN)
1300240140	DN90A-M200	20M (65 FT 7.40 IN)

PART NUMBER LEGEND

DN90A-M010

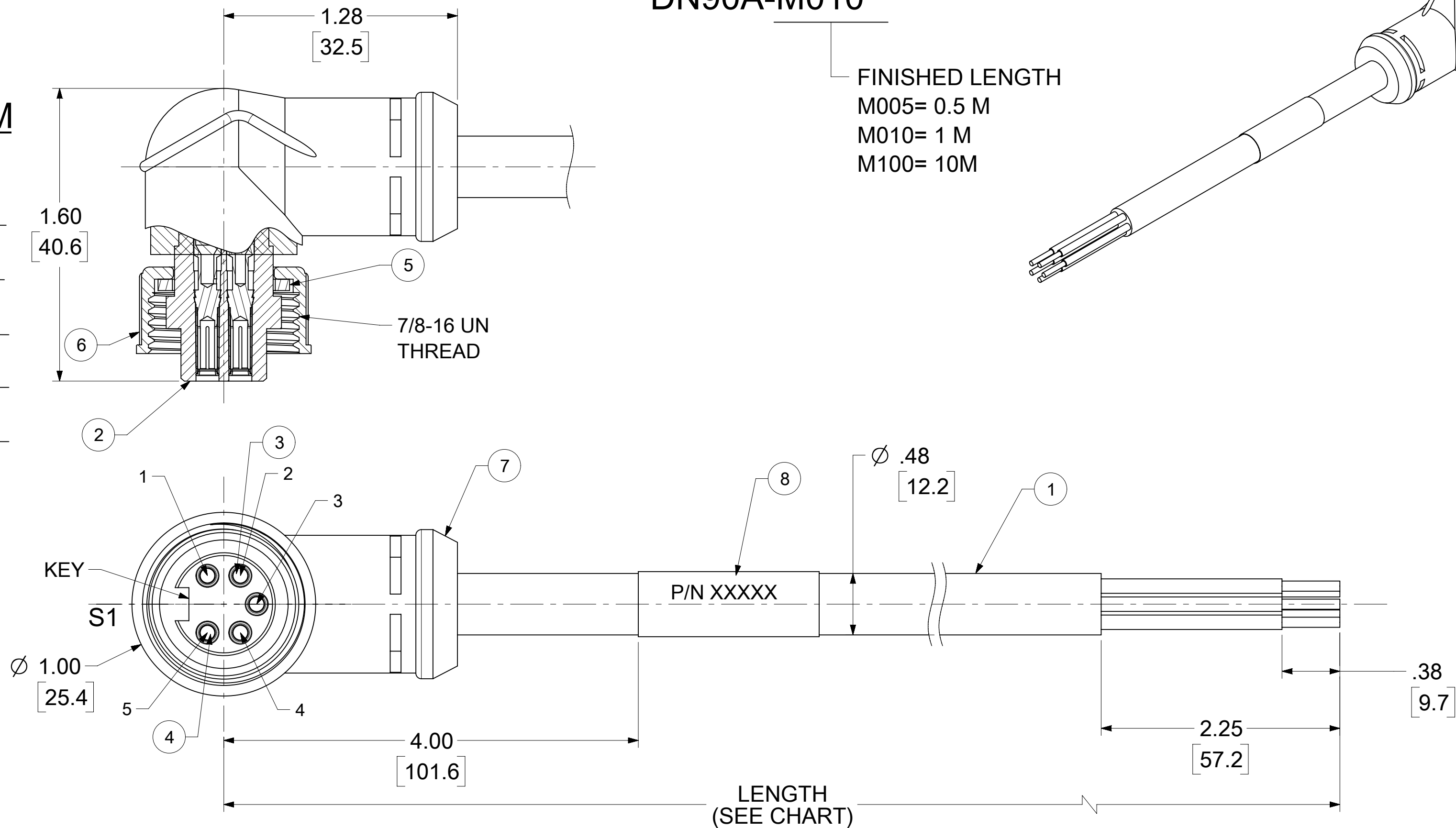
FINISHED LENGTH
M005= 0.5 M
M010= 1 M
M100= 10M



WIRING DIAGRAM

S1

1	DRAIN
2	RED
3	BLACK
4	WHITE
5	BLUE



- NOTES:
1. MATERIAL: AS NOTED
 2. FINISH: AS NOTED
 3. ELECTRICAL:
VOLTAGE: 300V PER IEC60664
300V PER UL2238
CURRENT: 4A
 4. TEMP RATING: -20°C TO +80°C
 5. PROTECTION: IP67 (WHEN MATED)
 6. UL RECOGNIZED FILE: E152210
CSA CERTIFIED FILE: LR6837
 7. ALL DIMS ARE FOR REFERENCE UNLESS TOLERANCED OR NOTED OTHERWISE

CABLE LENGTH TOLERANCES

<.3M [1FT]:	+19mm-0 [+.75in-0]
.3 - .9M [1 - 3FT]:	+44.5mm-0 [+1.75in-0]
.9 - 1.8M [3 - 6FT]:	+55.6mm-0 [+2.19in-0]
1.8 - 3.7M [6 - 12FT]:	+88.9mm-0 [+3.50in-0]
3.7 - 7.3M [12 - 24FT]:	+165.1mm-0 [+6.50in-0]
7.3-14.6M [24 - 48FT]:	+317.5mm-0 [+12.50in-0]
14.6 - 30.5M [48-100FT]:	+622.3mm-0 [+24.50in-0]
OVER 30M [100FT]:	+2% OF FINISHED LENGTH

ITEM	DESCRIPTION	MATERIAL	FINISH
8	WRAP LABEL	VINYL	BLACK/YELLOW
7	OVERMOLD	TPE	GRAY
6	COUPLING NUT	ZINC DIE CAST	BLACK E-COAT
5	FRICTION RING	NYLON	WHITE
4	CONTACT SOCKET, 18 AWG	BRASS	GOLD OVER NICKEL
3	CONTACT SOCKET, 16 AWG	BRASS	GOLD OVER NICKEL
2	FEMALE INSERT	TPE	BLACK
1	CABLE, DEV-NET, TRUNK, 18/2, 15/2	PVC JACKET	GRAY

FUNCTIONAL SYMBOLS	THIS DRAWING CONTAINS INFORMATION THAT IS PROPRIETARY TO MOLEX ELECTRONIC TECHNOLOGIES, LLC AND SHOULD NOT BE USED WITHOUT WRITTEN PERMISSION			
	DIMENSION UNITS	SCALE	CURRENT REV DESC: 2 & 7 WERE PVC	
$\frac{F}{A} = 0$	INCH/MM	NTS		
$\frac{F}{C} = 0$	GENERAL TOLERANCES (UNLESS SPECIFIED)			
DIVISIONAL SYMBOLS	4 PLACES	±	MM	INCH
	3 PLACES	±		
	2 PLACES	±		
	1 PLACE	±		
	0 PLACES	±		
	ANGULAR TOL	± °		
DRAFT WHERE APPLICABLE MUST REMAIN WITHIN DIMENSIONS		THIRD ANGLE PROJECTION	DRAWING	SERIES
			C-SIZE	130024

EC NO: 720800		2022/07/12	
DRWN: VASUTHKARP		2022/09/09	
CHK'D: RSTONE		2022/09/09	
APPR: BWOODMAN		2022/09/09	
INITIAL REVISION:			
DRWN: RSTONE		2009/05/06	
APPR: JFMURPHY		2009/05/14	

DOCUMENT NUMBER		DOC TYPE	DOC PART	REVISION
SD-130024-004		PSD	001	B
MATERIAL NUMBER	CUSTOMER	SHEET NUMBER		
SEE TABLE	GENERAL MARKET	1 OF 1		