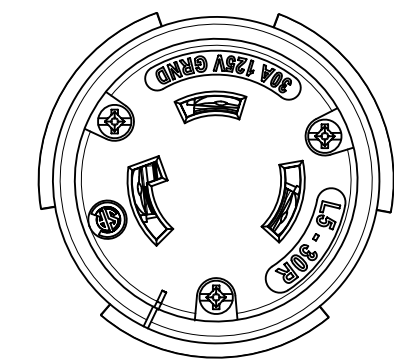
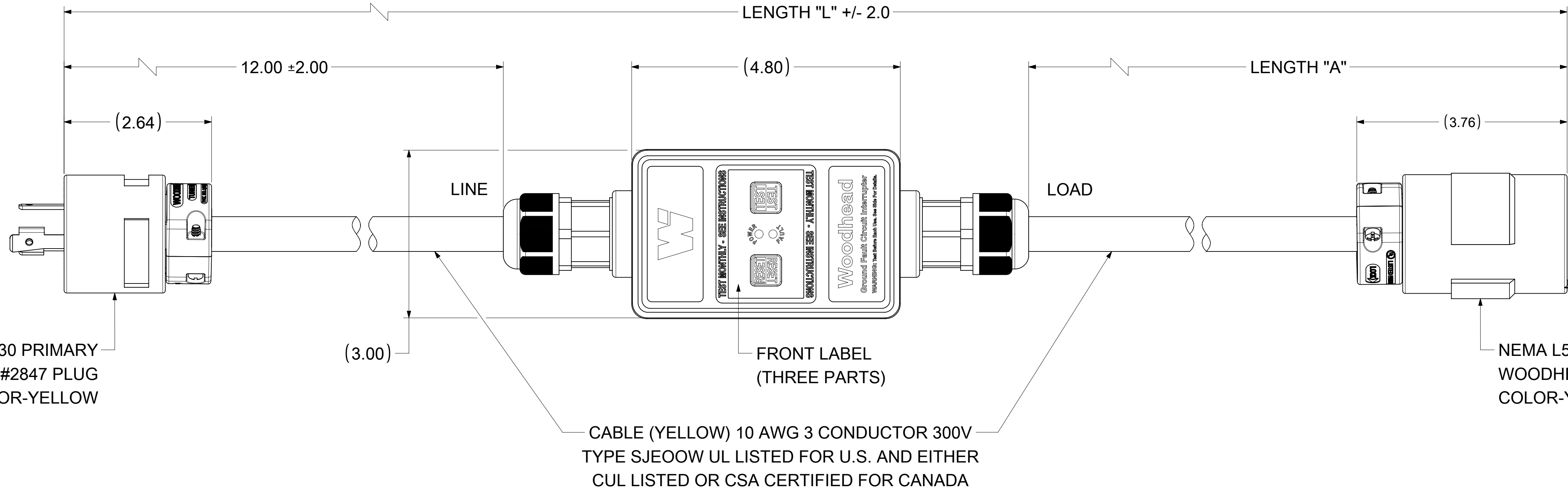
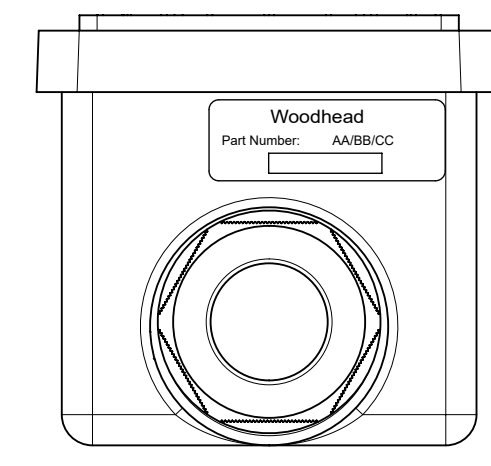
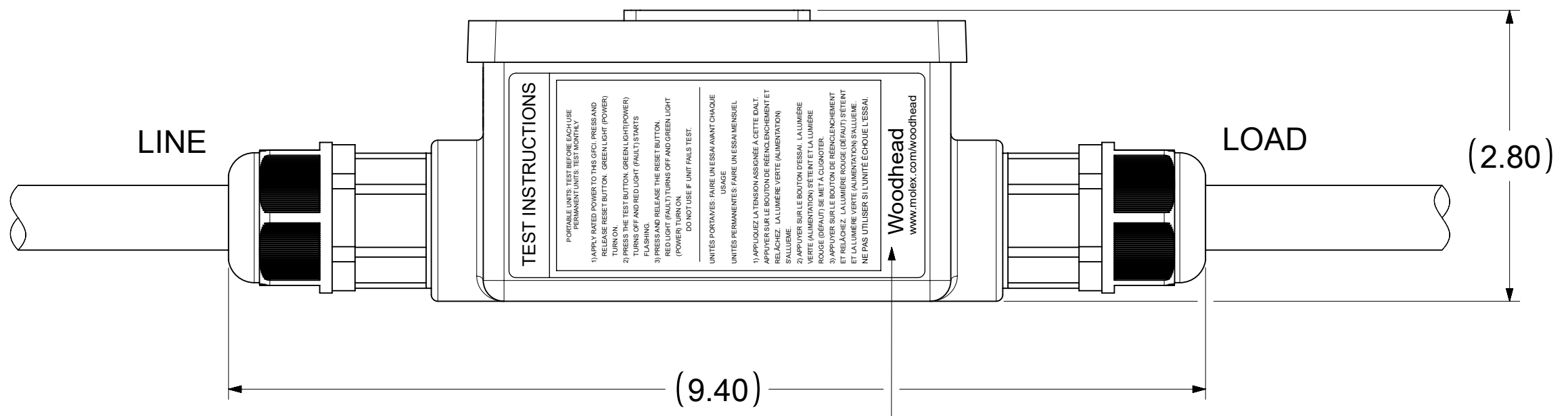
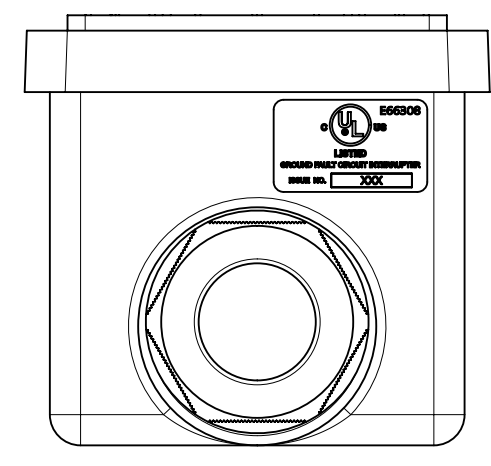


NEMA L5-30 PRIMARY
WOODHEAD #2847 PLUG
COLOR-YELLOW



NEMA L5-30 SECONDARY
WOODHEAD #2947 CONNECTOR
COLOR-YELLOW

CABLE (YELLOW) 10 AWG 3 CONDUCTOR 300V
TYPE SJE00W UL LISTED FOR U.S. AND EITHER
CUL LISTED OR CSA CERTIFIED FOR CANADA



TEST INSTRUCTIONS LABEL

TECHNICAL

LISTED:	UL & CSA
RATED SUPPLY VOLTAGE:	120VAC
RATED CURRENT:	UP TO 30 AMPS
RESET TYPE:	AUTOMATIC OR MANUAL
OPERATING FREQUENCY:	60 Hz
TYPE:	CLASS A
GROUND TRIP CURRENT:	5mA +/- 1mA
OVERLOAD CURRENT:	180 AMPS, 0.45PF
INSULATION VOLTAGE:	1,500 VRMS - 1 MINUTE
ENDURANCE OPERATIONS:	3000 OPERATIONS
ENCLOSURE:	NEMA 4X/6P

MATERIAL NO.	ENGINEERING NO.	LENGTH "L"	LENGTH "A"	POWER-UP
1301530164	30051-1A	2 FT 9.4 IN.	1 FT	AUTO
1301530171	30051-6A	7 FT 9.4 IN.	6 FT	AUTO
1301530168	30051-25A	26 FT 9.4 IN.	25 FT	AUTO
1301530165	30051-1M	2 FT 9.4 IN.	1 FT	MANUAL
1301530172	30051-6M	7 FT 9.4 IN.	6 FT	MANUAL
1301530169	30051-25M	26 FT 9.4 IN.	25 FT	MANUAL

FUNCTIONAL SYMBOLS $\nabla_A = 0$ $\nabla_C = 0$ $\nabla_P = 0$	THIS DRAWING CONTAINS INFORMATION THAT IS PROPRIETARY TO MOLEX ELECTRONIC TECHNOLOGIES, LLC AND SHOULD NOT BE USED WITHOUT WRITTEN PERMISSION		DIMENSION UNITS: INCH SCALE: NTS		CURRENT REV DESC: UPDATED LENGTH "L" IN THE TABLE. EC NO: 672829 DRWN: PPURSUTANDEL 2021/08/06 CHK'D: DNGUYEN62 2021/08/18 APPR: HKNEELAND 2021/08/31				
	GENERAL TOLERANCES (UNLESS SPECIFIED) ANGULAR TOL ± °		INITIAL REVISION: DRWN: PPURSUTANDEL 2021/07/01 APPR: HKNEELAND 2021/07/30						PRODUCT CUSTOMER DRAWING
	DIVISIONAL SYMBOLS 4 PLACES ± 3 PLACES ± 2 PLACES ± 1 PLACE ± 0 PLACES ±		DRAFT WHERE APPLICABLE MUST REMAIN WITHIN DIMENSIONS			THIRD ANGLE PROJECTION		DRAWING: D-SIZE SERIES: 130153	
MATERIAL NUMBER: SEE TABLE		CUSTOMER: GENERAL MARKET		SHEET NUMBER: 1 OF 1					