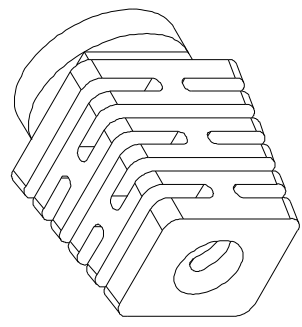
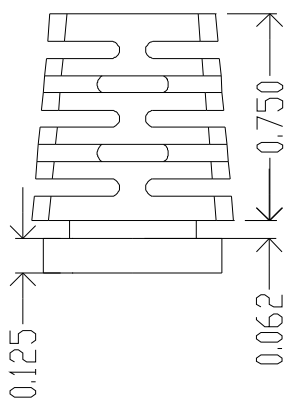
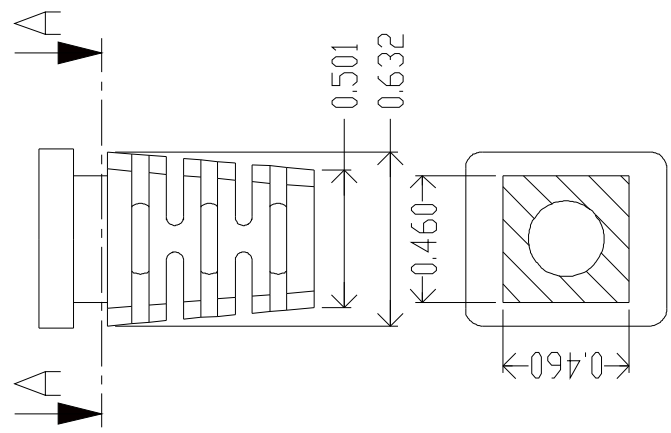
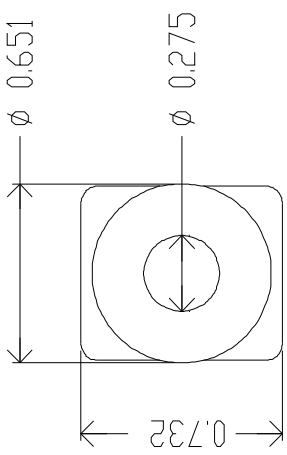


REVISIONS		DATE	APPROVED
ZONE	REV.		



MOLD MATERIAL: ISC P/N: 5000214, PVC, M1472, Black, RoHS

DRAWN	CHECKED	ENG APPR.	MFG APPR.	D.A.	COMMENTS	DATE	NAME
IR. FIERRO						09/29/08	

ISC Engineering
 4351 Schaefer Ave. Chino, CA 91710
 Ph: 909-596-3315 Fax: 909-596-3335
 www.iscengineering.com
 www.overmoldtooling.com

1465080-275-B-460X460-651-0

SIZE DWG. NO. **1467535**

SCALE: 2:1 WEIGHT: _____ SHEET: OF 1

A-A (1.5 : 1)

Dimensions are subject to change.
 PROPRIETARY AND CONFIDENTIAL
 THE INFORMATION CONTAINED IN THIS
 DRAWING IS THE SOLE PROPERTY OF
 ISC ENGINEERING. ANY REPRODUCTION IN
 PART OR AS A WHOLE WITHOUT THE WRITTEN
 PERMISSION OF ISC ENGINEERING IS
 PROHIBITED.



DIMENSIONS ARE IN INCHES	DO	NDT	SCALE	DRAWING
TOLERANCES: FRACTIONAL: ± ANGULAR: MACH ± TWO PLACE DECIMAL ± THREE PLACE DECIMAL ±				
BEND				
MATERIAL				
FINISH				
USED ON				
APPLICATION				