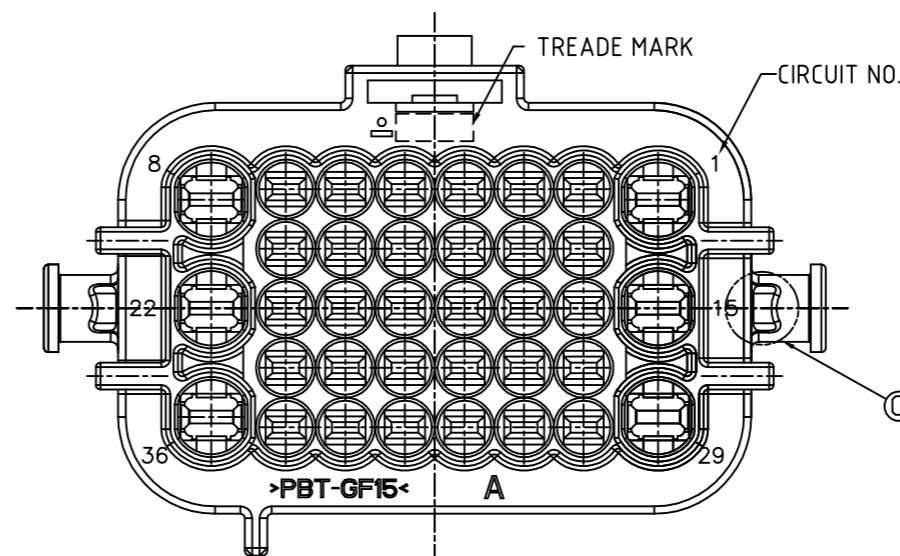
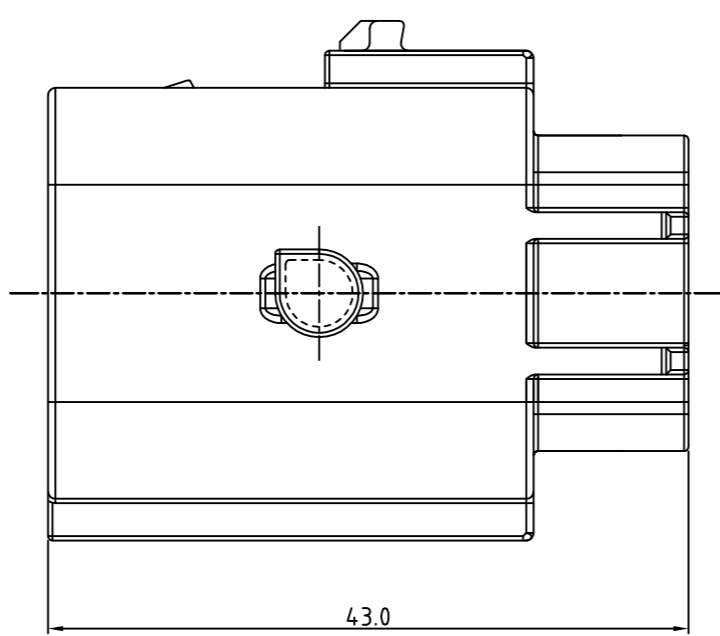
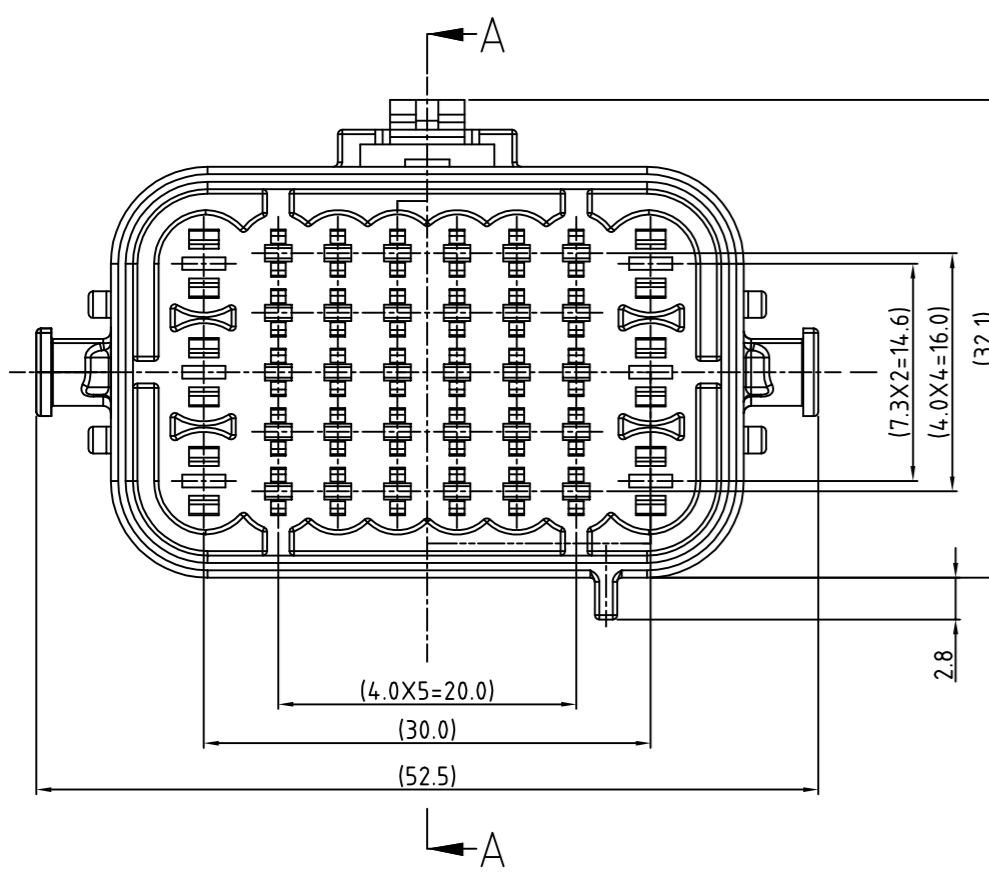
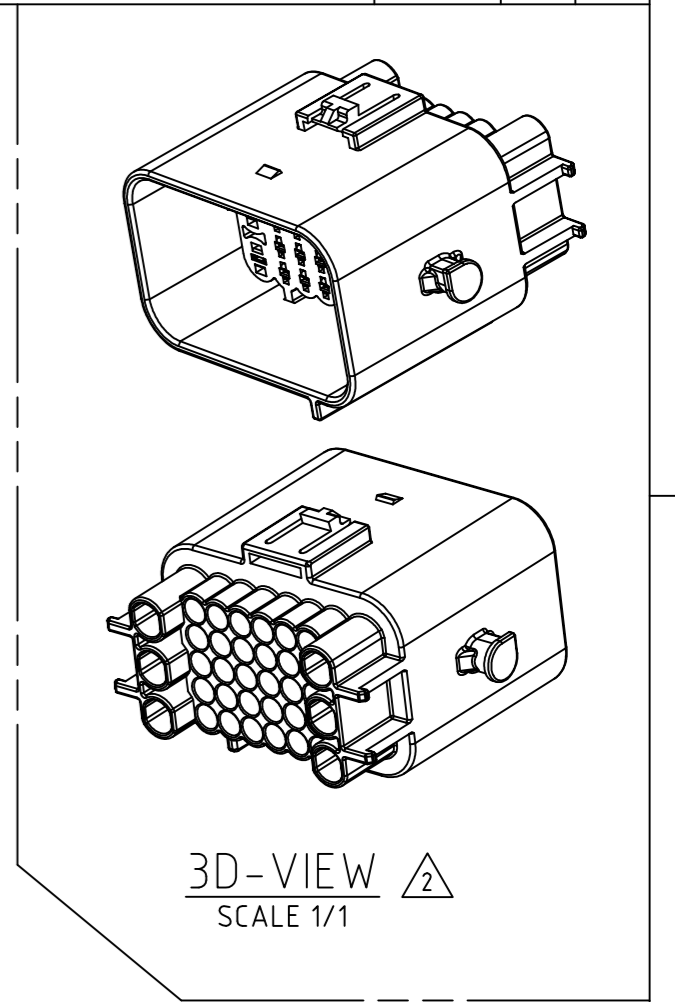
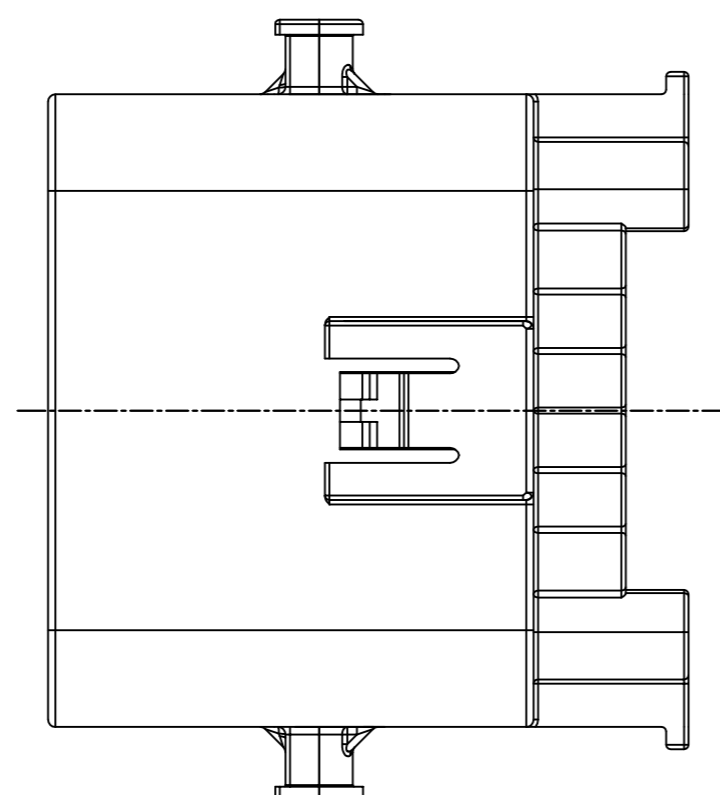
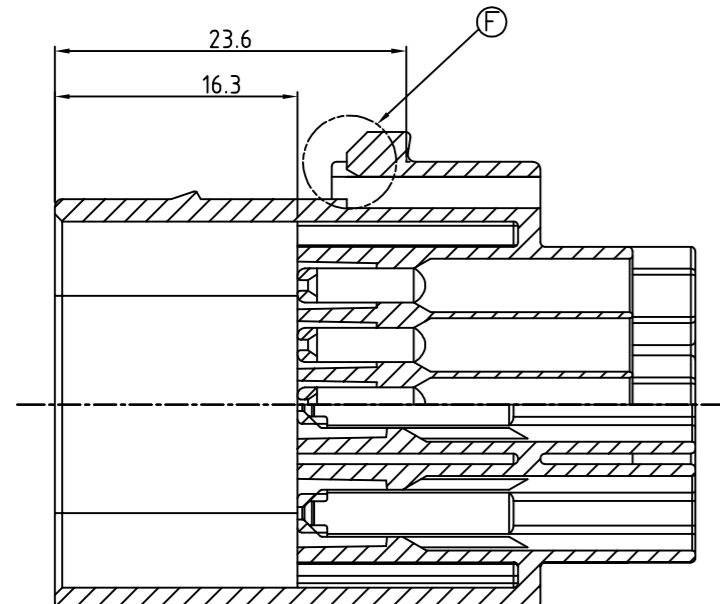


THIS DRAWING IS UNPUBLISHED. RELEASED FOR PUBLICATION  
COPYRIGHT BY TYCO ELECTRONICS CORPORATION. ALL RIGHTS RESERVED.

LOC	DIST	REVISIONS					
		P	LTR	DESCRIPTION	DATE	DWN	APVD
		F		REVISED (ECR-11-004732)	08/MAR/11	SJ	HG
		G		REVISED (ECR-11-025917)	20/FEB/12	SJ	HG
		G1		REVISED (ECR-15-009355)	24/AUG/15	SJ	HG



-TABLE 2-

TYPE	Part NO.	WIRE INSULATION DIAMETER(mm)	COLOR
MT II	964971-1	1.2 - 1.6	RED
	963530-1	1.7 - 1.9	GRAY
	963531-1	CAVITY PLUG	WHITE
JPT	828904-1	1.2 - 2.1	BLUE
	828905-1	2.2 - 3.0	WHITE
	828922-1	CAVITY PLUG	NATURAL

-TABLE 1-

TYPE	Part NO.	WIRE SIZE(mm <sup>2</sup> )	FINISH
MT II	0-963902-1	0.25-0.5	CuSn4
	0-963902-3		CuSn4(GOLD)
	0-963904-1	0.5-1.0	CuSn4
	0-963904-3		CuSn4(GOLD)
JPT	1-962915-1	0.5-0.85	CuSn4
	1-962915-3		CuSn4(GOLD)
	1-962916-1	1.25-2.0	CuSn4
	1-962916-3		CuSn4(GOLD)

- NOTES:
- GENERAL TOLERANCE IS ±0.3
  - CONDITION OF DELIVERY
  - APPLIED PLUG ASS'Y P/N: X-1743059-X  
APPLIED WIRE COVER P/N: X-1743065-X
  - APPLIED RECEPTACLE CONTACT P/N: TABLE 1
  - APPLIED WIRE SEAL P/N: TABLE 2

COLOR/FINISH	MATERIAL	DESCRIPTION	P/N	REMARK
BLACK	PBT-GF15	CAP HSG	9-1743062-2	CHINA ONLY
GRAY	PBT-GF15	CAP HSG	0-1743062-3	
BLACK	PBT-GF15	CAP HSG	0-1743062-2	
NATURAL	PBT-GF15	CAP HSG	0-1743062-1	

control priority dimension;  
 CRITICAL,  MAJOR,  MINOR  
THIS DRAWING IS A CONTROLLED DOCUMENT FOR TYCO ELECTRONICS CORPORATION IT IS SUBJECT TO CHANGE AND THE CONTROLLING ENGINEERING ORGANIZATION SHOULD BE CONTACTED FOR THE LATEST REVISION.

DIMENSIONS: MM  
 TOLERANCES UNLESS OTHERWISE SPECIFIED:  
 DECIMALS: ANGLES ± 3°  
 3rd ANGLE PROJECTION  
 MATERIAL: SEE TABLE  
 FINISH:

**TE** TE Connectivity

CAP HOUSING  
FOR MTII/JPT HYBRID SEALED 36P CONN'R

SIZE	CAGE CODE	DRAWING NO	RESTRICTED TO
A2	00779	C-1743062	

CUSTOMER DRAWING SCALE 2/1 SHEET 1 OF 1 REV G1