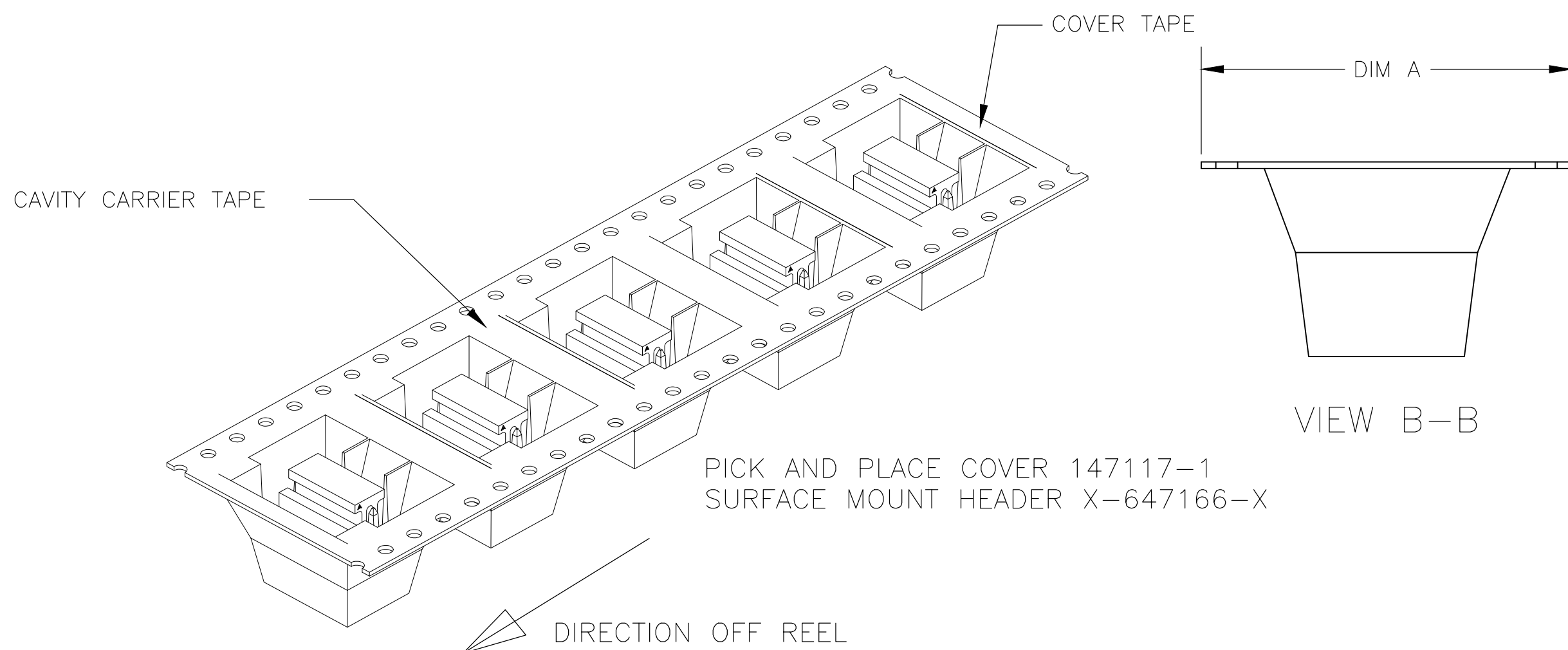
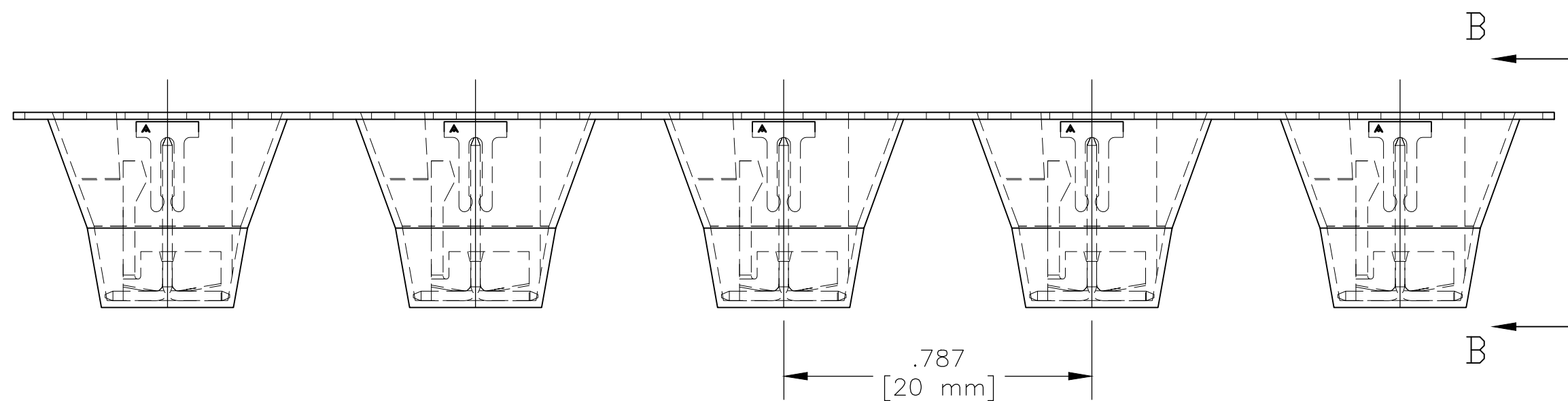
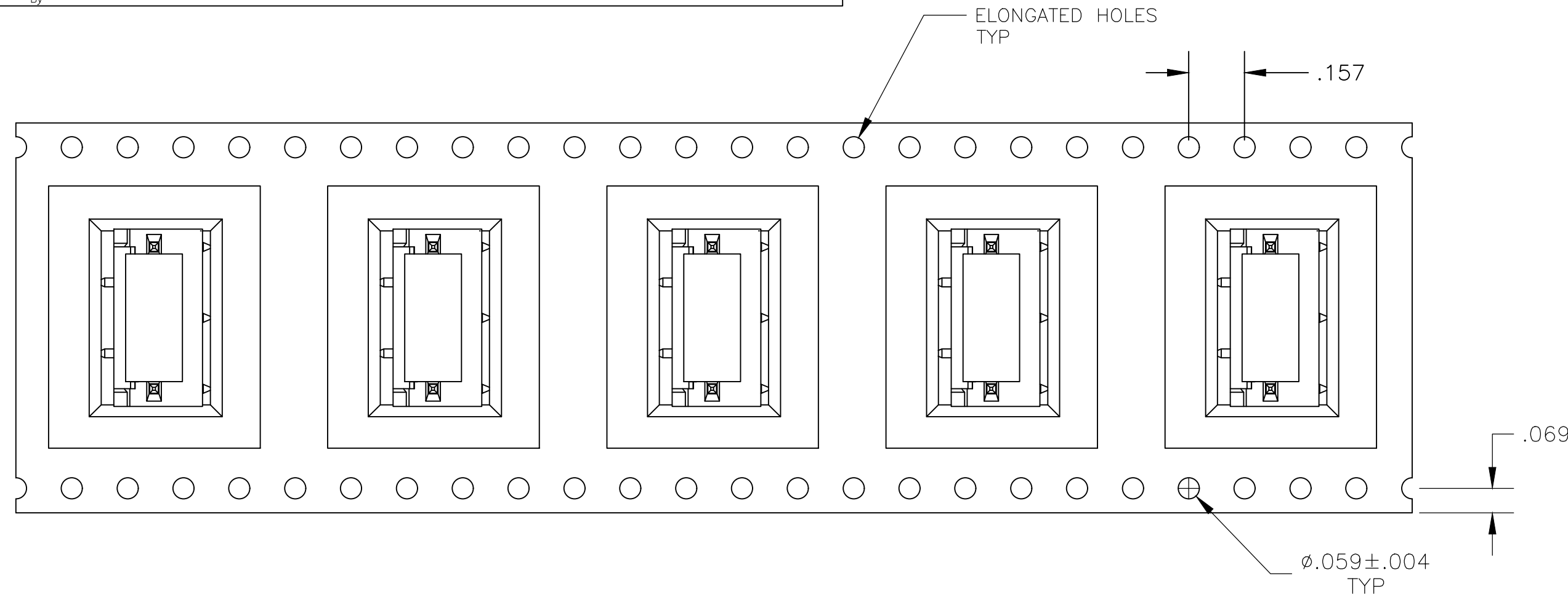


THIS DRAWING IS UNPUBLISHED. RELEASED FOR PUBLICATION  
 © COPYRIGHT - By - ALL RIGHTS RESERVED.

REVISIONS				
P	LTR	DESCRIPTION	DATE	APVD
A6		REVISED PER ECR-18-004355	19JUN2018	BDA SG

- 1 MATERIAL:  
HOUSING- NYLON, UL94V-0, BLACK  
CONTACT- COPPER ALLOY  
CAVITY CARRIER TAPE- BLACK CONDUCTIVE PLOYCARBONATE
- 2 FINISH:  
CONTACT - TIN PLATE
- 3 POST TO WITHSTAND 13 NEWTONS [ 3 LBS ] MIN AXIAL FORCE IN THIS DIRECTION WITHOUT DISLODGING, BEFORE SOLDERING.
- 4 POSTS SOLDERTAILS MUST COMPLY WITH TE SOLDERABILITY SPEC 109-11-2.
- 5 MEASURED AT  $\square-A-$
- 6 APPLIES WHEN HEADER IS HELD STRAIGHT
- 7 COORDINATE DIM APPLIES FROM CENTER OF ACTUAL FEATURE.
- 8 DIMENSION APPLY TO THE COMPONENT SIDE OF BOARD
- 9 MAX TEMP EXPOSURE DURING REFLOW SOLDERING MAY NOT EXCEED 280°C [ 536°F].
- 10 HEADERS ARE SUPPLIED ON A 330.2mm [13] DIAMETER REEL WITH 225 PARTS PER REEL. THE CAVITY CARRIER TAPE HOLDS 1 PART PER POCKET, ORIENTED AS SHOWN.
- 11 TE LOGO, UL AND CSA TRADEMARKS MARKED AT THIS LOACTION

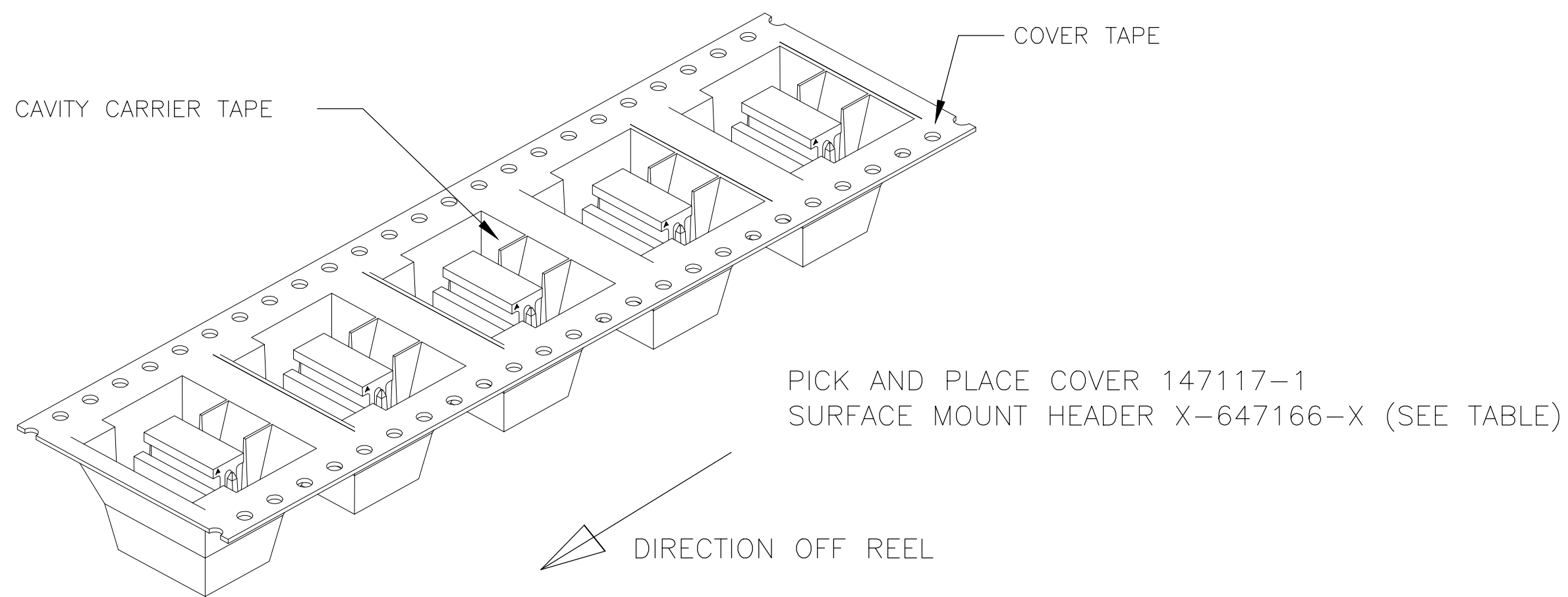
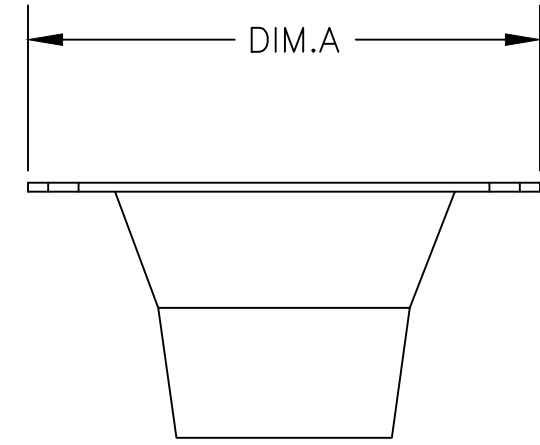
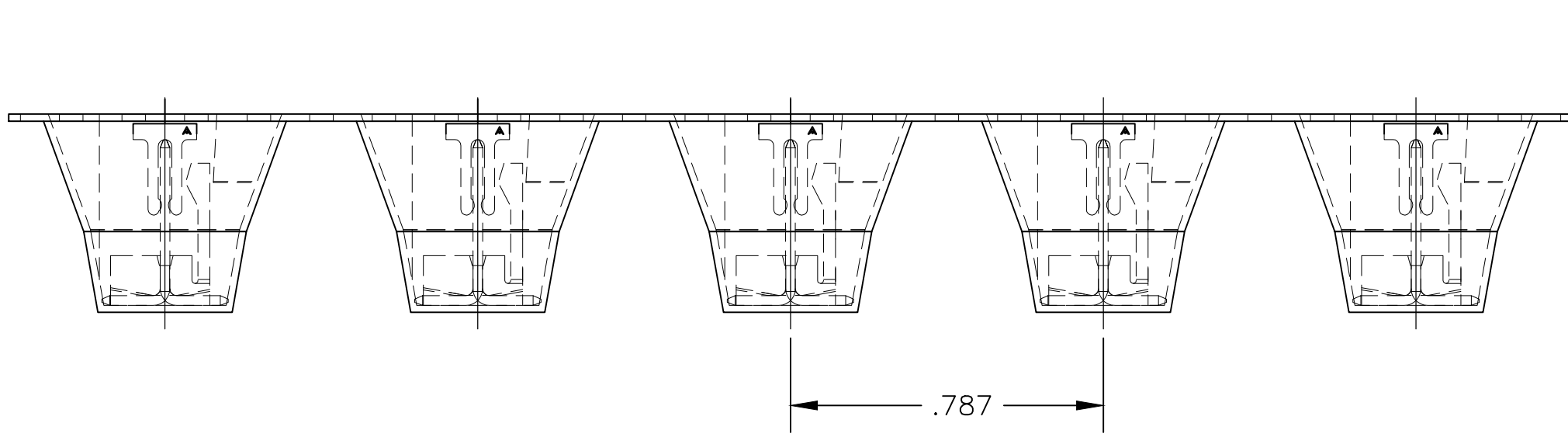
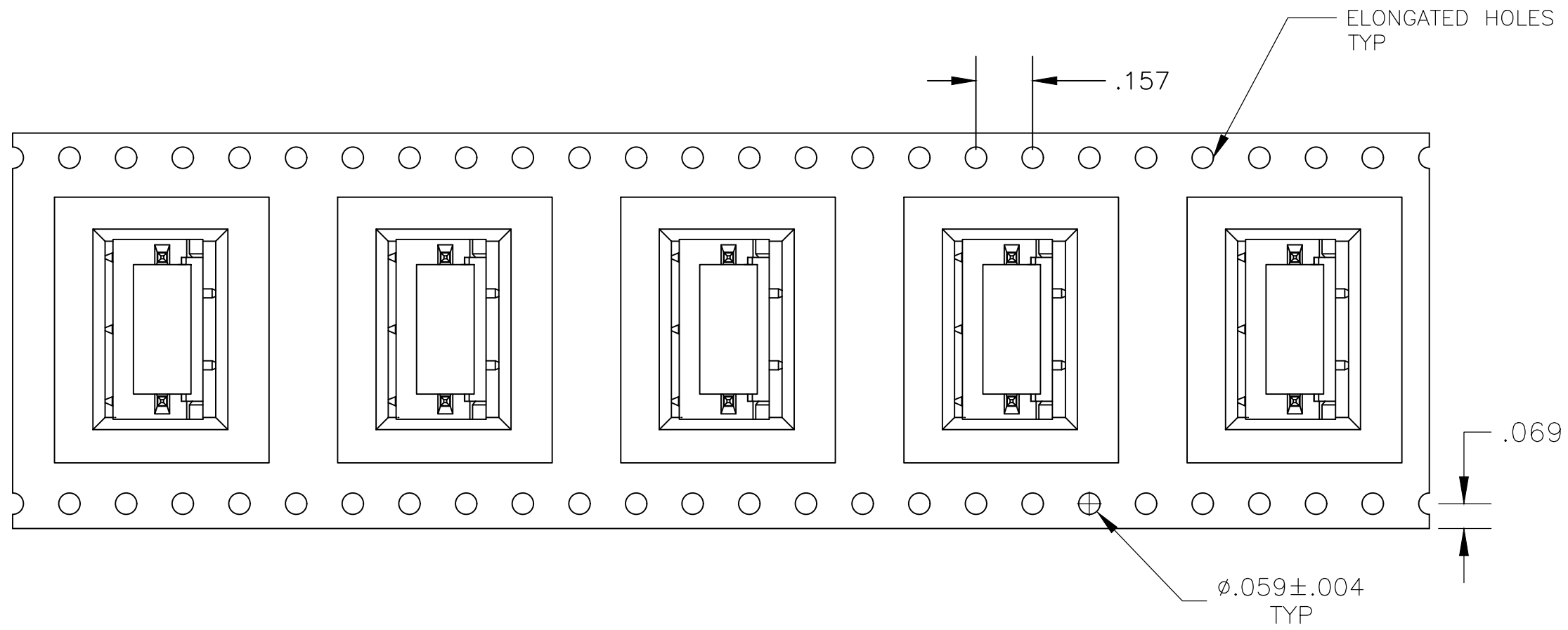


DIM A	PICK AND PLACE COVER	HEADER ASSEMBLY	NO. OF POSITIONS	PART NO
1.73 [44mm]	1 REQ'D	1 REQ'D	12	1-1744382-2
1.73 [44mm]	1 REQ'D	1 REQ'D	8	1744382-8
1.73 [44mm]	1 REQ'D	1 REQ'D	7	1744382-7
1.73 [44mm]	1 REQ'D	1 REQ'D	6	1744382-6
1.26 [32mm]	1 REQ'D	1 REQ'D	5	1744382-5

THIS DRAWING IS A CONTROLLED DOCUMENT.		DWN jr ruth 30MAR11	TE Connectivity	
DIMENSIONS: INCHES		CHK SAM MACE 30MAR11	NAME MTA100 HEADER ASSY, SURFACE MOUNT, FRICTION LOCK, .025 SQ. POST, TAPE W/CAP	
TOLERANCES UNLESS OTHERWISE SPECIFIED:		APVD SAM MACE 30MAR11	PRODUCT SPEC 108-1050	
0 PLC ± -		APPLICATION SPEC 114-1019	SIZE A2	CAGE CODE 00779
1 PLC ± -		WEIGHT -	DRAWING NO C=1744382	
2 PLC ± -		RESTRICTED TO -		
3 PLC ± .015		SCALE 3:1		
4 PLC ± -		SHEET 1 of 4		
ANGLES ± 1°		REV A6		
FINISH -		CUSTOMER DRAWING		

THIS DRAWING IS UNPUBLISHED. RELEASED FOR PUBLICATION  
 © COPYRIGHT - By - ALL RIGHTS RESERVED.

REVISIONS				
P	LTR	DESCRIPTION	DATE	APVD
-	-	SEE SHEET 1	-	-

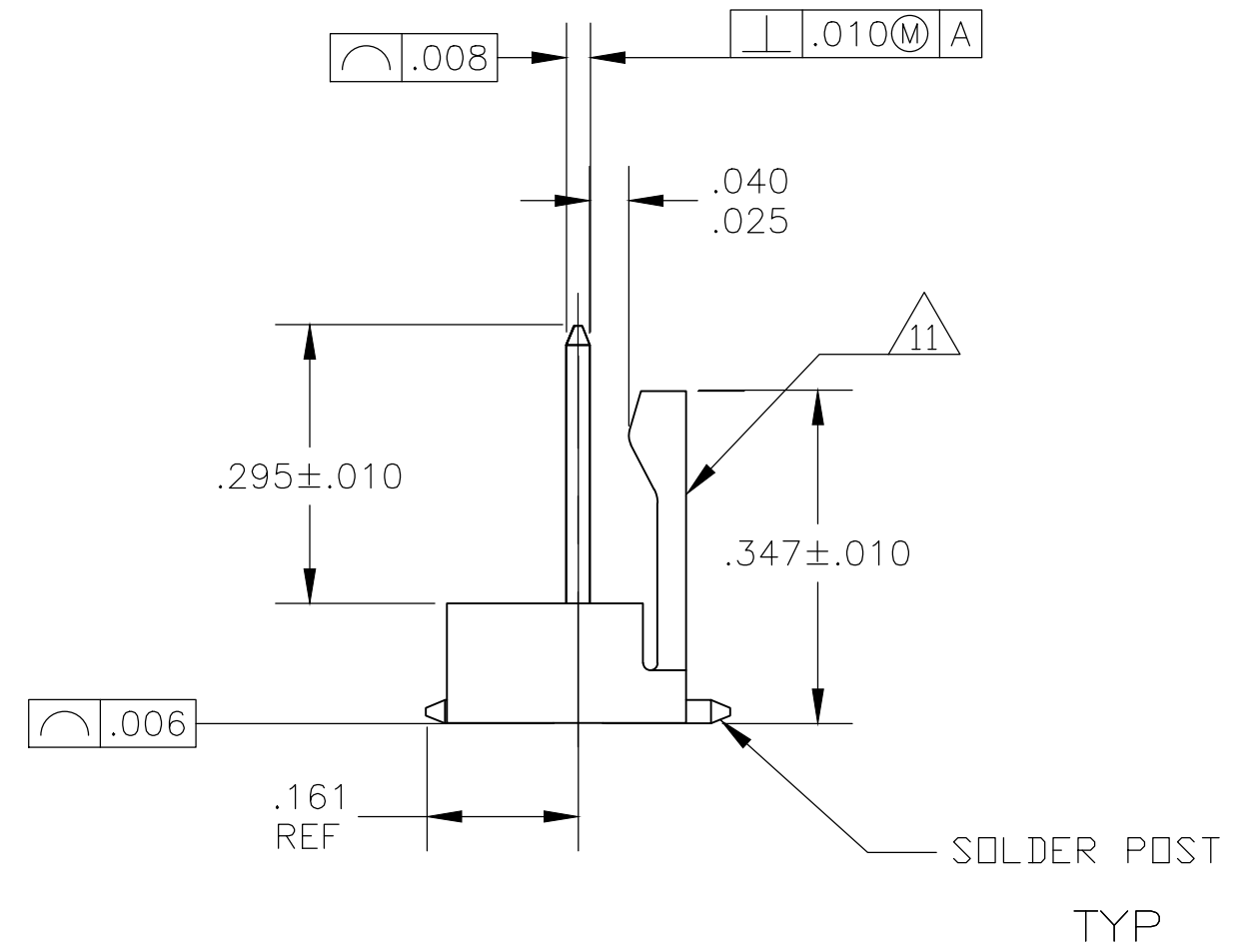
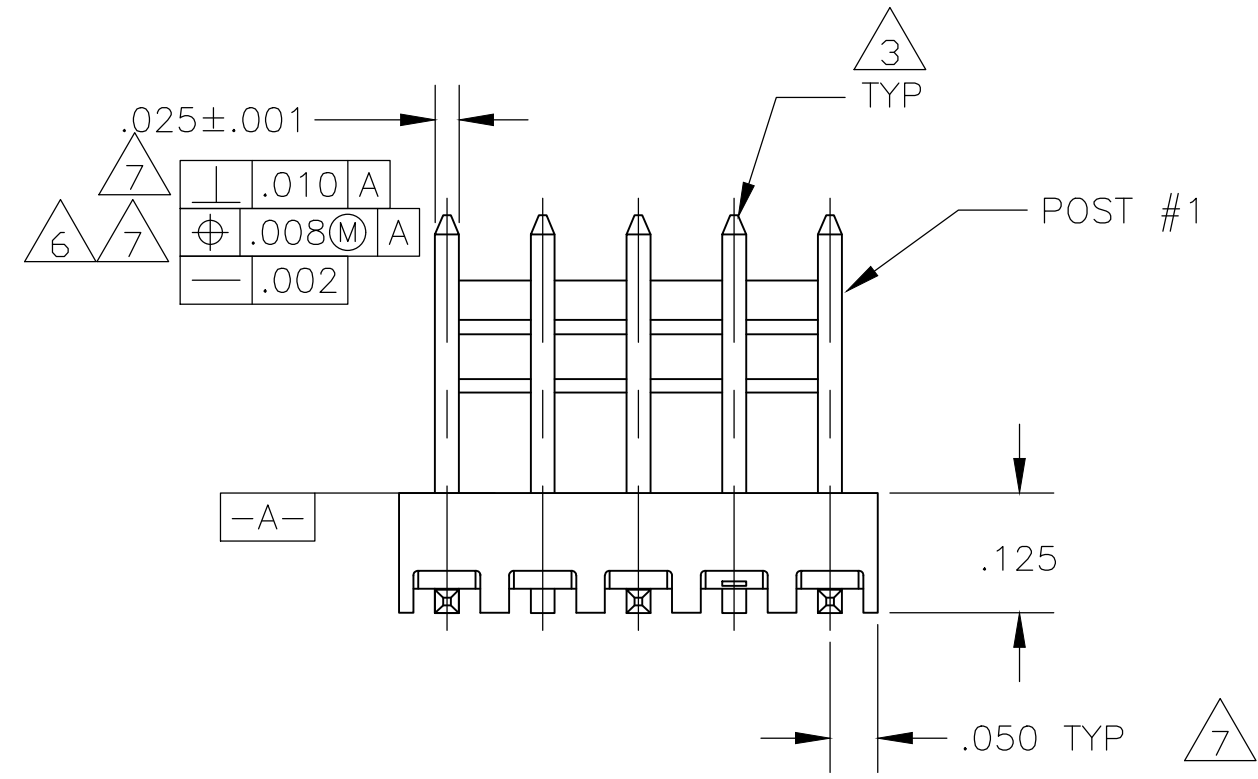
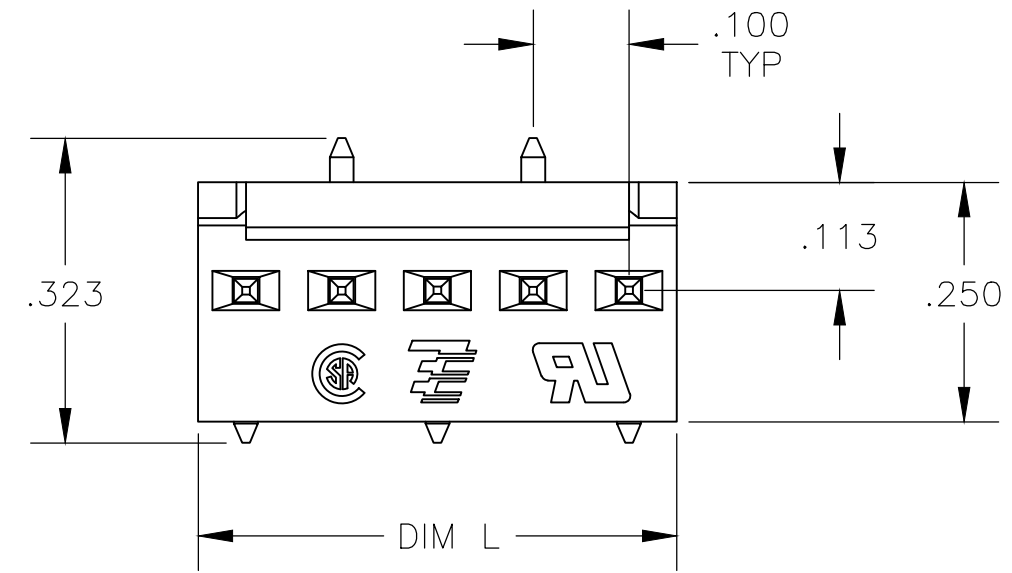


1.26 [32mm]	1 REQ'D	1 REQ'D	4	1744382-4
DIM A	PICK AND PLACE COVER	HEADER ASSEMBLY	NO. OF POSITIONS	PART NO

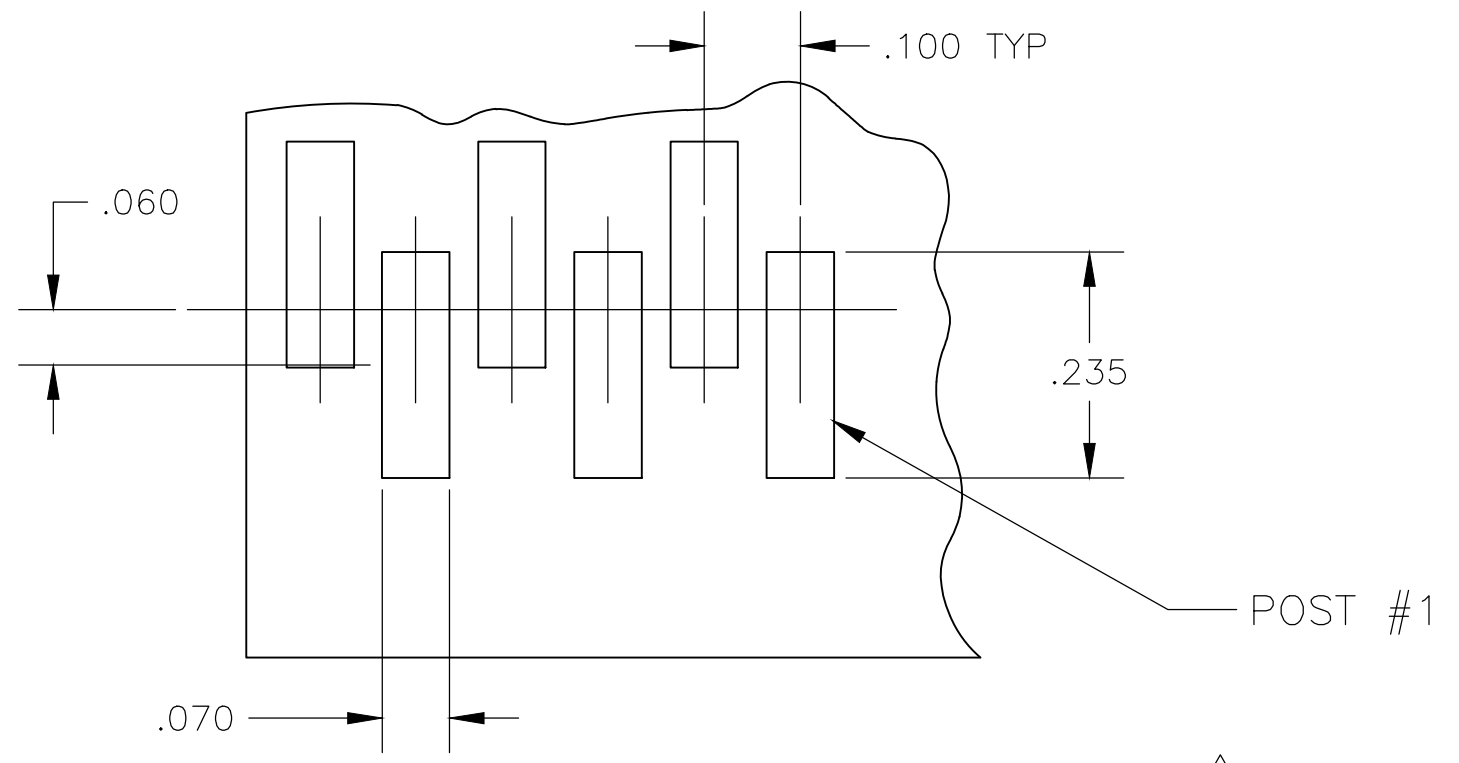
THIS DRAWING IS A CONTROLLED DOCUMENT.		DWN jr ruth 30MAR11	 MTA100 HEADER ASSY, SURFACE MOUNT, FRICTION LOCK, .025 SQ. POST, TAPE W/CAP	
DIMENSIONS: INCHES		CHK SAM MACE 30MAR11		
TOLERANCES UNLESS OTHERWISE SPECIFIED:		APVD SAM MACE 30MAR11		
0 PLC ± - 1 PLC ± - 2 PLC ± - 3 PLC ± .015 4 PLC ± - ANGLES ± 1°		PRODUCT SPEC 108-1050 APPLICATION SPEC 114-1019		
MATERIAL -	FINISH -	WEIGHT	SIZE A2	CAGE CODE 00779
		CUSTOMER DRAWING	DRAWING NO C-1744382	RESTRICTED TO -
		SCALE 3:1	SHEET 2 of 4	REV A6

THIS DRAWING IS UNPUBLISHED. RELEASED FOR PUBLICATION  
 © COPYRIGHT - By - ALL RIGHTS RESERVED.

REVISIONS				
P	LTR	DESCRIPTION	DATE	APVD
-	-	SEE SHEET 1	-	-



MTA-100 HEADER SHOWN



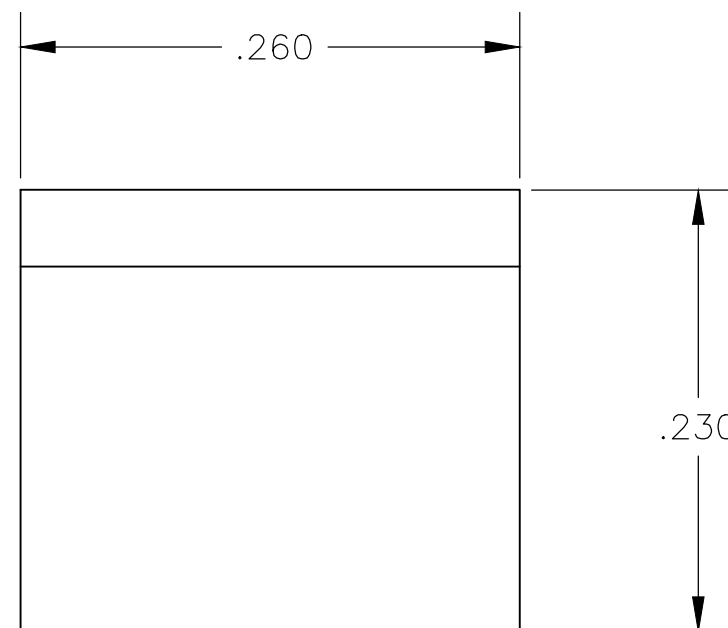
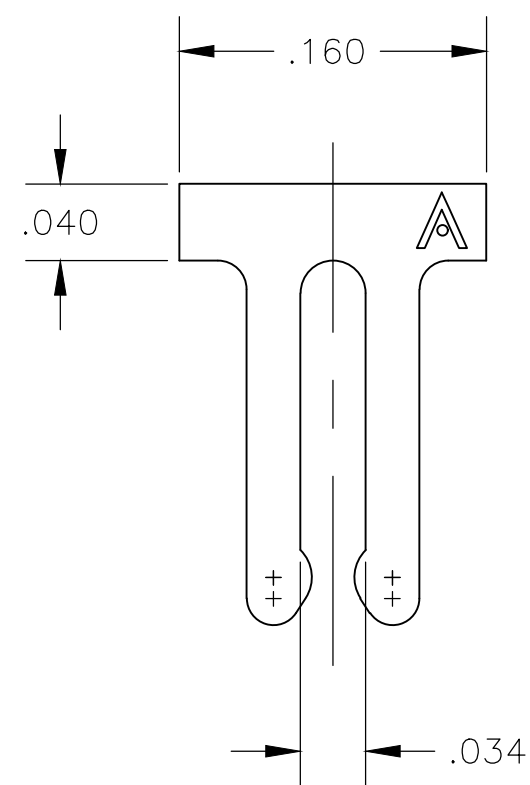
RECOMMENDED P.C. BOARD LAYOUT FOR USE WITH .010 THICK STENCIL

DIM L	NO. OF POSITIONS	PART NO
1.200 [30.48mm]	12	1-1744382-2
.800 [20.32mm]	8	1744382-8
.700 [17.78mm]	7	1744382-7
.600 [15.24mm]	6	1744382-6
.500 [12.70mm]	5	1744382-5
.400 [10.16mm]	4	1744382-4

THIS DRAWING IS A CONTROLLED DOCUMENT.		DWN jr ruth 30MAR11	TE Connectivity	
DIMENSIONS: INCHES		CHK SAM MACE 30MAR11	NAME MTA100 HEADER ASSY, SURFACE MOUNT, FRICTION LOCK, .025 SQ. POST, TAPE W/CAP	
TOLERANCES UNLESS OTHERWISE SPECIFIED: 0 PLC ± - 1 PLC ± - 2 PLC ± - 3 PLC ± .015 4 PLC ± - ANGLES ± 1°		APVD SAM MACE 30MAR11	PRODUCT SPEC 108-1050	
MATERIAL		APPLICATION SPEC 114-1019	SIZE A2	RESTRICTED TO
FINISH		WEIGHT	CAGE CODE 00779	DRAWING NO 1744382
		CUSTOMER DRAWING	SCALE 3:1	SHEET 3 of 4
			REV A6	


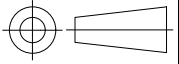
THIS DRAWING IS UNPUBLISHED.      RELEASED FOR PUBLICATION      - . - .  
 © COPYRIGHT - By -      ALL RIGHTS RESERVED.

REVISIONS					
P	LTR	DESCRIPTION	DATE	DWN	APVD
-	-	SEE SHEET 1	-	-	-



CAP FOR HEADER

1744382

THIS DRAWING IS A CONTROLLED DOCUMENT.		DWN jr ruth 30MAR11	 TE Connectivity		
DIMENSIONS: INCHES		CHK SAM MACE 30MAR11			
		APVD SAM MACE 30MAR11	MTA100 HEADER ASSY, SURFACE MOUNT, FRICTION LOCK, .025 SQ. POST, TAPE W/CAP		
TOLERANCES UNLESS OTHERWISE SPECIFIED:		PRODUCT SPEC 108-1050	SIZE A2	CAGE CODE 00779	DRAWING NO. C=1744382
0 PLC ± -		APPLICATION SPEC 114-1019	RESTRICTED TO		-
1 PLC ± -		WEIGHT	SCALE 3:1 SHEET 4 OF 4 REV A6		
2 PLC ± -		CUSTOMER DRAWING			
3 PLC ± .005					
4 PLC ± -					
ANGLES ± 1°					
MATERIAL					
FINISH					