

THIS DRAWING IS UNPUBLISHED.

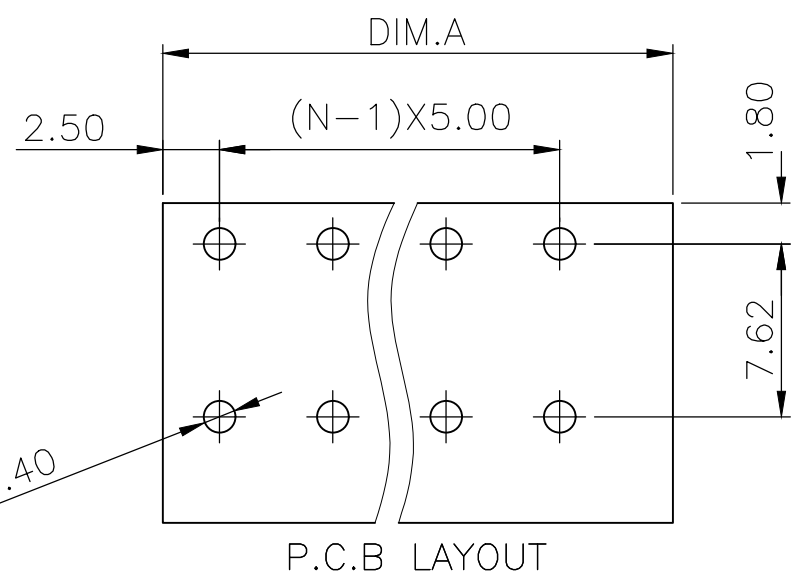
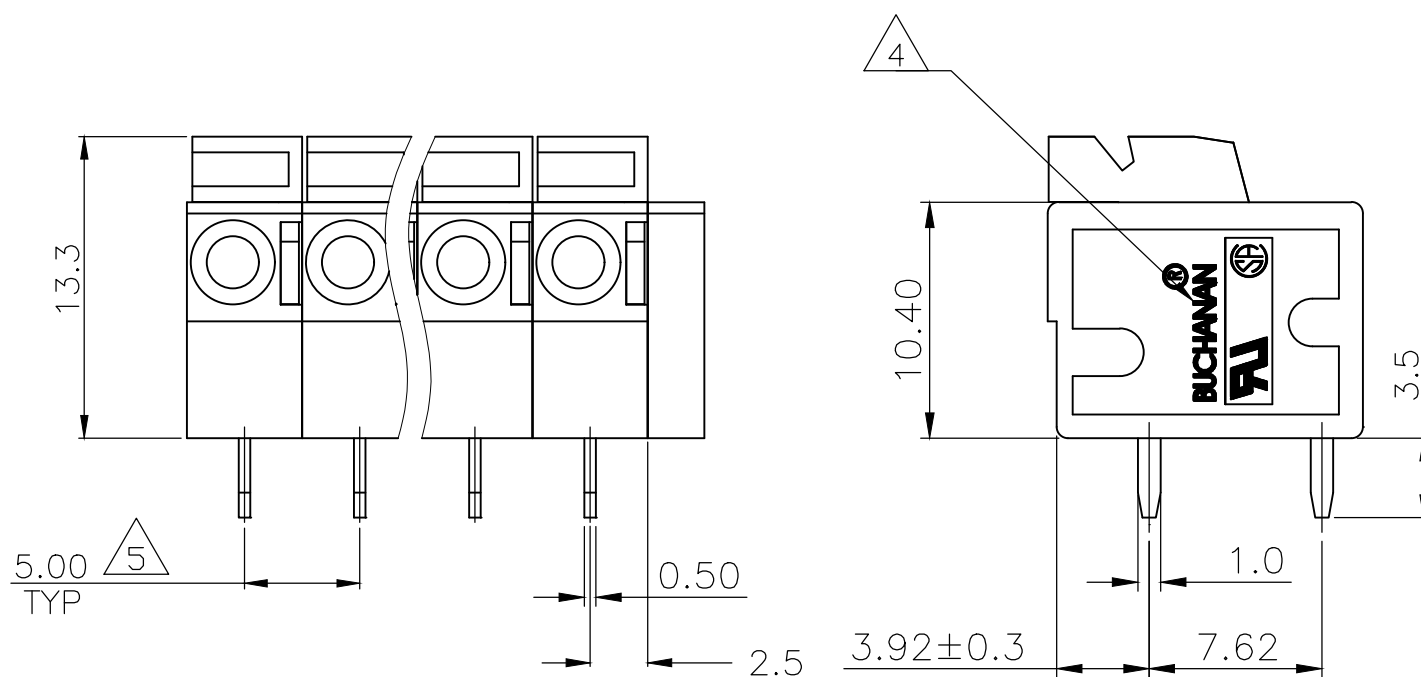
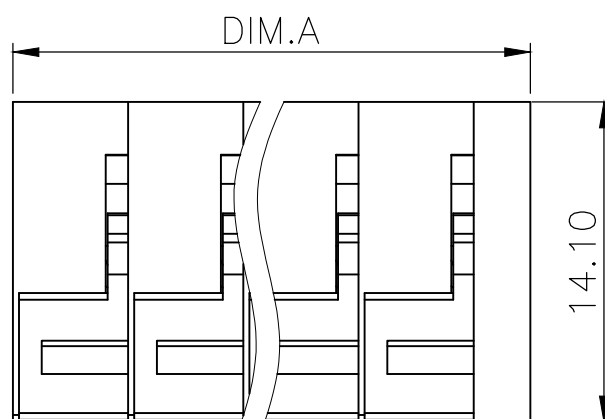
RELEASED FOR PUBLICATION

REVISIONS

© COPYRIGHT - TE Connectivity Ltd.

ALL RIGHTS RESERVED.

P	LTR	DESCRIPTION	DATE	DWN	APVD
	R	DESIGN IMPROVEMENT	22JUL2019	RK	PS



N=NUMBER OF CONTACTS

62.50	12	1-1776261-2
57.50	11	1-1776261-1
52.50	10	1-1776261-0
47.50	9	1776261-9
42.50	8	1776261-8
37.50	7	1776261-7
32.50	6	1776261-6
27.50	5	1776261-5
22.50	4	1776261-4
17.50	3	1776261-3
12.50	2	1776261-2
DIM. A	NO. OF POS.	PART NUMBER

THIS DRAWING IS A CONTROLLED DOCUMENT.		DWN S SCHLEGEL 5/6/05	TE Connectivity Ltd.		
DIMENSIONS: mm		CHK C RICHARD 5/6/05			
TOLERANCES UNLESS OTHERWISE SPECIFIED:		APVD C RICHARD 5/6/05	NAME		
0 PLC ± -		PRODUCT SPEC	TERMINAL BLOCK, BOARD MT. SCREWLESS		
1 PLC ± 0.3		APPLICATION SPEC	SIDE WIRE ENTRY, 5.0mm PITCH		
2 PLC ± 0.2		WEIGHT -	SIZE A3	CAGE CODE 00779	DRAWING NO C-1776261
3 PLC ± -		MATERIAL -	RESTRICTED TO		-
4 PLC ± -			CUSTOMER DRAWING		
ANGLES ± -		SCALE NTS		SHEET 1 OF 2	REV R
FINISH -					

THIS DRAWING IS UNPUBLISHED.

RELEASED FOR PUBLICATION

-. -. .

REVISIONS

© COPYRIGHT - TE Connectivity Ltd.

ALL RIGHTS RESERVED.

P	LTR	DESCRIPTION	DATE	DWN	APVD
-	-	SEE SHEET 1	-	-	-

1. MATERIAL:  
HOUSING: POLYAMIDE, UL94V-0, GREEN.  
CONTACT: COPPER ALLOY, TIN PLATED.  
WIRE GUARD: STAINLESS STEEL.
2. ELECTRICAL:  
MAX. CURRENT RATING: 10 A.  
CONTACT RESISTANCE: 20mΩ MAX.  
INSULATION RESISTANCE: 500MΩ/500VAC.  
DIELECTRIC WITHSTANDING VOLTAGE: 2000VAC MIN.  
OPERATING VOLTAGE: 300VAC.  
WIRE RANGE: 14-22AWG.
3. MECHANICAL:  
WIRE RETENTION FORCE: 1.2 KG (MIN).  
OPERATING TEMPERATURE: -55°C TO +105°C.

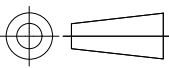
APPLICATION AND FEATURES:

- THIS SCREWLESS TERMINALS ARE SUITABLE FOR BOTH SOLID AND STRANDED CONDUCTORS.
- A SPRING MADE OF STAINLESS STEEL GUARANTEES FOR PERMANENT AND SAFE CONTACT.
- THIS IS OPERATED BY PUSHING A SCREW DRIVER ON THE LEVER. THIS LEVER IS FULLLY INTEGRATED INTO THE BODY.

△ 4 BUCHANAN LOGO, UL & CSA LOGO'S LOCATED APPROX. AS SHOWN.  
TEXT MUST BE LEGIBLE.

△ 5 NON CUMULATIVE

△ 6 OBSOLETE

THIS DRAWING IS A CONTROLLED DOCUMENT.		DWN S SCHLEGEL	5/6/05	<b>STE</b> TE Connectivity Ltd.	
		CHK C RICHARD	5/6/05		
DIMENSIONS: mm		TOLERANCES UNLESS OTHERWISE SPECIFIED:		NAME TERMINAL BLOCK, BOARD MT. SCREWLESS, SIDE WIRE ENTRY, 5.0mm PITCH	
		0 PLC	± -	APVD C RICHARD	
		1 PLC	± 0.3	5/6/05	
		2 PLC	± 0.25	PRODUCT SPEC	
		3 PLC	± -	APPLICATION SPEC	
		4 PLC	± -	SIZE	
		ANGLES	± -	CAGE CODE	
MATERIAL		FINISH		DRAWING NO	
-		-		A3 00779 C-1776261	
				RESTRICTED TO	
				-	
CUSTOMER DRAWING			SCALE	SHEET	REV
			NTS	2 OF 2	R