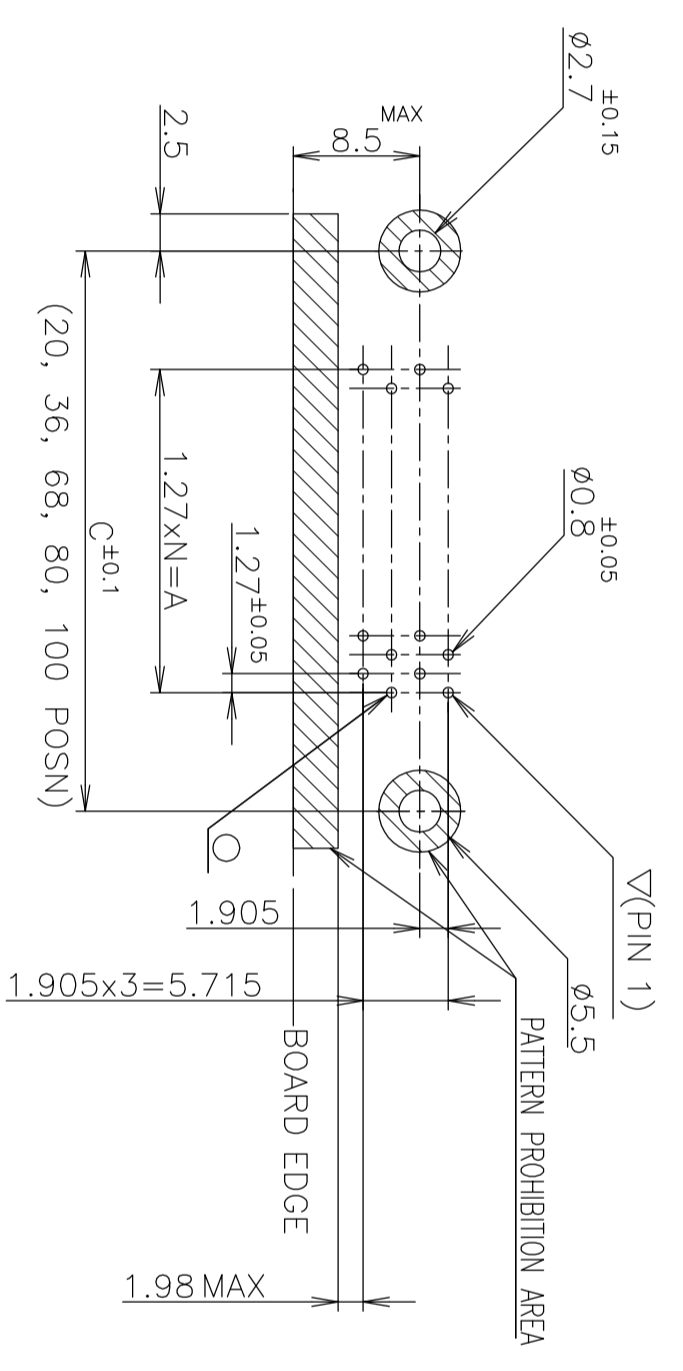
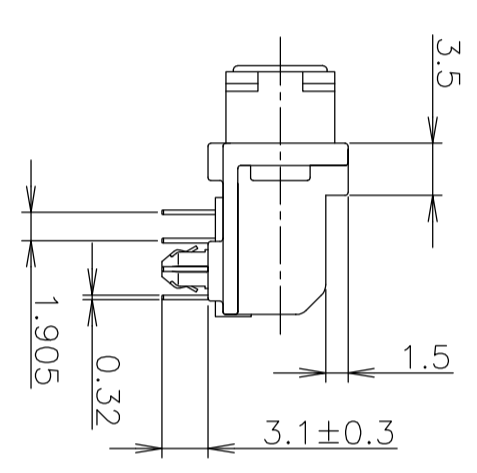
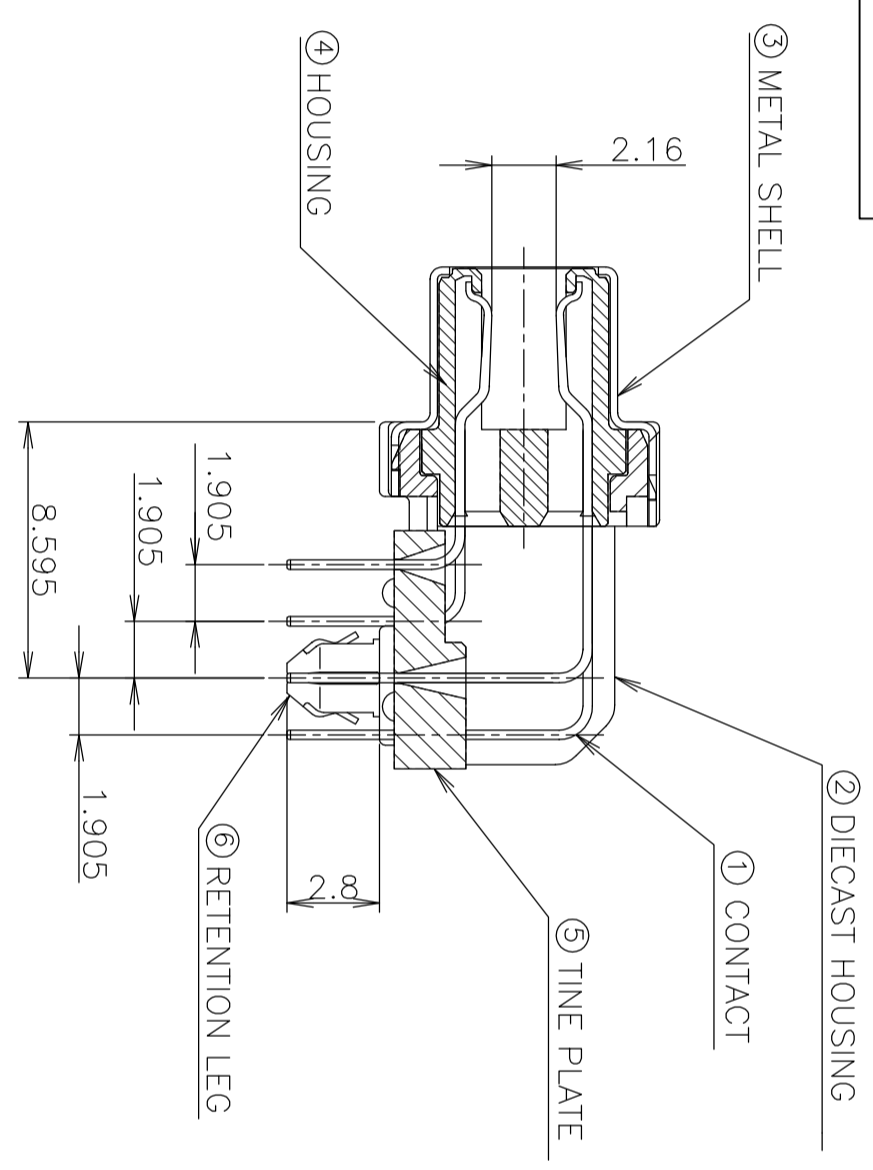


RECOMMENDED PANEL CUTOUT  
 THK. 2mm MAX



RECOMMENDED PC BOARD MOUNTING DIMENSION  
 (COMPONENT SIDE)

LEAD FREE

LOC	DIST	REVISIONS	DATE	DMN	APRD
J	P	DESCRIPTION			
	LTR	REV PER ECR-06-023863	1SEP06	S.L	S.Y
	O				

ITEM	MATERIAL	FINISH
①	COPPER ALLOY	NICKEL UNDER PLATE ALL OVER CONTACT AREA : Au(0.3u, 0.76u) SOLDER TINE AREA : TIN PLATE
②	ZINC	NICKEL PLATING
③	STEEL t0.25	NICKEL PLATE OVER COPPER UNDERPLATE
④	THERMO-PLASTIC(UL:94V-0)	COLOR: BLACK
⑤		
⑥	COPPER ALLOY	TIN PLATE OVER NICKEL UNDERPLATE

- NOTES:
- RECOMMENDED SCREW SIZE : M2.6 PANHEAD SCREW(L=5)
  - RECOMMENDED P.C BOARD THICKNESS : 1.6mm (REF)
  - CONNECTOR TO BE MATED:175677
  - INSERTION FORCE OF RETENTION LEG TO P.C.B: 21.56N(2.2kgf) MAX/CONNECTOR.
  - RETENTIVITY OF RETENTION LEG TO P.C.B: 4.9N(0.5kgf) MIN/CONNECTOR.

	N	F	E	D	C	B	A	Au P.LT.	POSITION	CONNECTOR P./N
17	33.9	33.61	43.51	37.61	26.59	21.59	0.76um	36	2-5178238-5	
N										

THIS DRAWING IS A CONTROLLED DOCUMENT.

DMN	SIMON.LI	1SEP06	
CHK	GAVIN.ZHANG	1SEP06	
APRD	STEVEN.YAO	1SEP06	

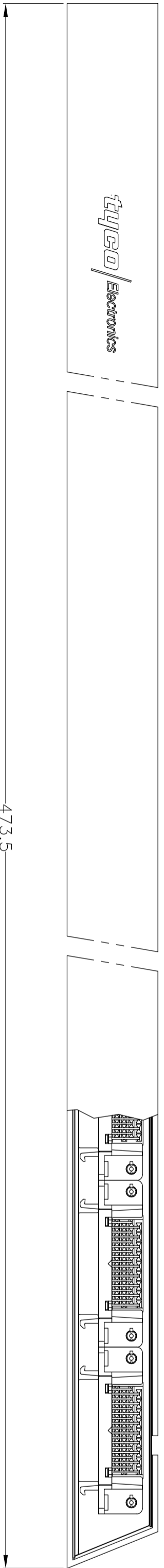
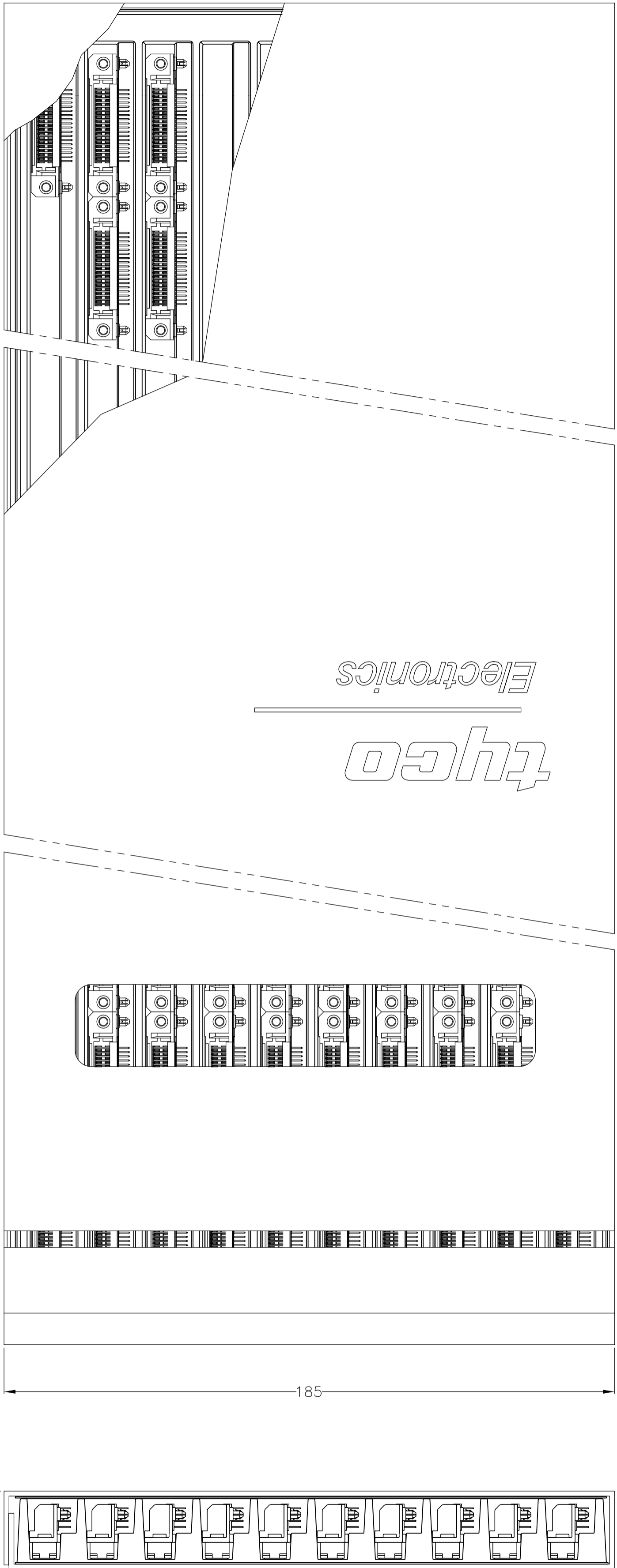
Product Name: **tyco** Electronics  
 Kawasoki, Japan  
 Tyco Electronics AMP K.K.

RECEPTACLE HDR ASSY (3.1mm)  
 RETENTION LEG TYPE  
 STANDARD CHAMP.050 SERIES (II)

SIZE	A2	DATE	00779
WEIGHT		SCALE	1939951

CUSTOMER DRAWING

LOC	DIST	REV	DESCRIPTION	DATE	OWN	APPD
J		P	LTR			
			SEE SHEET 1			



THIS DRAWING IS A CONTROLLED DOCUMENT.		DMN	1SEP06	TRAY	2-5178238-5	2-1939951-5
DIMENSIONS:		QTY	1SEP06	PACKING	CONNECTOR P/N	PART NUMBER
mm		OK	1SEP06	Tyco Electronics AMP K.K.		
TOLERANCES UNLESS OTHERWISE SPECIFIED:		NAME	Kawasaki, Japan			
0 PLG	± .1	APPD	STEVEN YAO			
1 PLG	± .1	PRODUCT SPEC	108-5288			
2 PLG	± .1	APPLICATION SPEC	STANDARD CHAMP.050 SERIES (II)			
3 PLG	± .1	WEIGHT	A2 00779			
4 PLG	± .1	CUSTOMER DRAWING	G=1939951			
ANGLES	±	SCALE	N/A			
FINISH	-	SHEET	2 of 2			
		REV	0			

1939951