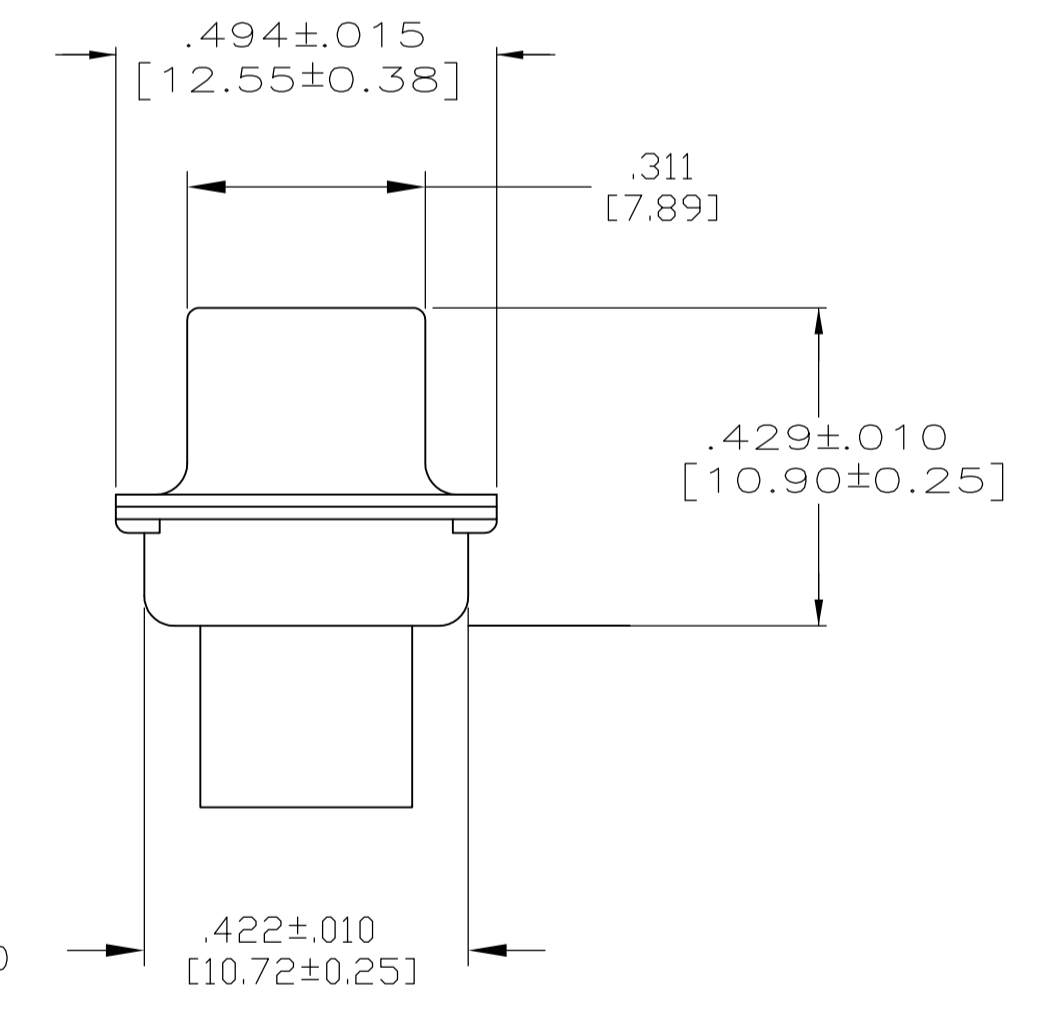
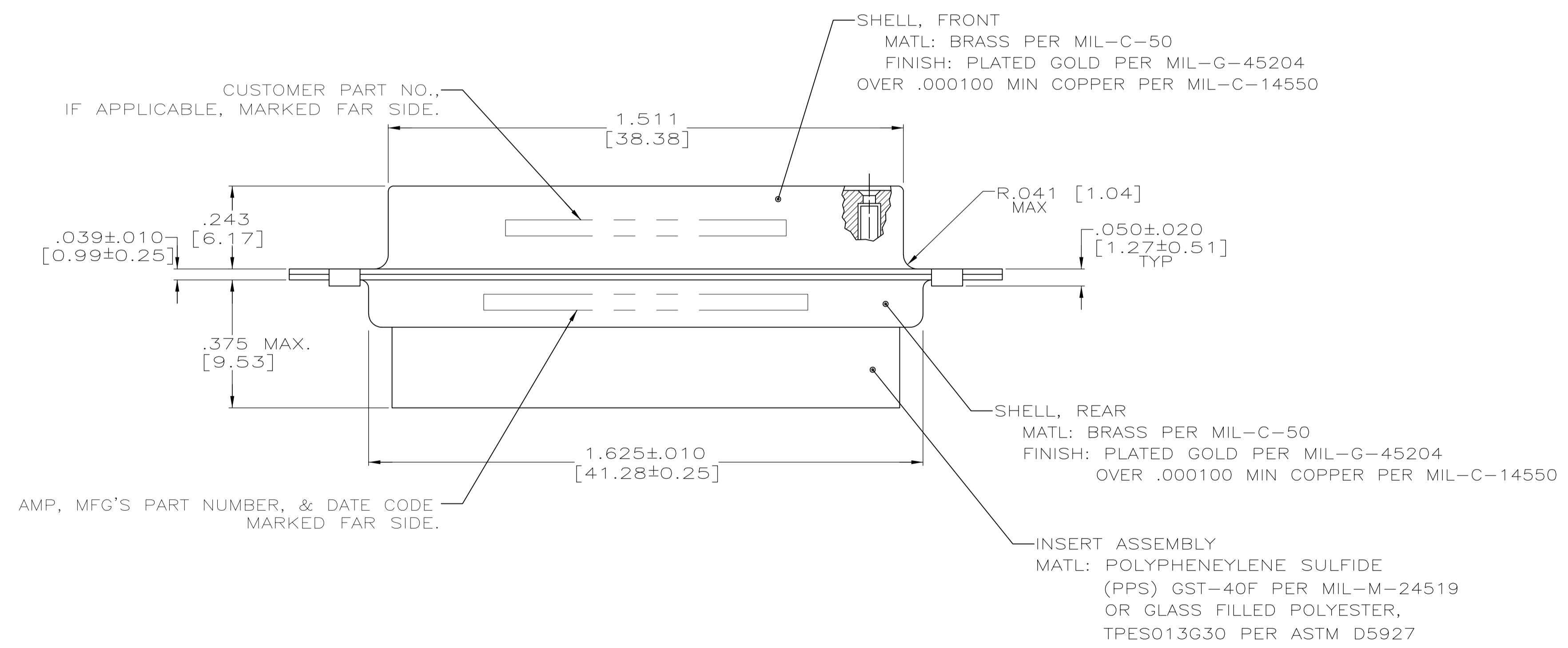
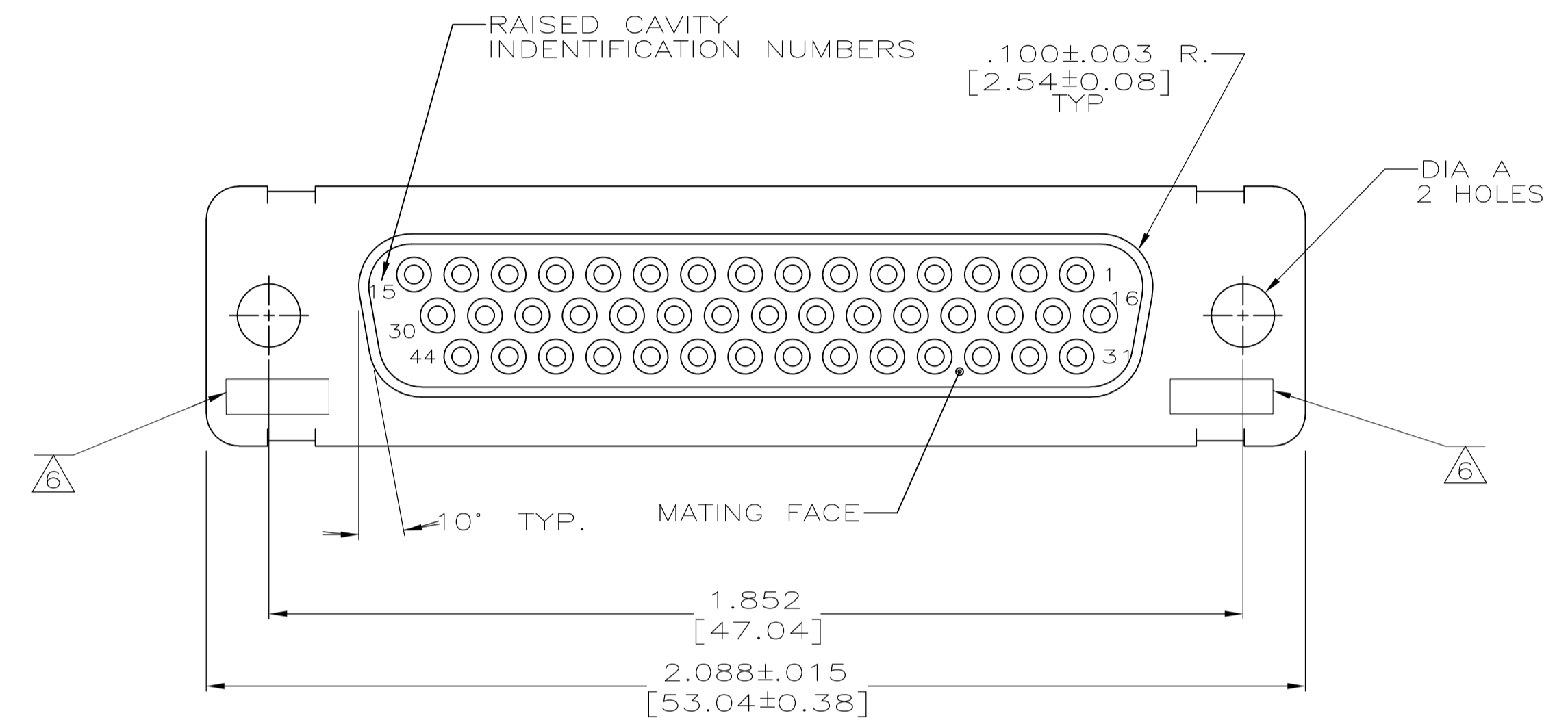


- THIS RECEPTACLE WILL MATE WITH ANY PLUG CONNECTOR WITH THE SAME INSERT ARRANGEMENT AS DEFINED BY MS18275-2.
 - MAXIMUM WIRE INSULATION USED WITH THIS RCPT. IS .054 [1.37] DIA.
 - Be-Cu RETENTION CLIPS ARE INCLUDED IN INSERTS.
- 4 INSPECTION REQUIREMENTS PER R4383.
 5 CONNECTOR SUPPLIED WITH 49 CONTACTS, MFG'S PART NUMBER 206071-1. INSPECTION REQUIREMENTS PER R4383 WITHOUT TESTS FOR HIGH ALTITUDE DIELECTRIC WITHSTANDING VOLTAGE AS CALLED FOR IN TABLE II SCREENING AND TESTING.
 6 UL/CSA DESIGNATION MARKED IN THIS AREA, OPTIONAL
 7 SPECIAL TESTING PER GE DOCUMENT 20025720. CONNECTOR SUPPLIED WITH 54 CONTACTS, MFG'S P/N 206071-1.
 8 RESTRICTED TO CAE ELECTRONICS ONLY.
 9 THESE CONNECTORS ARE QUALIFIED TO GODDARD SPACE FLIGHT CENTER SPECIFICATION S-311-P-4.



MFG'S P/N 206071-1
 GSFC P/N G-08-S1
 (SUPPLIED WITH 206064-7 AND 206064-8 ONLY)

8/9	.120 [3.05]	570566-3	1-206064-0	1-206064-0
7	.120 [3.05]	311P407-3S-B-12	206064-4	206064-9
5	.120 [3.05]	20025720P1044S	206064-8	206064-8
	.120 [3.05]	R4383P44S	206064-7	206064-7
	.120 [3.05]	---	206064-6	206064-6
4	.120 [3.05]	R4383P44S-2	206064-5	206064-5
9	.120 [3.05]	311P407-3S-B-12	206064-4	206064-4
	.154 [3.91]	---	206064-3	206064-3
9	.154 [3.91]	311P407-3S-B-15	206064-2	206064-2
	.120 [3.05]	R9259P44S	206064-1	206064-1
REMARKS	DIA A	CUSTOMER P/N ON CONNECTOR	AMP P/N ON CONNECTOR	MFG'S P/N

THIS DRAWING IS A CONTROLLED DOCUMENT. DATE: 05OCT06
 DIMENSIONS: INCHES. TOLERANCES UNLESS OTHERWISE SPECIFIED:
 0 PLC ± -
 1 PLC ± -
 2 PLC ± -
 3 PLC ± .005
 4 PLC ± -
 ANGLES ± -
 MATERIAL: SEE CALLOUTS. FINISH: SEE CALLOUTS.
 WEIGHT: -. SIZE: A1. CAGE CODE: 00779. DRAWING NO: 206064.
 CUSTOMER DRAWING. SCALE: 4:1. SHEET: 1 OF 1. REV: W.

STE TE Connectivity
 NAME: AMPLIMITE NONMAGNETIC RCPT ASSY SERIES 90, SHELL SIZE 3, 44 POSN
 APPLICATION SPEC: ---
 RESTRICTED TO: ---