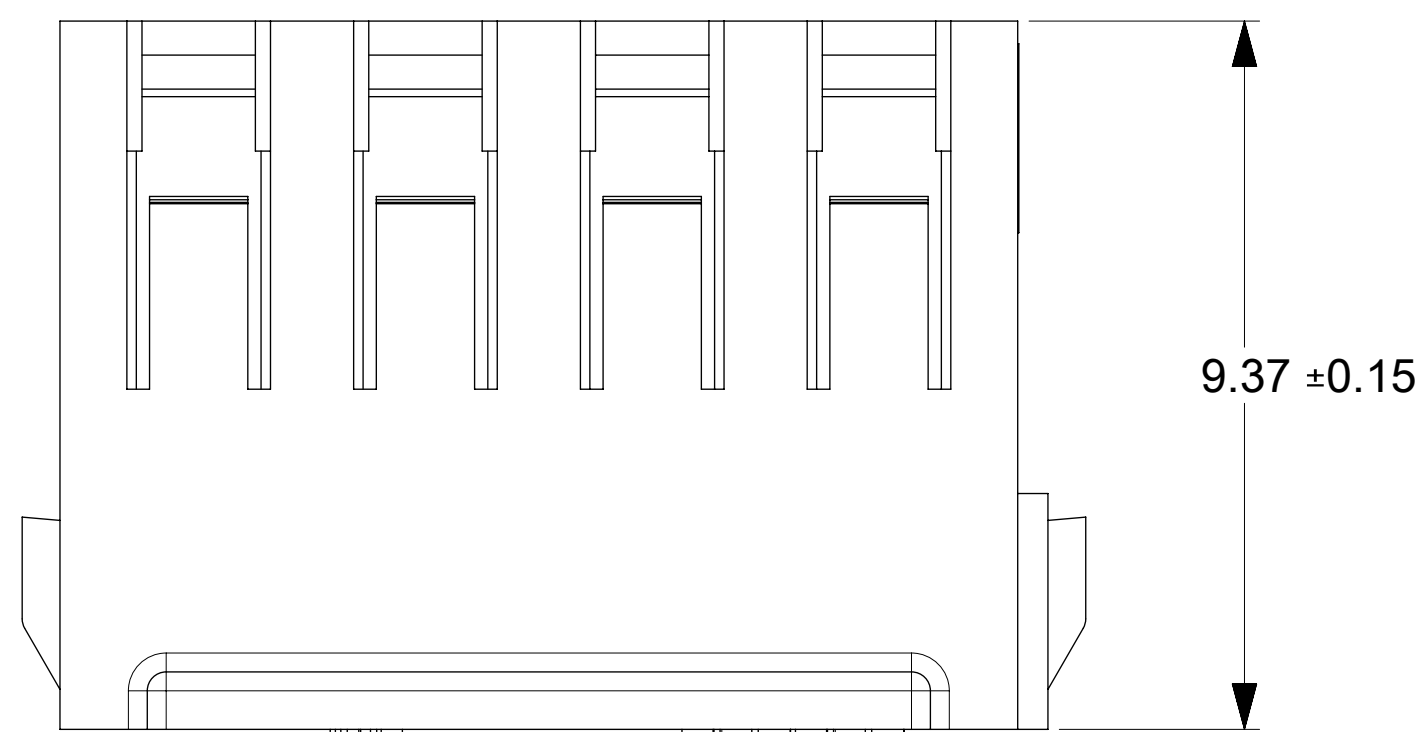
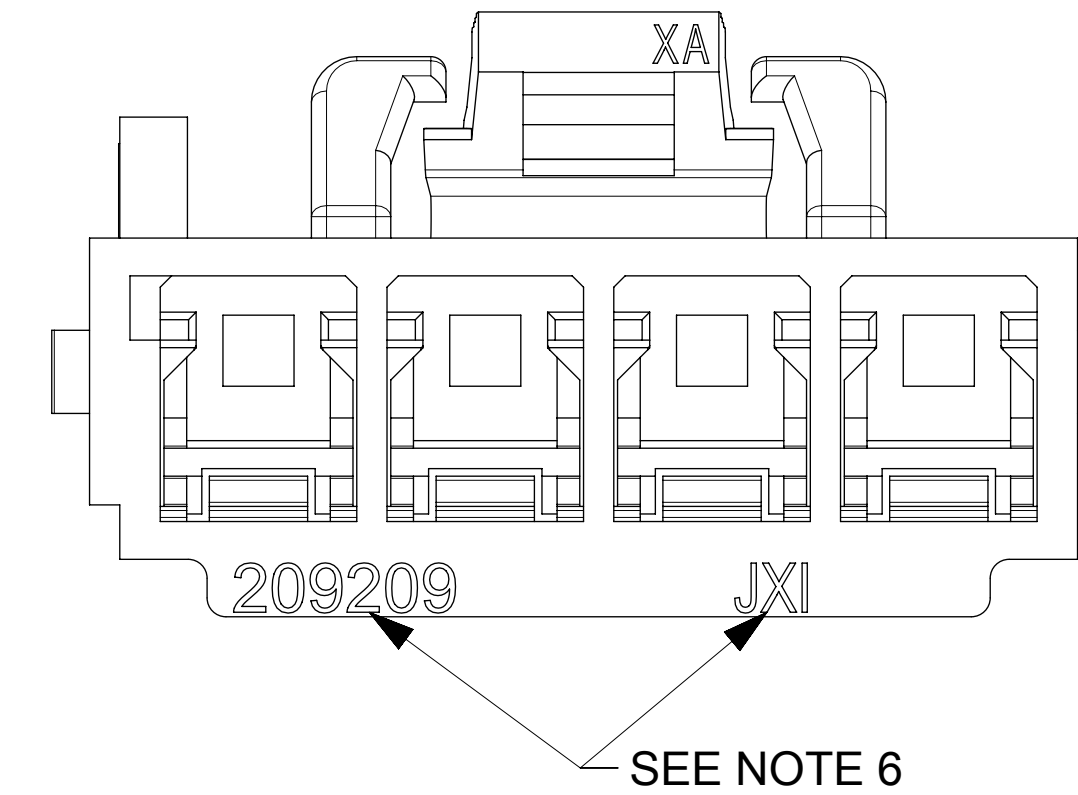
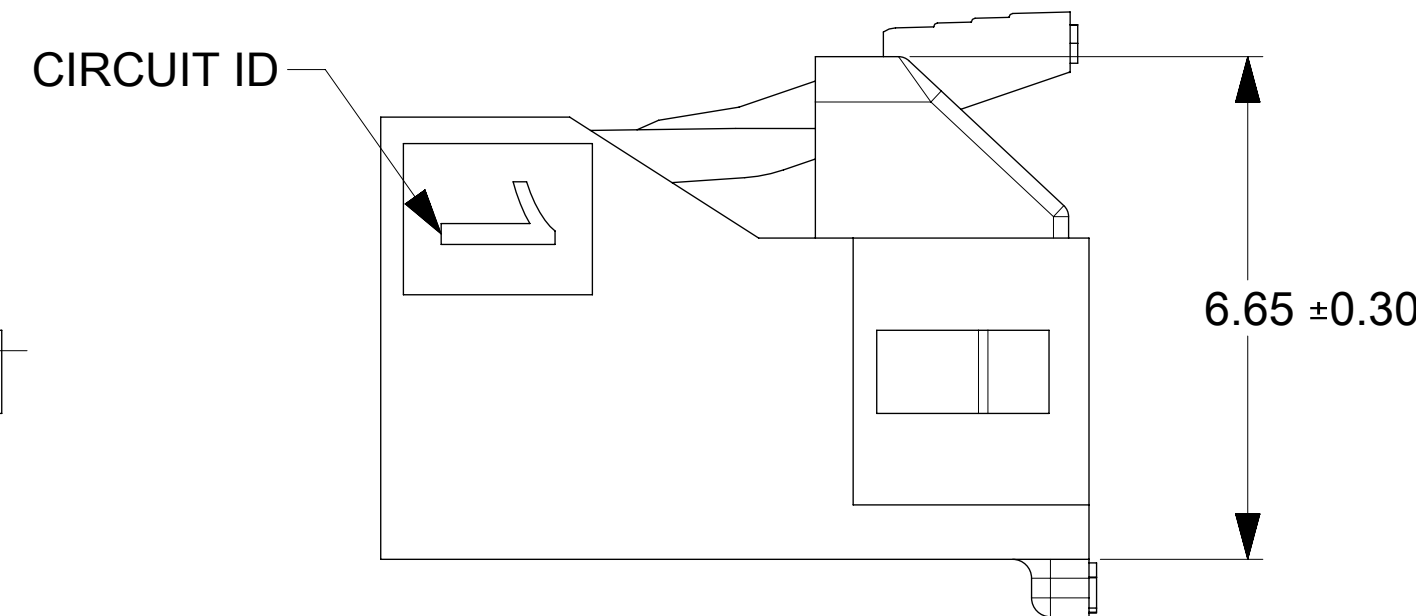
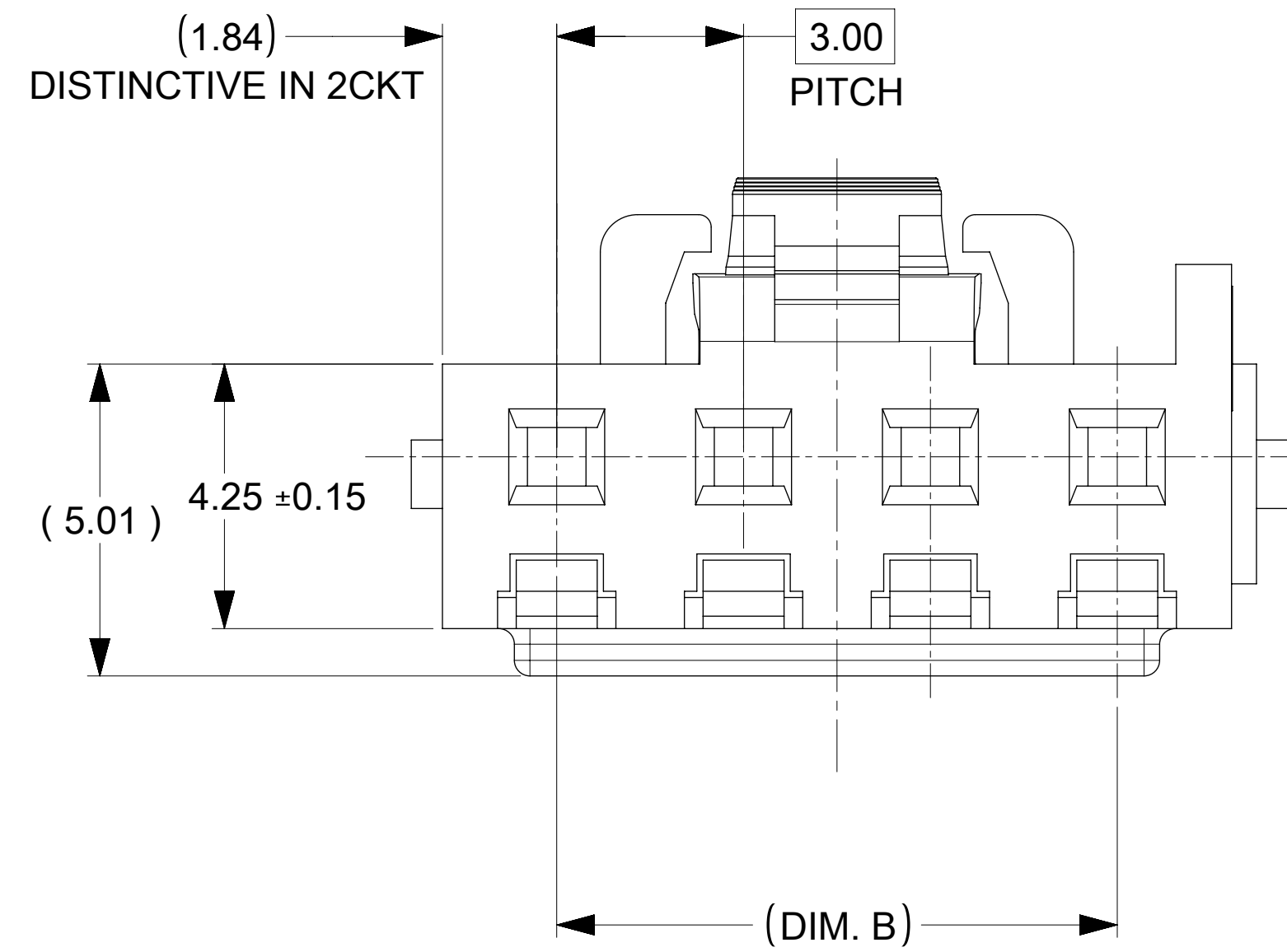
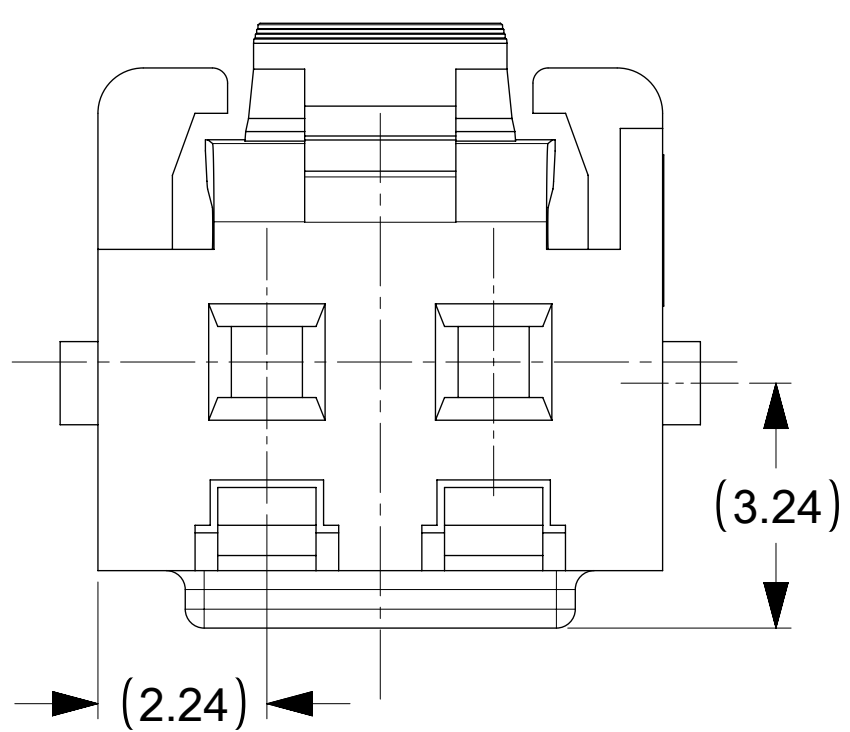


ISOMETRIC VIEW FOR 4 CIRCUIT



DISTINCTIVES IN 2 CIRCUIT



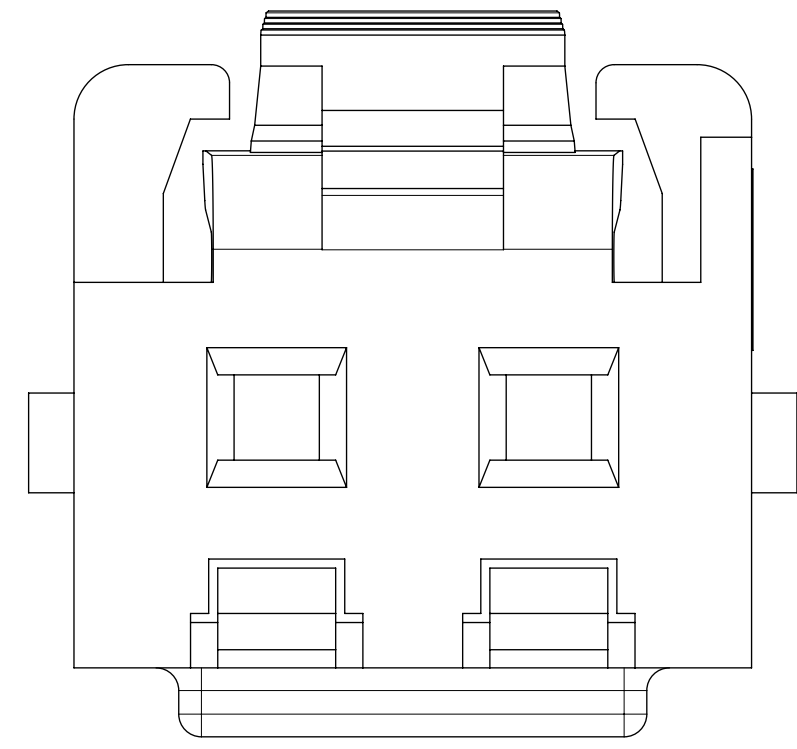
CKT	PART NUMBER	DIM. A	DIM. B
02	2092090002	7.47	3.00
03	2092090003	9.67	6.00
04	2092090004	12.67	9.00

- NOTES:**
- MATERIAL: PA66, UL 94V-0, COLOR-BLACK
  - PRODUCT SPECIFICATION: 2092080000-PS
  - PACKAGING SPECIFICATION: 2092090000-PK
  - COSMETIC SPECIFICATION: PS-45499-002, CLASS B
  - HOUSING ACCEPTS TERMINALS FROM 206396 SERIES AND TERMINLA POSITION ASSURANCE (TPA) 209325 SERIES
  - MOLEX LOGO AND SERIES ID

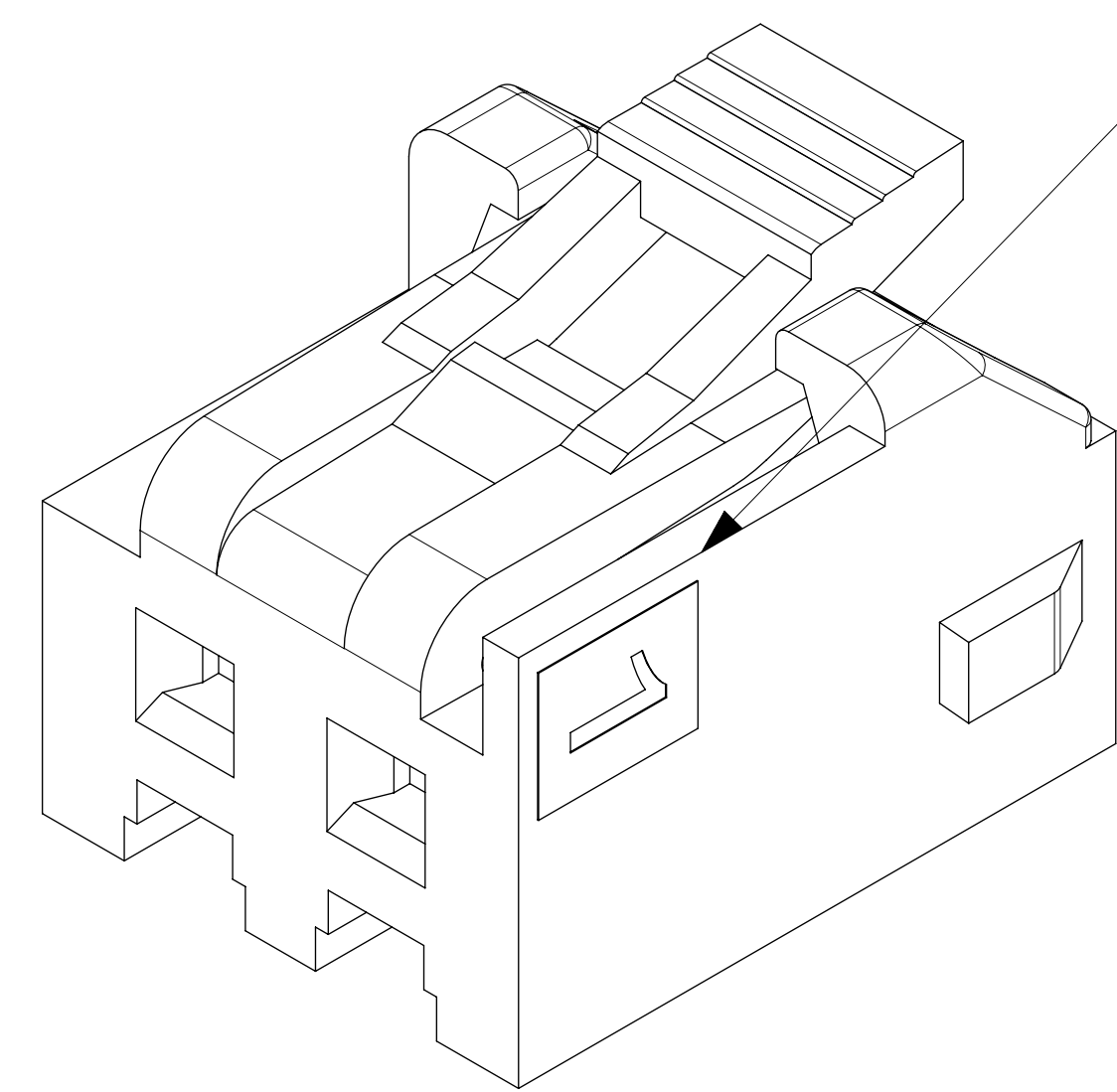
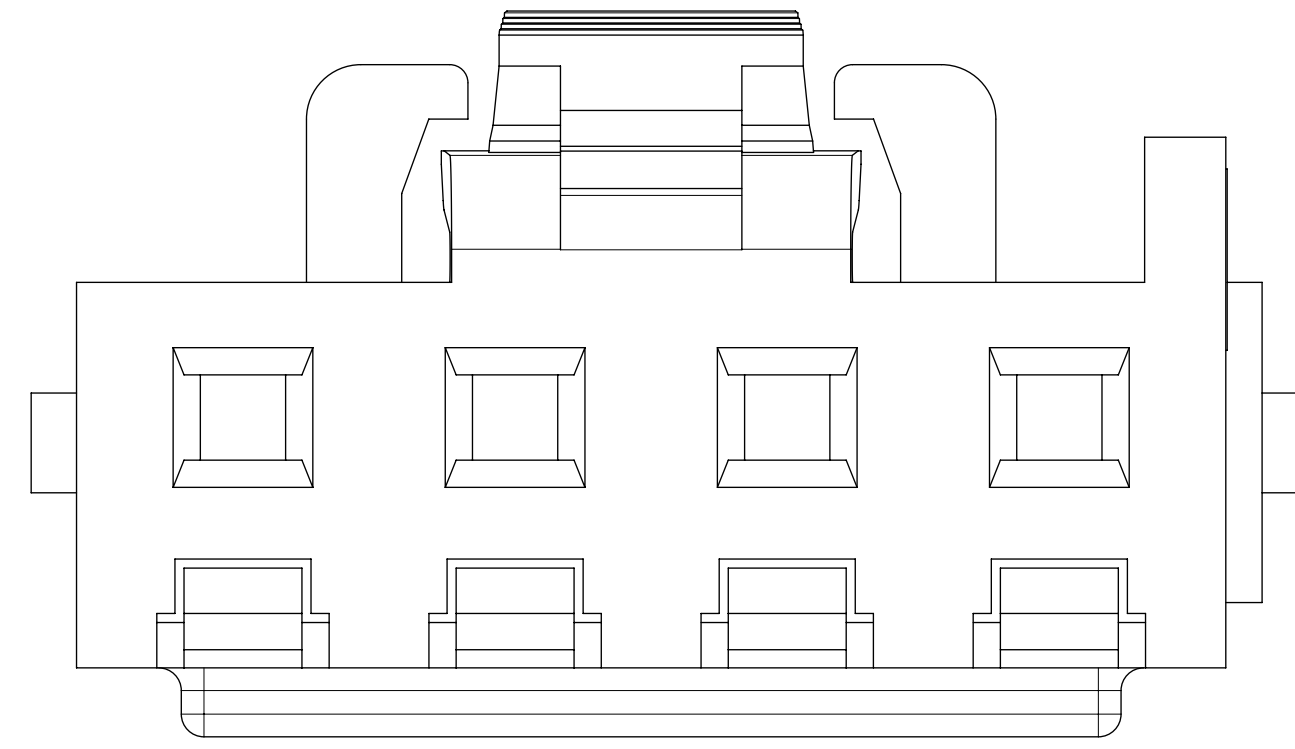
SYMBOLS		THIS DRAWING CONTAINS INFORMATION THAT IS PROPRIETARY TO MOLEX ELECTRONIC TECHNOLOGIES, LLC AND SHOULD NOT BE USED WITHOUT WRITTEN PERMISSION		CURRENT REV DESC:		molex			
DIMENSION UNITS	SCALE	GENERAL TOLERANCES (UNLESS SPECIFIED)		EC NO: 707267		RECEPTACLE HOUSING FOR KK PLUS 300 WTB CONNECTOR SYSTEM			
▽ = 0	mm	10:1	ANGULAR TOL ± 0.5°		DRWN: SHRUTJ	2022/05/17	PRODUCT CUSTOMER DRAWING		
▽ = 0	4 PLACES ±		3 PLACES ±		CHK'D: SHRUTJ	2022/05/18	DOCUMENT NUMBER		
▽ = 0	2 PLACES ± 0.25		1 PLACE ± 0.3		APPR: ISHWARG	2022/05/19	DOC TYPE DOC PART REVISION		
▽ = 0	0 PLACES ±		DRAFT WHERE APPLICABLE MUST REMAIN WITHIN DIMENSIONS		INITIAL REVISION:		2092090000-SD		
☒ = 0	THIRD ANGLE PROJECTION		DRAWING		DRWN: GSHARMA	2019/01/16	PSD 000 A1		
■ = 0	D-SIZE		SERIES		APPR: ISHWARG	2020/05/22	MATERIAL NUMBER CUSTOMER SHEET NUMBER		
▽ = 0	DRAFT WHERE APPLICABLE MUST REMAIN WITHIN DIMENSIONS		D-SIZE		209209	SEE TABLE GENERAL MARKET 1 OF 2			

POLARIZATION

2CKT

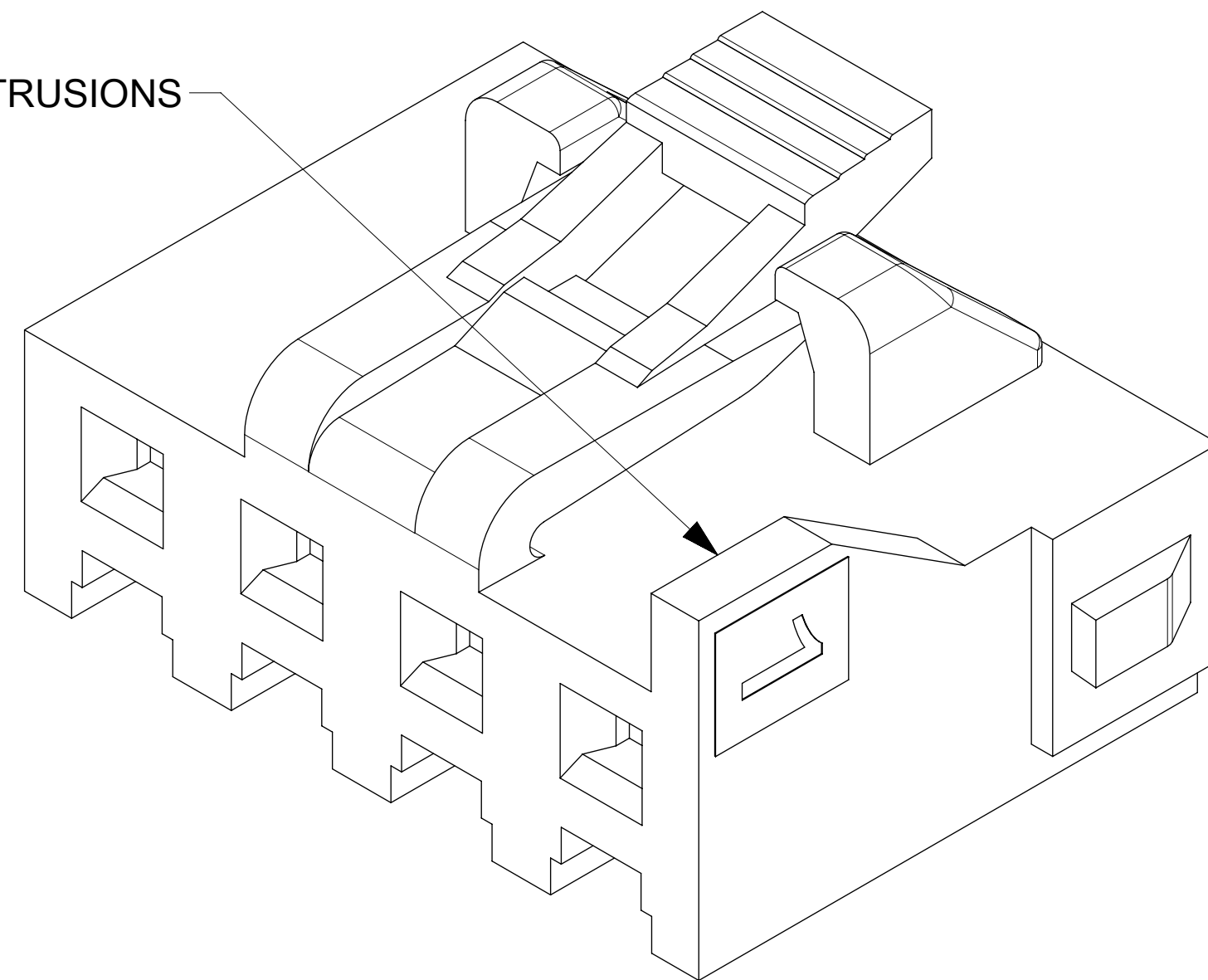


3 & 4 CKTS



ISOMETRIC OF 2CKT

KEYING PROTRUSIONS



ISOMETRIC VIEW FOR 3 & 4 CKT

SYMBOLS	THIS DRAWING CONTAINS INFORMATION THAT IS PROPRIETARY TO MOLEX ELECTRONIC TECHNOLOGIES, LLC AND SHOULD NOT BE USED WITHOUT WRITTEN PERMISSION		
	DIMENSION UNITS	SCALE	CURRENT REV DESC:
▽ = 0	mm	10:1	EC NO: 707267 DRWN: SHRUTJ 2022/05/17 CHK'D: SHRUTJ 2022/05/18 APPR: ISHWARG 2022/05/19
▽ = 0	GENERAL TOLERANCES (UNLESS SPECIFIED)		
▽ = 0	ANGULAR TOL	± 0.5°	INITIAL REVISION: DRWN: GSHARMA 2019/01/16 APPR: ISHWARG 2020/05/22
▽ = 0	4 PLACES	±	
▽ = 0	3 PLACES	±	DOCUMENT NUMBER: 2092090000-SD DOC TYPE: PSD DOC PART: 000 REVISION: A1
▽ = 0	2 PLACES	± 0.25	
▽ = 0	1 PLACE	± 0.3	MATERIAL NUMBER: SEE TABLE CUSTOMER: GENERAL MARKET SHEET NUMBER: 2 OF 2
▽ = 0	0 PLACES	±	
▽ = 0	DRAFT WHERE APPLICABLE MUST REMAIN WITHIN DIMENSIONS	THIRD ANGLE PROJECTION	DRAWING: D-SIZE SERIES: 209209

**molex**

RECEPTACLE HOUSING FOR KK PLUS 300 WTB CONNECTOR SYSTEM

PRODUCT CUSTOMER DRAWING