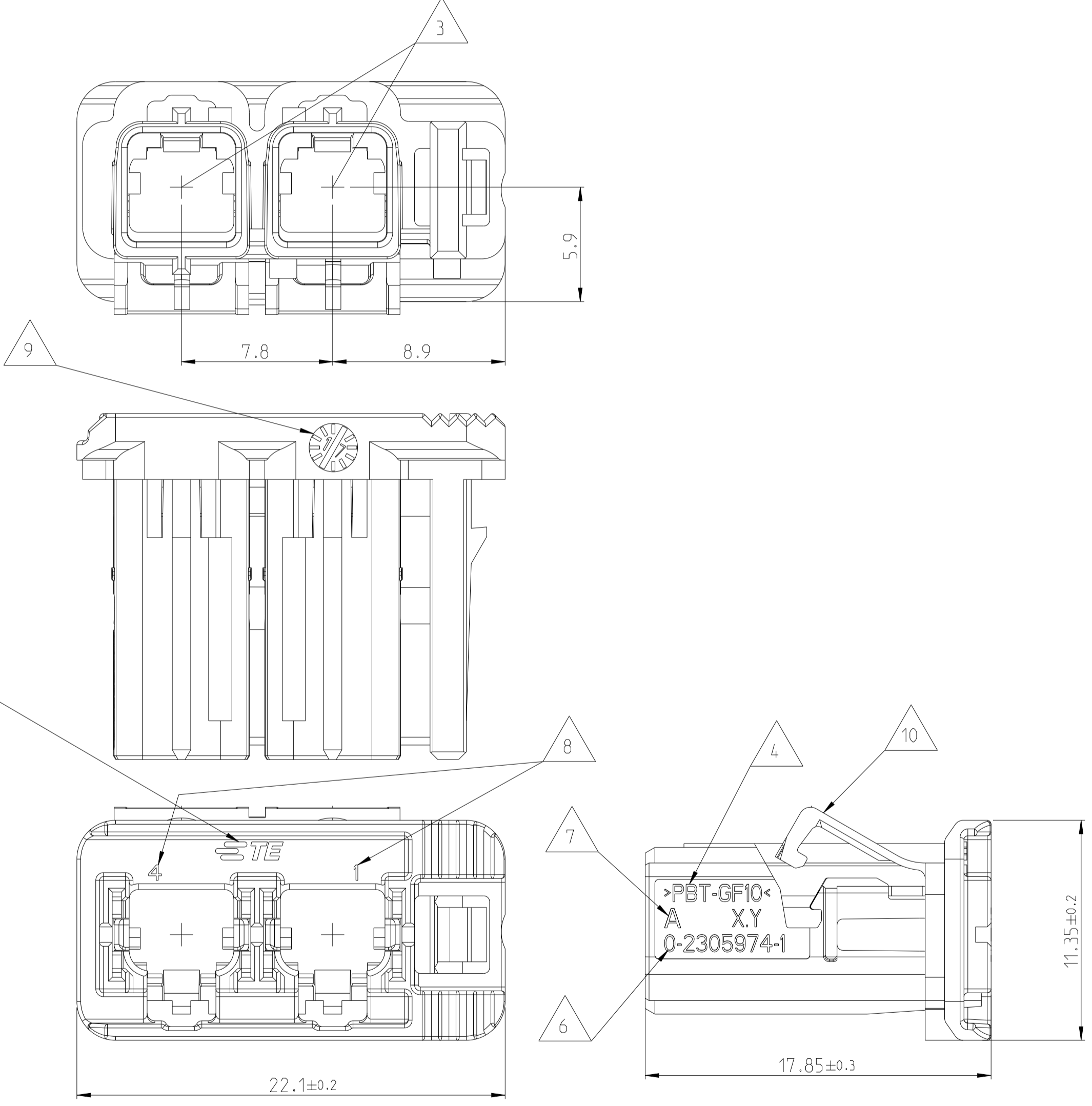
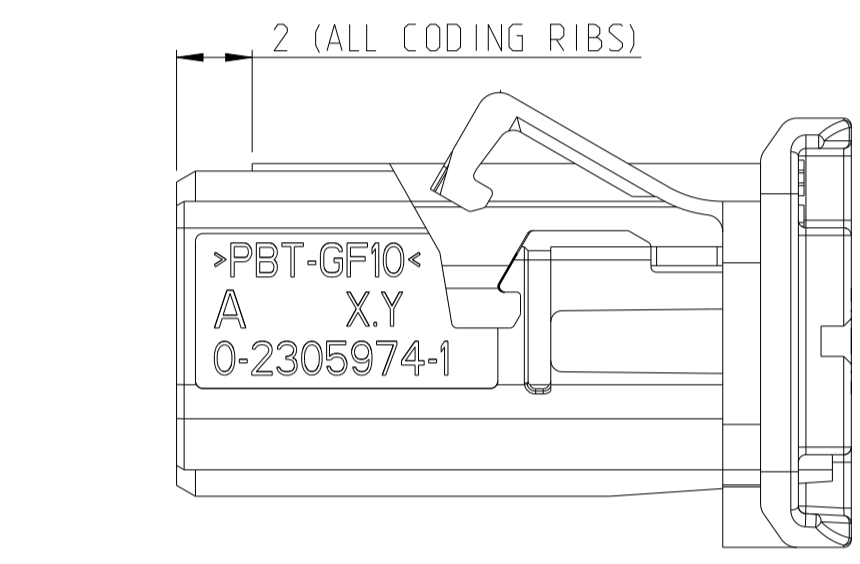
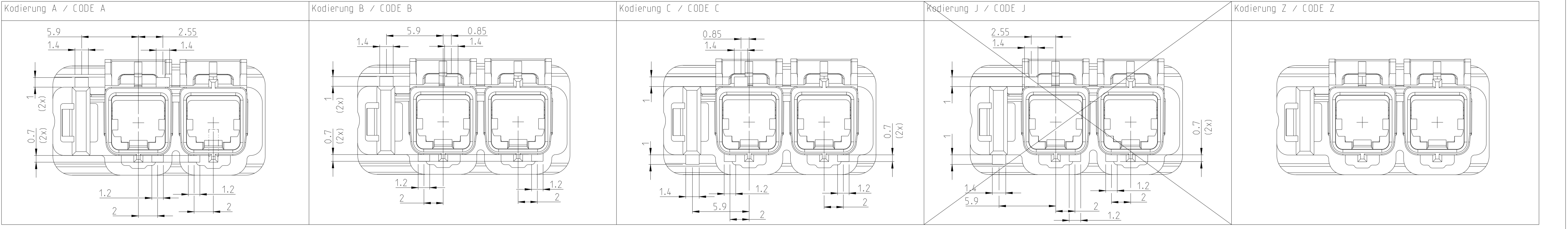
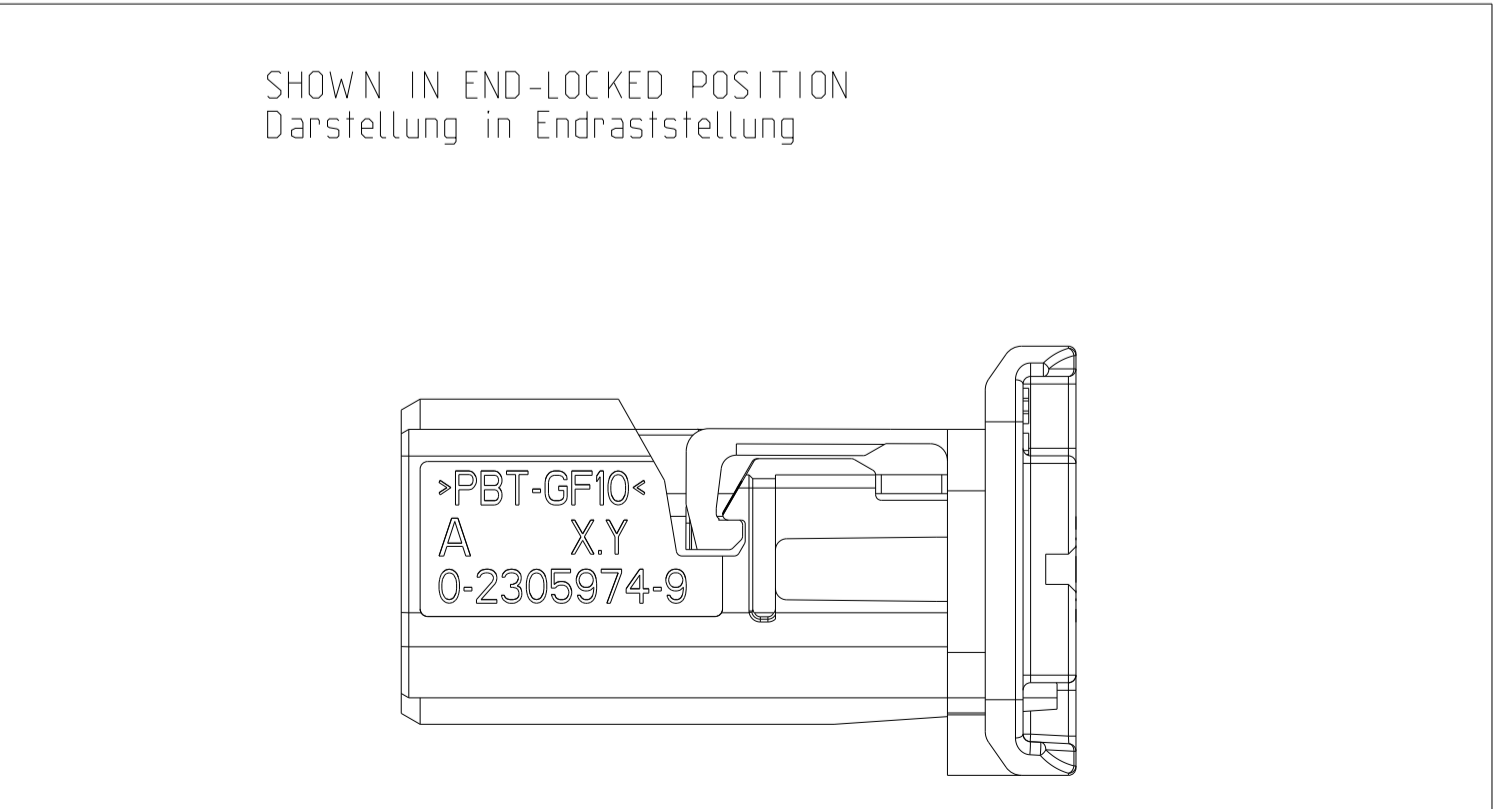


PROJEKT NR.:		REVISIONS ÄNDERUNGEN			
P	LTA	DESCRIPTION BESCHREIBUNG	DATE	DWN	APVD
A		NEW DRAWING	130C T2016	K I J	AK
A1		E-17-011935	17AUG2017	RW	AK
A2		E-19-014867	11NOV2019	FF	AK
A3		PCN-22-128957 (removed optional long latch)	17FEB2022	RW	AK



- Notizen / NOTES
- 0-2305974-1 Kodierung A wie dargestellt  
0-2305974-1 CODING A AS SHOWN
  - Passend zu Stiftwanne nach  
TE-Schnittstellenzeichnung 208-18012  
MATING TO PINHEADER ACC.  
TE-INTERFACE DRAWING 208-18012
  - Kammer fuer MATEnet 2Pos. NanoMQS female Insert module  
TE PN 0-2302450-X  
CAVITY FOR MATEnet 2Pos. NanoMQS FEMALE INSERT MODULE  
TE PN 0-2302450-X
  - Materialkennzeichnung  
MATERIAL MARKING
  - TE-Logo  
TE-LOGO
  - TE-Teile Nummer  
TE-Part Number
  - Revisionsstand  
PART REVISION
  - Kontaktkammernummer  
CONTACT CAVITY NUMBER
  - Produktionsdatum  
PRODUCTION DATE
  - Anlieferungszustand: 2. Kontaktsicherung geöffnet  
DELIVERY CONDITION: RETAINER IN OPEN POSITION
  - Verpackung: Schuetztgut im Beutel im Karton  
PACKAGING: LOOSE PIECES IN BAG IN BOX



CODE	PART No.	REV.	DESCRIPTION	MATERIAL	WEIGHT [g]	COLOUR similar RAL
Z	0-2305974-9	A	Dual-Port MATEnet Frame, Code Z	PBT-GF10 0% regrind	1.5	water-blue 5021
J	0-2305974-7	A	Dual-Port MATEnet Frame, Code J		1.5	beige 1001
C	0-2305974-3	A	Dual-Port MATEnet Frame, Code C		1.5	blue 5012
B	0-2305974-2	A	Dual-Port MATEnet Frame, Code B		1.5	white 9010
A	0-2305974-1	A	Dual-Port MATEnet Frame, Code A		1.5	black 9011

THIS DRAWING IS A CONTROLLED DOCUMENT.

DIMENSIONS: MASSENHEITEN: mm

TOLERANCES UNLESS OTHERWISE SPECIFIED: ALLGEMEINTOLERANZEN

0 PLC	±0.2
1 PLC	±0.1
2 PLC	±0.1
3 PLC	±0.1
4 PLC	±0.1
ANGLES/WINKEL	±0.1
FINISH/OBERFLÄCHE/FARBE	see table

MATERIAL: SEE TABLE

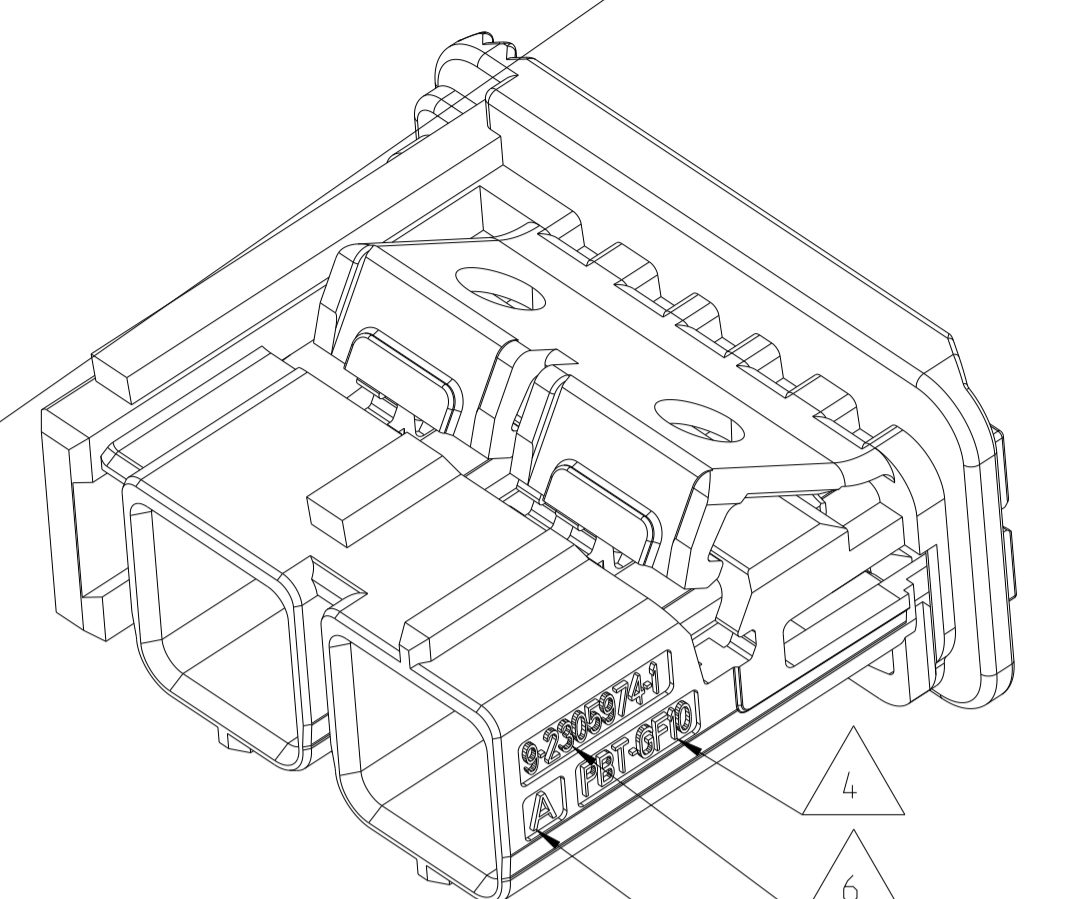
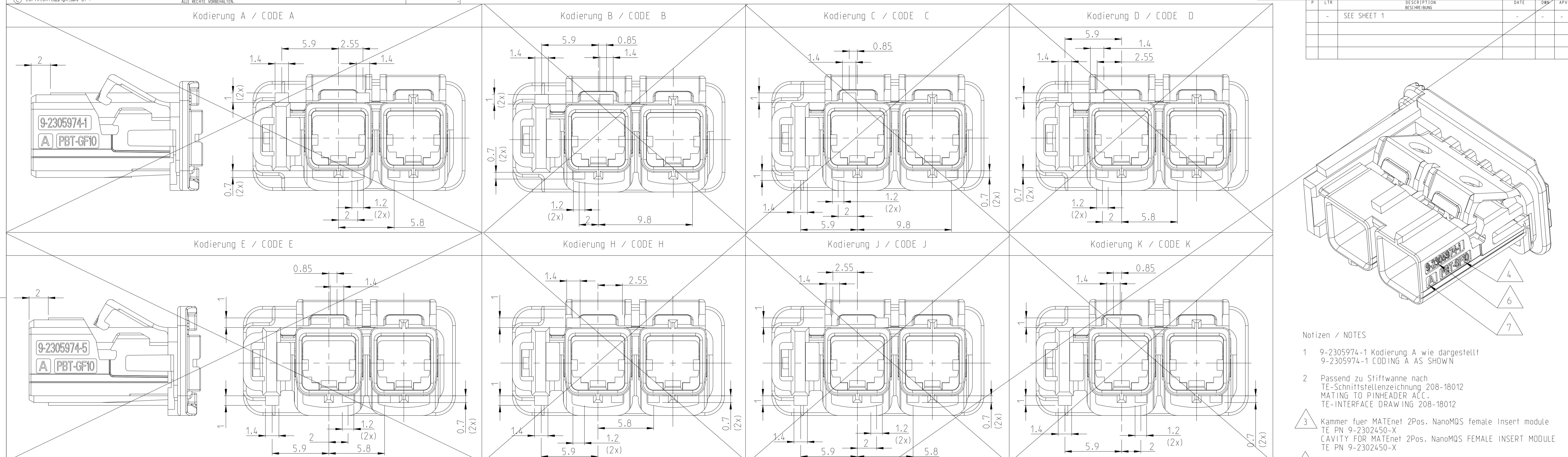
DATE: 23AUG2016  
 CHK: J. KLISSWITZER  
 R. WUERKER

NAME: Dual-Port MATEnet Frame  
 DUAL-PORT MATEnet FRAME

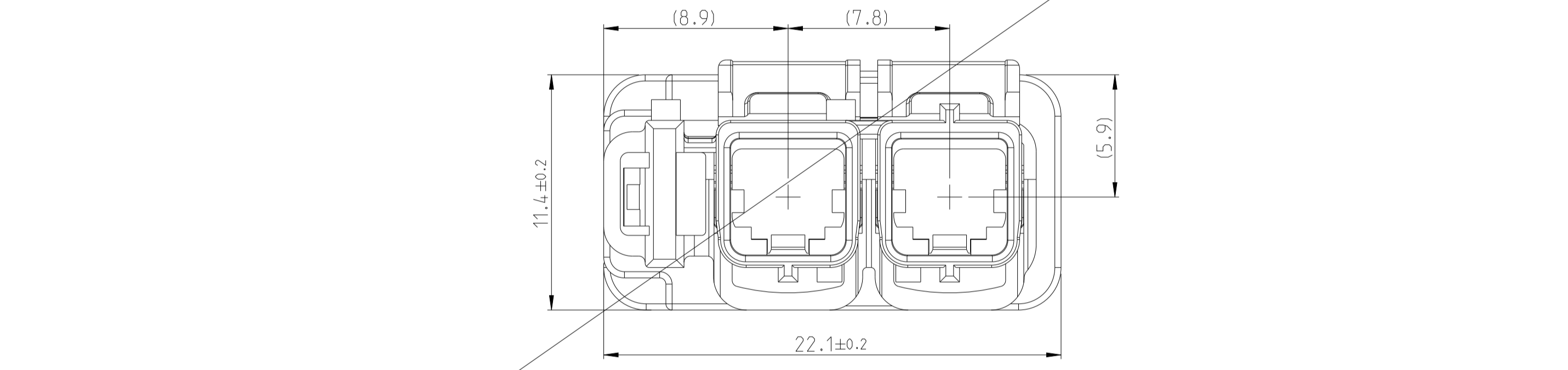
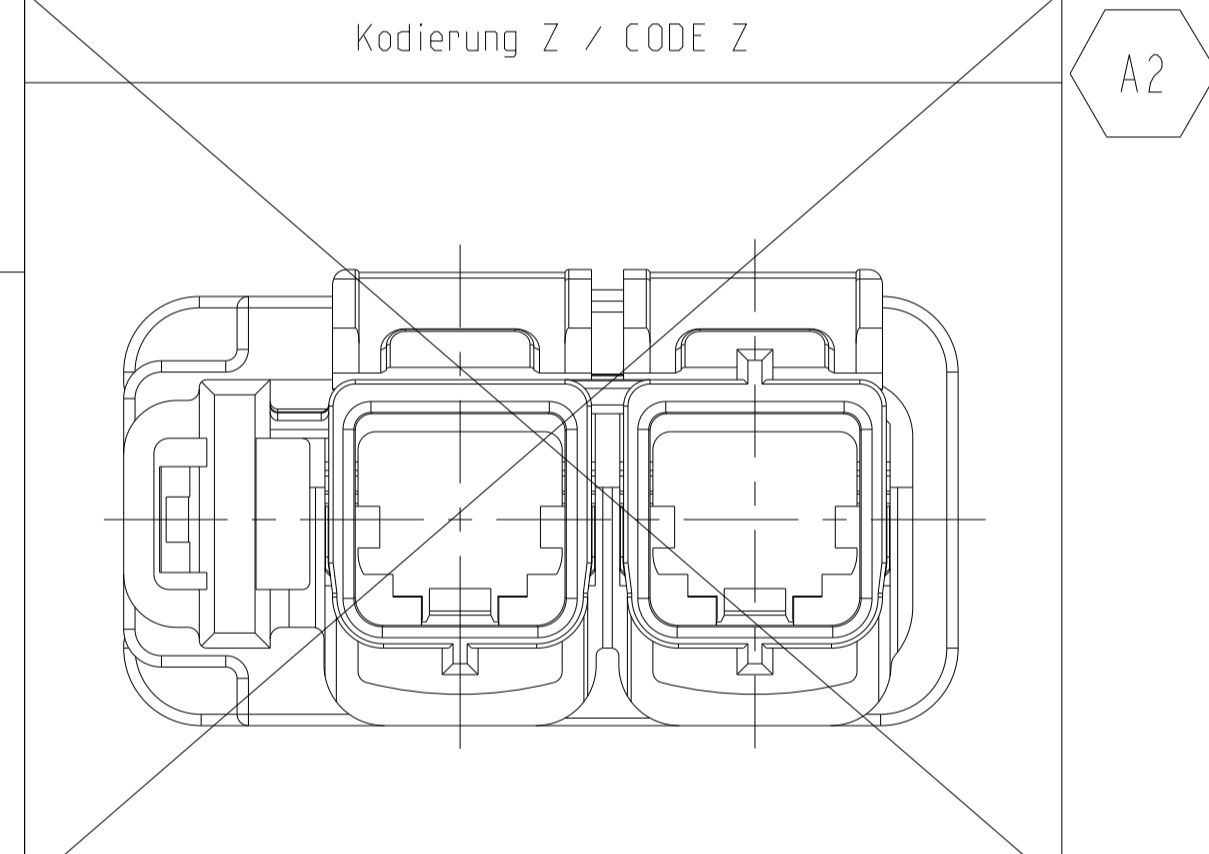
SIZE: A1  
 CAGE CODE: 00779  
 DRAWING NO: 0-2305974

RESTRICTED TO: NUR FÜR

CUSTOMER DRAWING / KUNDENZEICHNUNG  
 SCALE: MASSSTAB 5:1  
 SHEET: BLATT 1 OF 2  
 REV: A3



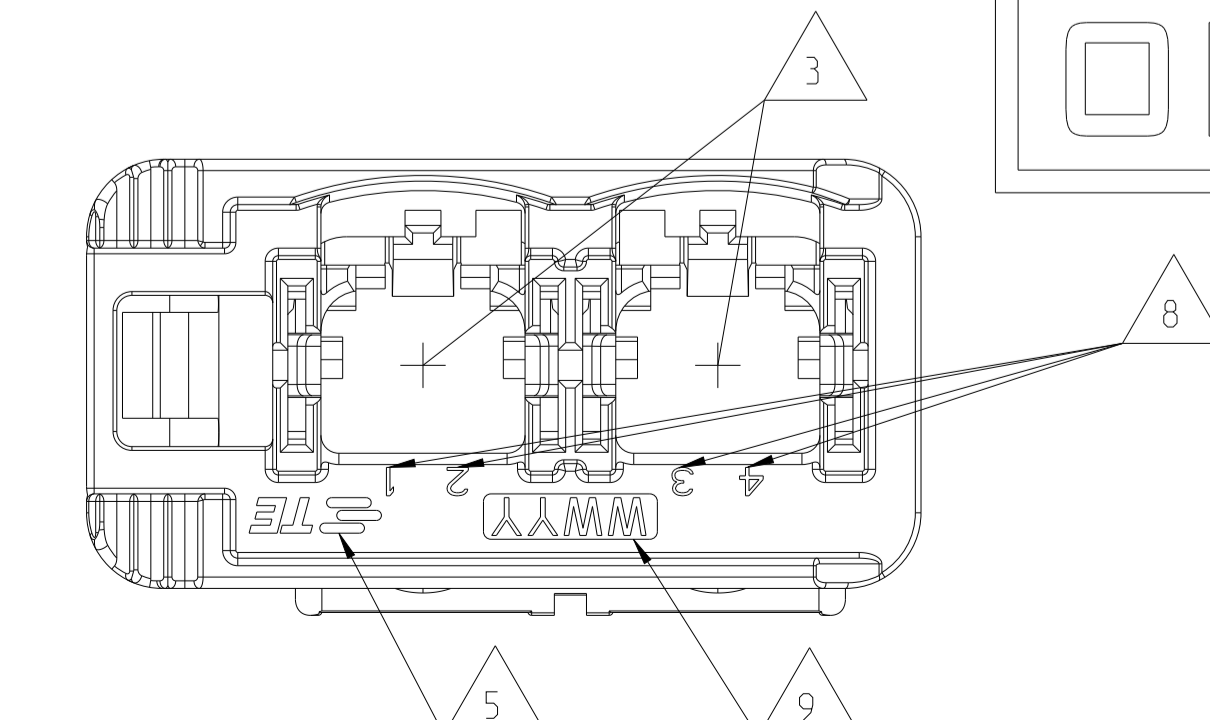
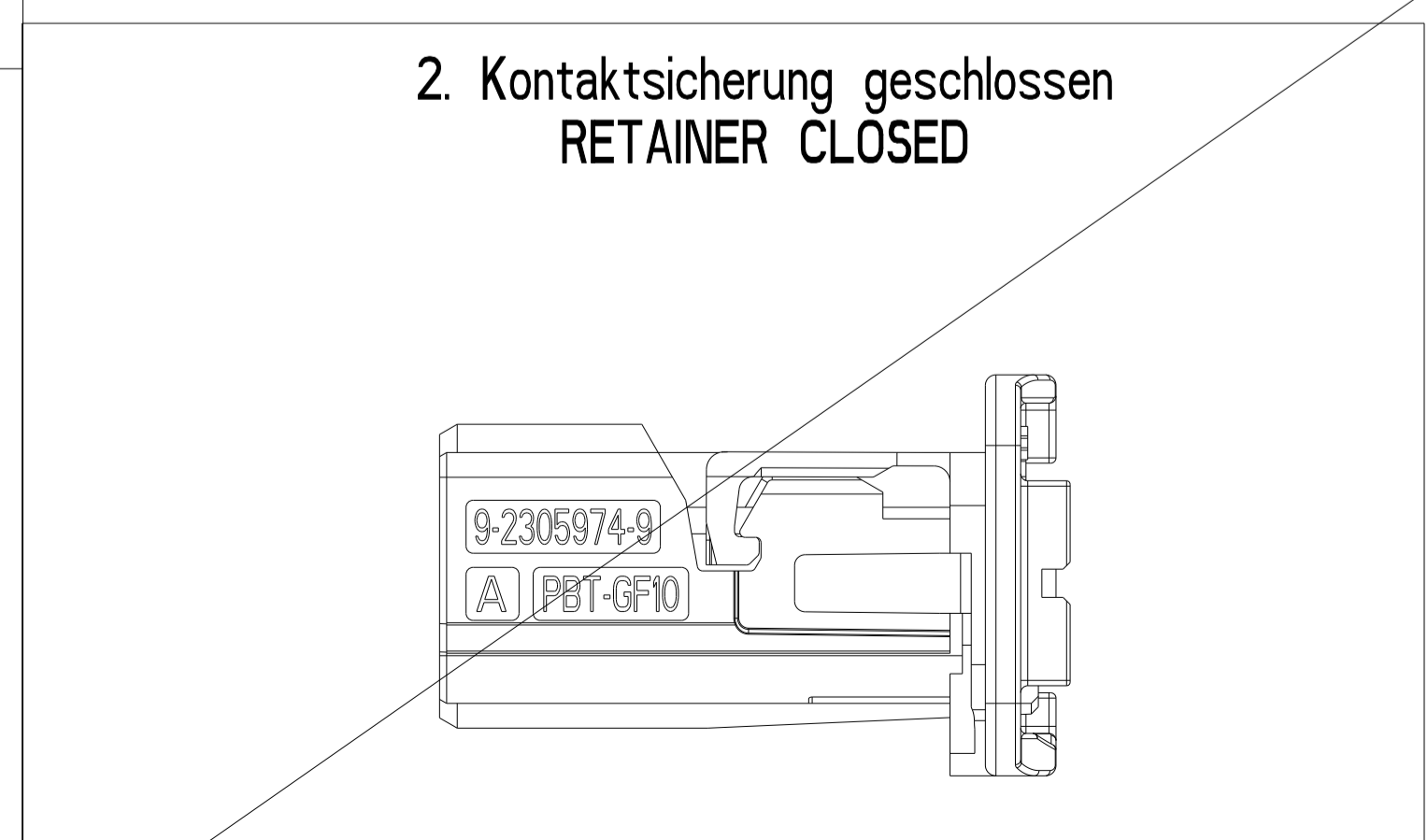
- Notizen / NOTES
- 9-2305974-1 Kodierung A wie dargestellt  
9-2305974-1 CODING A AS SHOWN
  - Passend zu Stiftwanne nach  
TE-Schnittstellenzeichnung 208-18012  
MATING TO PINHEADER ACC.  
TE-INTERFACE DRAWING 208-18012
  - Kammer fuer MATenet 2Pos. NanoMQS female Insert module  
TE PN 9-2302450-X  
CAVITY FOR MATenet 2Pos. NanoMQS FEMALE INSERT MODULE  
TE PN 9-2302450-X
  - Materialkennzeichnung  
MATERIAL MARKING
  - TE-Logo  
TE-LOGO
  - TE-Teile Nummer  
TE-Part Number
  - Revisionsstand  
PART REVISION
  - Kontaktkammernummer  
CONTACT CAVITY NUMBER
  - Produktionsdatum  
PRODUKTION DATE
  - Anlieferzustand: 2. Kontaktsicherung geöffnet  
DELIVERY CONDITION: RETAINER IN OPEN POSITION
  - Verpackung: Schuetztgut im Beutel im Karton  
PACKAGING: LOOSE PIECES IN BAG IN BOX



## B-MUSTER PROTOTYPE B-SAMPLE

CODE	PART No.	REV.	DESCRIPTION	MATERIAL	WEIGHT [g]	CLOUR similar RAL
Z	9-2305974-9	A	Dual-Port MATenet Frame, Code Z	PBT-GF10 0% Re grind	1.3	water-blue 5021
K	9-2305974-8	A	Dual-Port MATenet Frame, Code K		1.3	curry yellow 1027
J	9-2305974-7	A	Dual-Port MATenet Frame, Code J		1.3	beige 1001
H	9-2305974-6	A	Dual-Port MATenet Frame, Code H		1.3	heather violet 4003
E	9-2305974-5	A	Dual-Port MATenet Frame, Code E		1.3	green 6018
D	9-2305974-4	A	Dual-Port MATenet Frame, Code D		1.3	claret violet 4004
C	9-2305974-3	A	Dual-Port MATenet Frame, Code C		1.3	blue 5012
B	9-2305974-2	A	Dual-Port MATenet Frame, Code B		1.3	white 9010
A	9-2305974-1	A	Dual-Port MATenet Frame, Code A		1.3	black 9011

**OBSOLETE**



THIS DRAWING IS A CONTROLLED DOCUMENT. DIMENSIONING AND TOLERANCING PER GDS (ISO STANDARDS). TOLERANCES UNLESS OTHERWISE SPECIFIED: ALUMINIUM: 0 PLC ±0.1, 1 PLC ±0.1, 2 PLC ±0.1, 3 PLC ±0.1, 4 PLC ±, ANGLES/WINKEL: 45°, FINISH/BEREICH-FARBE: SEE TABLE.

DATE: 23 AUG 2016  
DRAWN: J. KIESSWETTER  
CHK: R. WUERKER  
APVD: A. KETTLER 14 OCT 2016

NAME: Dual-Port MATenet Frame  
PRODUCT SPEC: DUAL-PORT MATenet FRAME

APPLICATION SPEC: VERARBEITUNGSPEZ. 114-94.31  
WEIGHT: see table  
CUSTOMER DRAWING: /KUNDENZEICHNUNG

SCALE: MASSSTAB 1:1  
SHEET: 2 OF 2  
REV: A3

TE Connectivity