

**Ratings**

Voltage: 600 V  
 Temperature: -40~105 °C  
 Flammability: FT2

**Conductor**

Conductor count: 2  
 Gauge: 32 AWG 0.04 mm<sup>2</sup>  
 Material: tinned copper strands  
 Strand size:  $\varnothing 0.08 \times 7$   
 Resistance at 20 °C: 588  $\Omega$  /km max

**Insulator**

Material: mPPE  
 Color: red, black  
 Diameter:  $\varnothing 0.75 \pm 0.08$   
 Average thickness: 0.24 mm  
 Minimum thickness: 0.19 mm  
 Resistance at 20 °C: 100 M $\Omega$  /km min

**Shield**

Type: foil  
 Material: aluminum mylar  
 Coverage: 100%

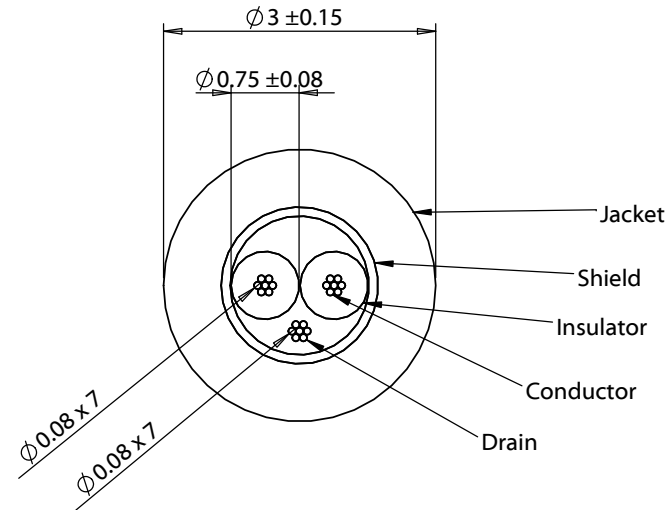
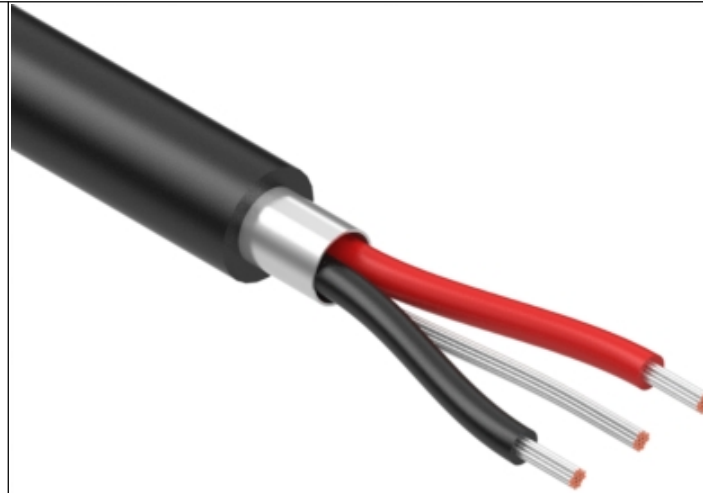
**Outer jacket**

Material: mPPE, 85A  
 Color: black  
 Diameter:  $\varnothing 3 \pm 0.15$   
 Average thickness: 0.7 mm  
 Minimum thickness: 0.49 mm

**Wire marking:** E339579 UL AWM STYLE 21509 32 AWG 105°C  
 600V --- cUL AWM I A 105°C 600V FT2 TENSILITY

**Bend radius**

Minimum: 6 times diameter (18 mm)



Revision:	Date:	Description:	Prepared:	Notes:	<b>TENSILITY</b> tel 1.541.323.3228 800 877.670.7118 fax 1.541.323.4202 web tensility.com
A	4/20/2020	Initial release	Verified:	RoHS compliant Phthalate and halogen free	
			Dimensions are in millimeters. Tolerances: X: $\pm 0.5$ mm X.X: $\pm 0.3$ mm X.XX: $\pm 0.05$ mm	Description:	Size: Part number:
				Wire, 2C TS, 32 AWG, 21509, 600V, 105C, 3 mm, shielded, FT2, mPPE	A 30-01416
				Scale: 12:1	Sheet 1 of 1

5

4

3

2

1