

### 1 Products affected

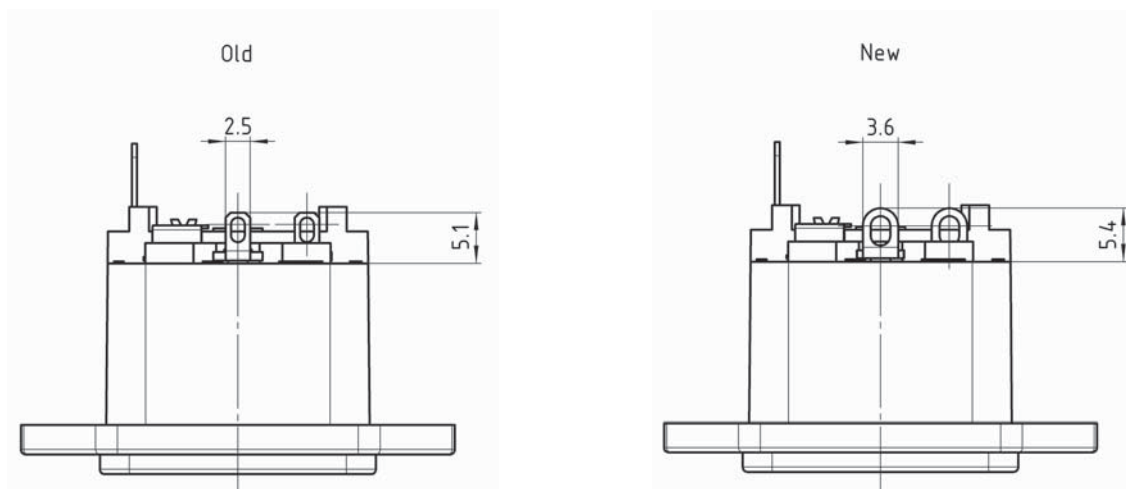
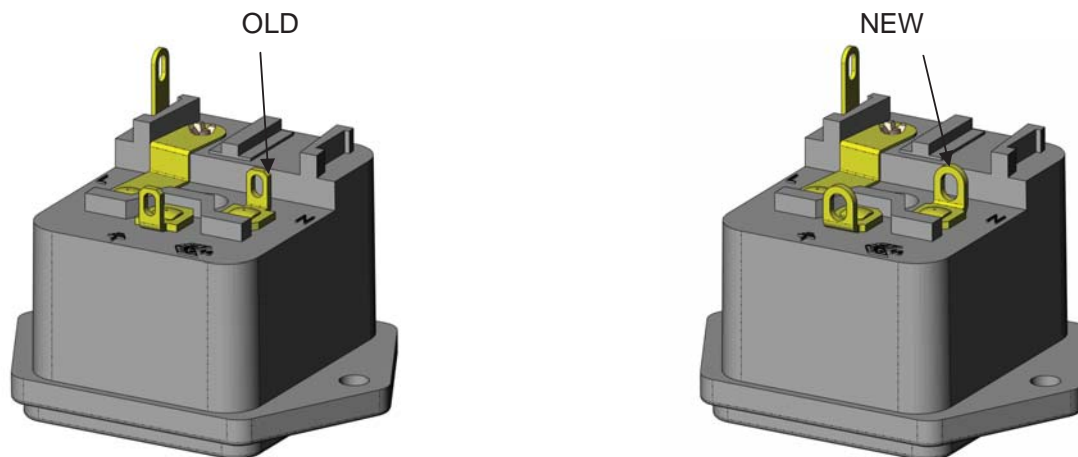
Product hierarchy no. *				Part no.	SBU	Type / Description	Customer part no.
SBU	PG	PGU	Type				
02	005	016	0000001202	4304.6010	Connectors	1062 Power Entry Module	
02	005	016	0000001202	4304.6011	Connectors	1062 Power Entry Module	
02	005	016	0000001202	4304.6015	Connectors	1062 Power Entry Module	
02	005	016	0000001202	4304.6016	Connectors	1062 Power Entry Module	
02	005	016	0000001202	4304.6017	Connectors	1062 Power Entry Module	
02	005	016	0000001202	4304.6114	Connectors	1062 Power Entry Module	
02	005	016	0000001202	4304.6125	Connectors	1062 Power Entry Module	
02	005	016	0000001202	4304.6154	Connectors	1062 Power Entry Module	
02	005	016	0000001202	4304.6222	Connectors	1062 Power Entry Module	

\*SBU (2-digit) / PG (3-digit) / PGU (3-digit) / Type (10-digit)

### 2 Type of change

Solder terminal short 5.1x2.5 (0701.0414) change to solder terminal short 5.4x3.6 (0701.0112)

### 3 Detailed description of change



1062 Appliance Inlet					0118.2071	
Creation date:	Created by:	Release date:	Released by:	Notification No.	Index	Page
04.08.2011 10:43:09	hoa	15.05.2012	hoa	22453	a	1 von 2

#### 4 Reason of change

Use of standard solder terminals

#### 5 Released date

Release for series production

35 /2011

#### 6 Impact of change and recommended action

Form: Yes, new solder terminals  
Fit: N/A  
Function: N/A  
Production Site: N/A  
Product label: N/A

#### 7 Reference Documents / Attachments

Kind of document	Document number	Remarks
Technical drawing	0100.3093	1062 Power Entry Module
Technical drawing	0100.3094	1062 Power Entry Module
Technical drawing	0100.3146	1062 Power Entry Module
Technical drawing	0100.3147	1062 Power Entry Module

1062 Appliance Inlet					0118.2071	
Creation date:	Created by:	Release date:	Released by:	Notification No.	Index	Page
04.08.2011 10:43:09	hoa	15.05.2012	hoa	22453	a	2 von 2