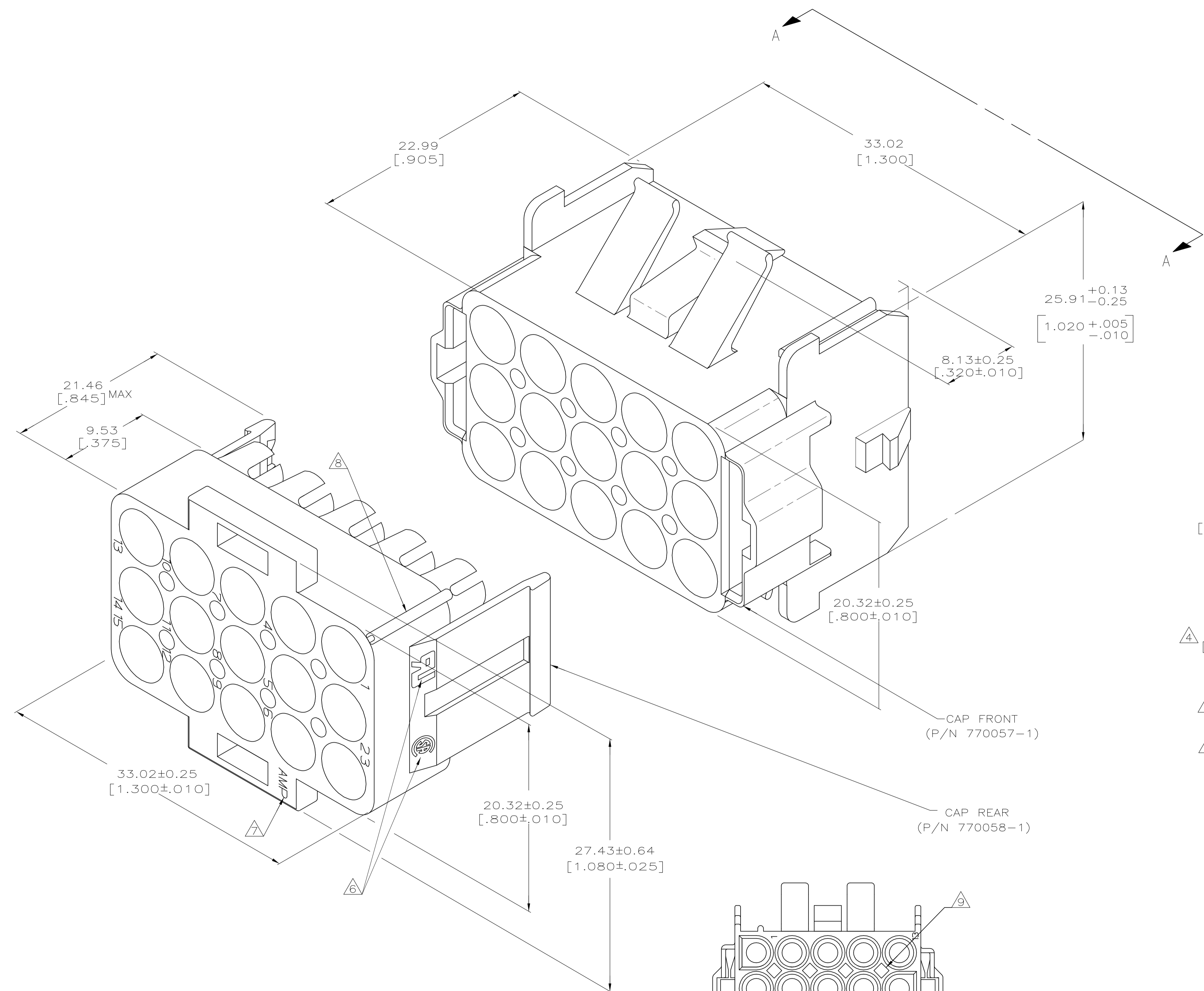
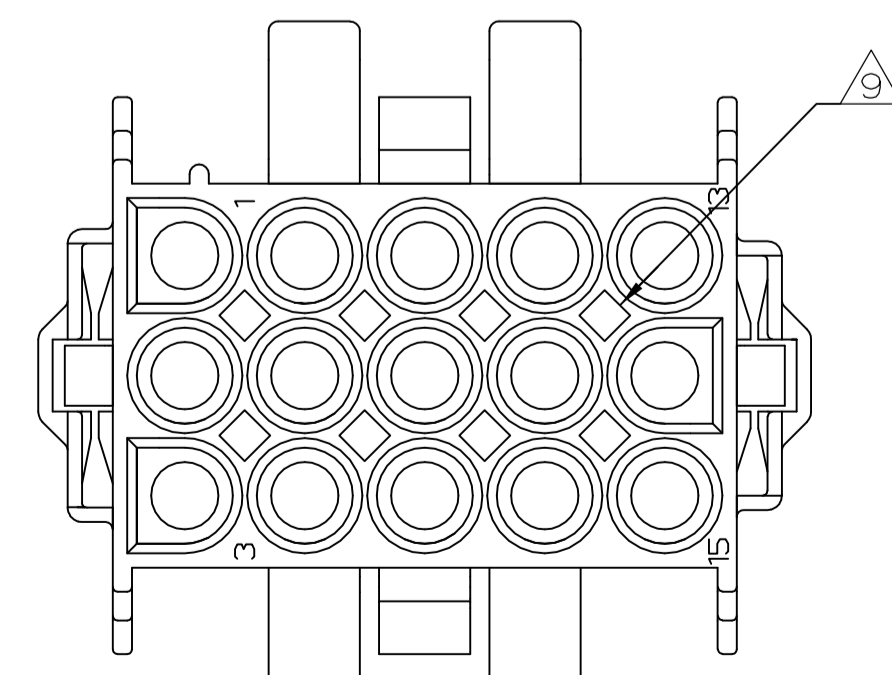
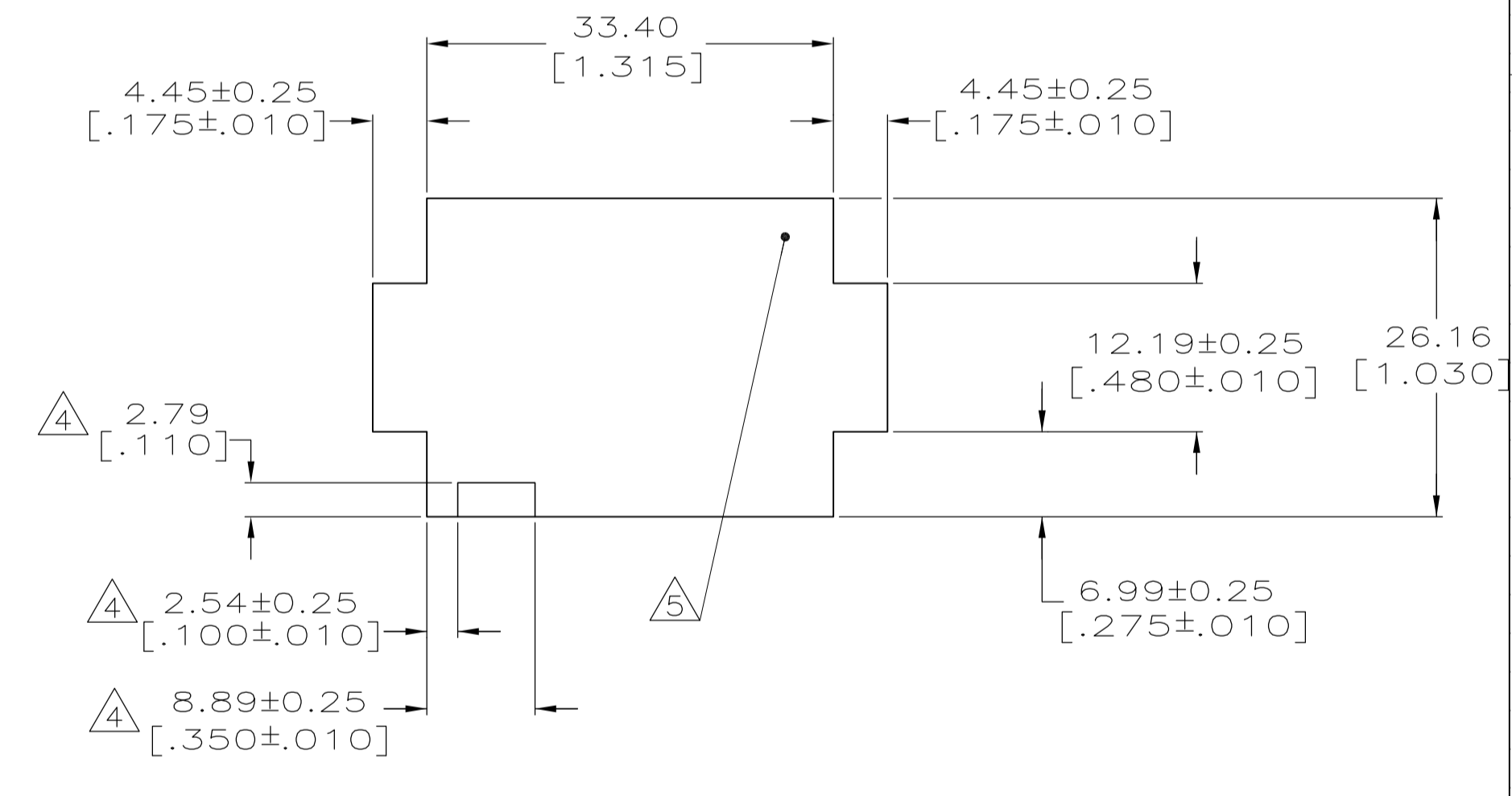


REVISIONS				
P	LTR	DESCRIPTION	DATE	OWN / APVD
G1		REVISED PER ECO-17-009556	03JUL2017	RS / SW



1. BULK PACKAGED, UNASSEMBLED.
2. RECOMMENDED PANEL THICKNESS 0.76–2.29 [.030–.090].
3. PANEL MUST BE PUNCHED SO THAT THE HOUSING ENTERS THE PANEL IN THE SAME DIRECTION AS THE PUNCH.
4. OPTIONAL FOR KEYING HOUSING IN PANEL.
5. CIRCUIT NO. 1 LOCATON.
6. APPROVAL AGENCY LOGO LOCATED APPROXIMATELY AS SHOWN.
7. AMP LOGO LOCATED THIS SURFACE.
8. CIRCUIT NUMBER ONE IDENTIFICATION RIB AND CIRCUIT IDENTIFICATION NUMBERS ARE EACH LOCATED ADJACENT TO THE APPROPRIATE CIRCUIT CAVITIES.
9. OPTIONAL CONSTRUCTION PROVIDES ROUND MATERIAL REDUCTION CORING HOLES.
10. DIMENSIONS SHOWN REPRESENT PRODUCT IN DRY, AS MOLDED CONDITION. ADDITIONAL 2% GROWTH DUE TO SUBSEQUENT MOISTURE ABSORPTION MAY OCCUR AND SHOULD BE ACCOUNTED FOR
11. DIMENSIONS IN BRACKETS ARE IN INCHES.



**METRIC**

770030-1  
PART NUMBER

THIS DRAWING IS A CONTROLLED DOCUMENT.		DWN: K. SALMON 1-22-92 CHK: R. SWING 1-22-92 APVD: - NAME: -	<b>TE</b> TE Connectivity
DIMENSIONS: INCHES 0 PLC ± - 1 PLC ± - 2 PLC ± - 3 PLC ± 0.13 [.005] 4 PLC ± - ANGLES ± -	TOLERANCES UNLESS OTHERWISE SPECIFIED: 0 PLC ± - 1 PLC ± - 2 PLC ± - 3 PLC ± 0.13 [.005] 4 PLC ± - ANGLES ± -	PRODUCT SPEC: - APPLICATION SPEC: - WEIGHT: 0.000000 MATERIAL: NYLON, UL94V-0, FINISH: -	CAP HOUSING KIT, 15 CIRCUIT, UNIVERSAL MATE-N-LOK SIZE: A1 CAGE CODE: 00779 DRAWING NO: 770030 CUSTOMER DRAWING
		SCALE: 5:1 SHEET: 1 OF 1 REV: G1	