

H G F E D C B A

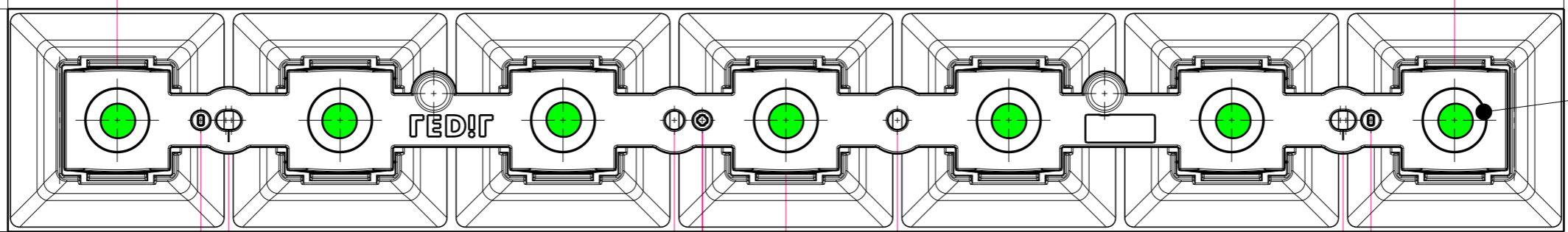
279.25

6x40=240

40

4

4



90 85

5

15

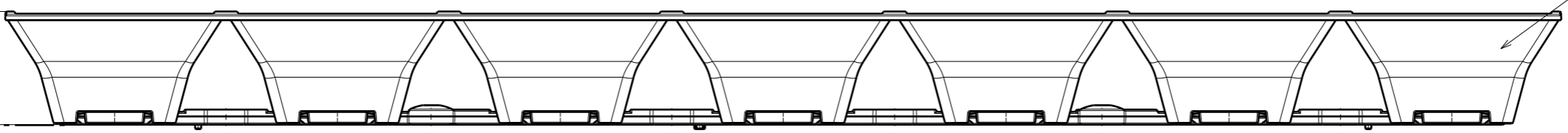
35

115 120

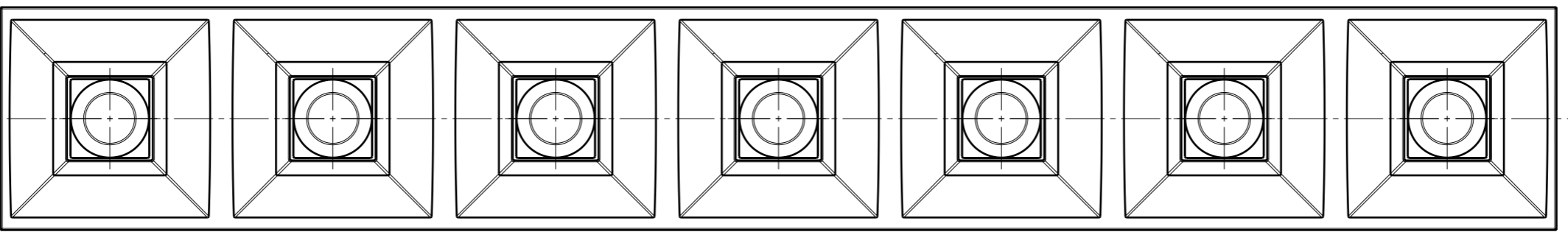
20.25

3

3



2



2

2

CN17373\_DAISSY-7X1-W2-MATT-D

**COMPONENTS**

INDEX	PART	TYPE	MATERIAL	COLOR / COATING
1	C17363_DAISSY-7X1-W2-D	LENS	PMMA	Milky
2	C17051_DAISSY-7X1-SHD-MATT	SHADE	PC	Black

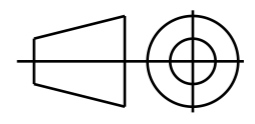
**MECHANICAL DRAWING**

PRODUCT **DAISSY**

**LEDiL**®

Plastic moulding general tolerances according to DIN 16901-130 and applies if not otherwise shown in the drawing. Silicone moulding general tolerances according to ISO 3302-1 Class M3 and applies if not otherwise shown in the drawing.

FIRST ANGLE PROJECTION:



This drawing is the property of LEDiL Oy. It may not be copied or otherwise distributed without prior written permission from LEDiL Oy.

SCALE 1:1

WEIGHT 48,1 g

A3 SHEET 1/1

**Notes**

- PCB or heatsink level.
- LED location
- Ensure LED fitting from a product specific 3D model available from [www.ledil.com](http://www.ledil.com)
- For more details about installation please see LEDiL Installation Guide on [www.ledil.com](http://www.ledil.com)

H G B A

1

1