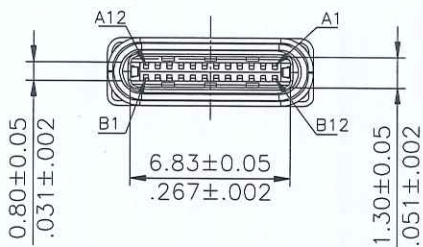
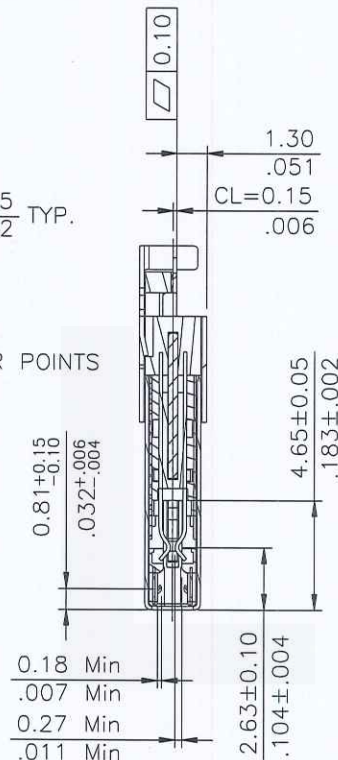
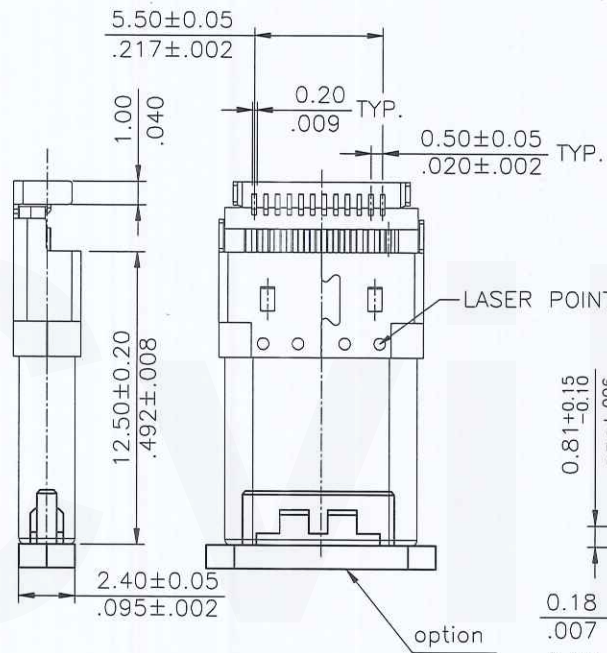
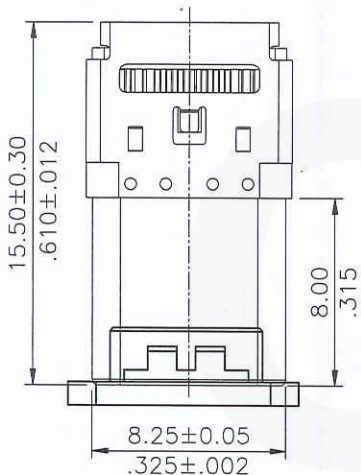
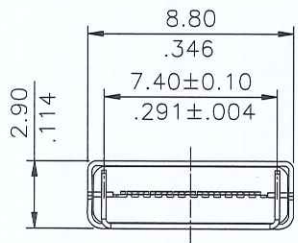


MATERIAL:

- 1.HOUSING: LCP, GLASS FIBER FILLED, BK
- 2.CONTACT: COPPER ALLOY
- 3.GUARD PLATE: STAINLESS STEEL
- 4.SHELL: STAINLESS STEEL

FINISH:

- CONTACT: SEE ORDER INFORMATION
- SHELL: NICKEL PLATING



Ordering Code:

CU30 24 P * A H L R 00* -NH
 ① ② ③ ④ ⑤ ⑥ ⑦ ⑧ ⑨ ⑩

- ① Series No.
- ② No. of Circuits
- ③ P=Plug
- ④ Plating option:
 A= Gold Flash plated on Contact area, Matte Tin plated on Solderails, Nickel underplating over all.
 B= 15u" gold plated on Contact area, Matte Tin plated on Solderails, Nickel underplating over all.
 C= 30u" gold plated on Contact area, Matte Tin plated on Solderails, Nickel underplating over all.
- ⑤ Shell Material & Plating:
 A= Stainless Steel Nickel Plating
- ⑥ Contact Material: H= Copper Alloy
- ⑦ Insulator Material & Color option:
 L= LCP, Black
- ⑧ Packing R= Tape & Reel
- ⑨ 001= Without Cover
 002= With Cover
- ⑩ -NH= For Lead Free wave or IR Reflow Processes & Halogen Free Process



Lead Free Process

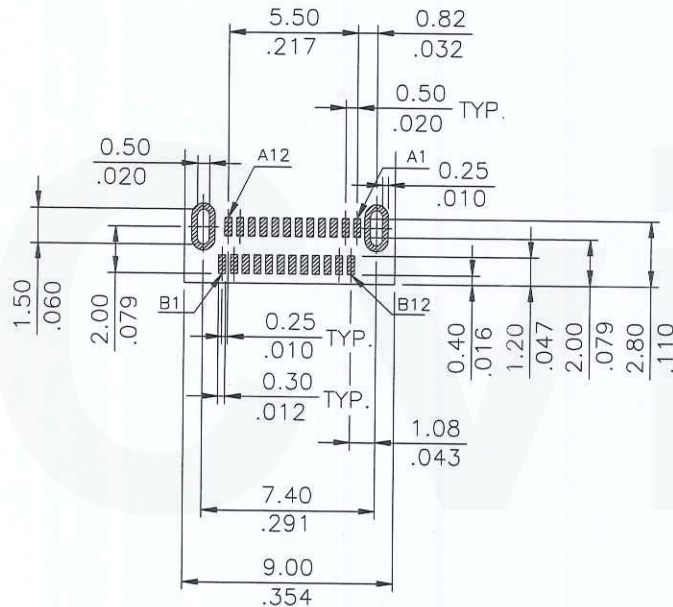
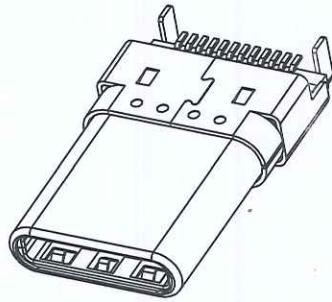
Halogen-Free

④				DATE	UNIT: mm / inch	TITLE:
③				DRAWN BY: mark 2019/9/29	TOLERANCE	CU30 Type C PLUG 24Pin CL=0.15
②				ENGINEER: Kevin 2019/9/29	UNLESS OTHERWISE SPECIFIED	SMT Type MIDDLE MOUNT RIGHT ANGLE
①				CHECKED BY: Kevin 2019.9.29	.X ± 0.25/.010 X' ± 4'	MATERIAL:
SYM	NAME	DATE	REVISIONS	APPROVED BY: Kevin 2019.9.29	.XX ± 0.20/.008 X' ± 2'	FINISH:
					.XXX ± 0.10/.004 .XX' ±	



瀚荃股份有限公司
Cvilux Corporation

DRAWING NO.	CU30P01SA	PART NO.	CU3024P*AHLR00*-NH
SCALE	3 / 1	SHEET	1 OF 3



RECOMMENDED P.C.B. LAYOUT (T:1.00mm or 0.80mm)
TOLERANCE ±0.05mm

USB TYPE-C FULL-FEATURED RECEPTACLE INTERFACE PIN ASSIGNMENTS

PIN	Signal Name	Description	PIN	Signal Name	Description
A1	GND	Ground return	B12	GND	Ground return
A2	SSTXp1	Positive half of first SuperSpeed TX differential pair	B11	SSRXp1	Positive half of first SuperSpeed RX differential pair
A3	SSTXn1	Negative half of first SuperSpeed TX differential pair	B10	SSRXn1	Negative half of first SuperSpeed RX differential pair
A4	Vbus	Bus Power	B9	VBUS	Bus Power
A5	CC1	Configuration Channel	B8	SBU2	Sideband Use(SBU)
A6	Dp1	Positive half of the USB 2.0 differential pair-Position 1	B7	Dn2	Negative half of the USB 2.0 differential pair-Position 2
A7	Dn1	Negative half of the USB 2.0 differential pair-Position 1	B6	Dp2	Positive half of the USB 2.0 differential pair-Position 2
A8	SBU1	Sideband Use(SBU)	B5	CC2	Configuration Channel
A9	VBUS	Bus Power	B4	VBUS	Bus Power
A10	SSRXn2	Negative half of second SuperSpeed RX differential pair	B3	SSTXn2	Negative half of second SuperSpeed TX differential pair
A11	SSRXp2	Positive half of second SuperSpeed RX differential pair	B2	SSTXp2	Positive half of second SuperSpeed TX differential pair
A12	GND	Ground return	B1	GND	Ground return



Lead Free Process

Halogen-Free

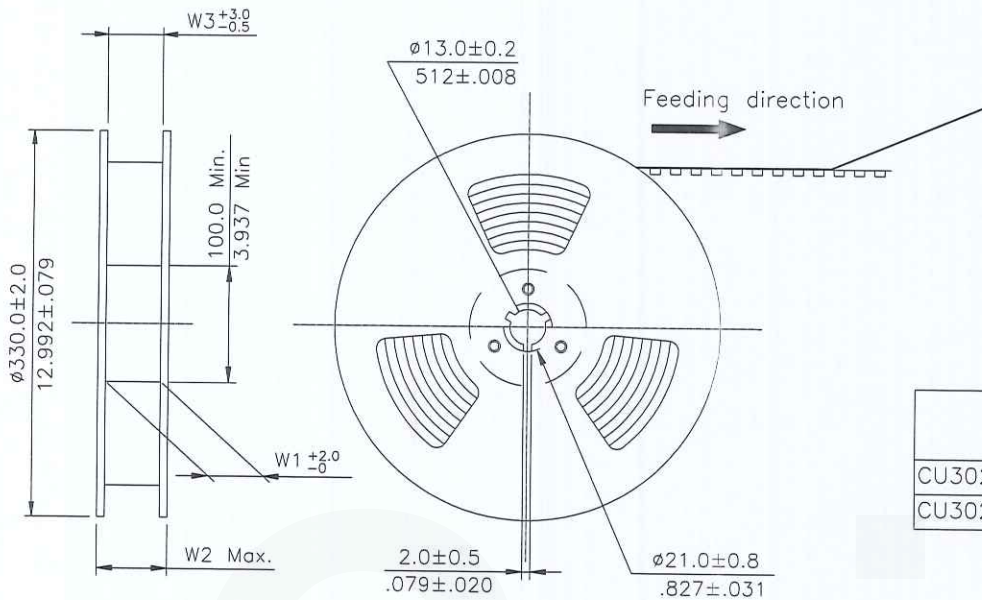


4				DATE	UNIT: mm / inch	TITLE:
3				DRAWN BY: mark	2019/9/29	CU30 Type C PLUG 24Pin CL=0.15 SMT Type MIDDLE MOUNT RIGHT ANGLE
2				ENGINEER: Kevin	2019/9/29	MATERIAL:
1				CHECKED BY: Kevin	2019.9.29	FINISH:
SYM	NAME	DATE	REVISIONS	APPROVED BY:		



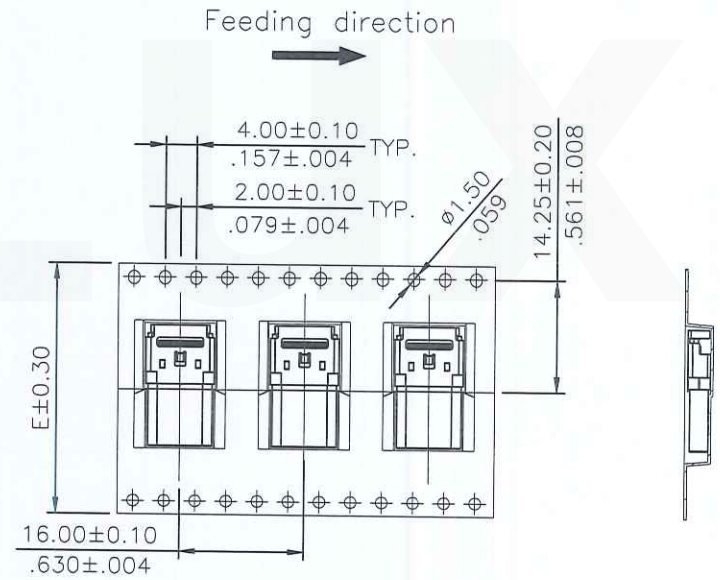
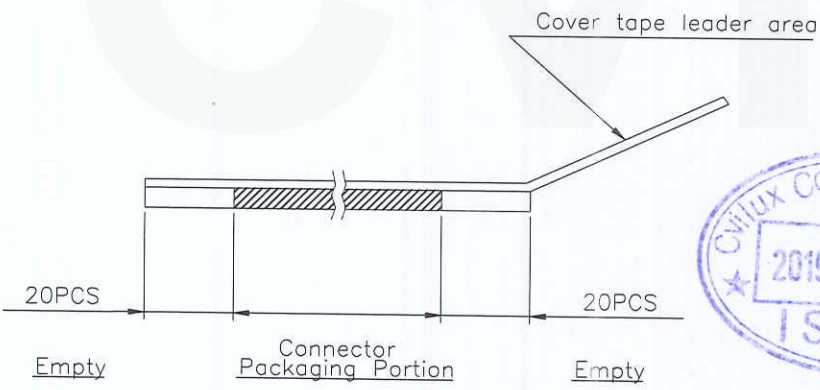
瀚荃股份有限公司
Cvilux Corporation

DRAWING NO.	CU30P01SA	PART NO.	CU3024P*AHLR00*-NH
SCALE	3 / 1	SHEET	2 OF 3



- NOTE :
- * Reel Material : HIPS
 - * Carrier Material : Clear, Conductive Polystyrene Alloy
 - * Cover Tape Material : Polyester
 - * Cover Tape Peel Strength : 0.1N – 1.3N
 - * Carrier camber is within 1mm in 250mm
 - * All dimensions meet EIA-481-B requirements.
 - * Quantity : 1000 PCS/Reel

PART NO.	Dimension				Packing (Reel/Cartron)
	E	W1	W2	W3	
CU3024P*AHLR001-LF	24.0(.945)	24.5(.965)	30.5(1.201)	24.5(.965)	10
CU3024P*AHLR002-LF	32.0(1.260)	32.5(1.279)	36.5(1.437)	32.5(1.279)	8



WIDTH : 32 mm Carrier

Lead Free Process Halogen-Free

4				DATE	UNIT: mm / inch	TITLE:
3				DRAWN BY: mark 2019/9/29	TOLERANCE	CU30 Type C PLUG 24Pin CL=0.15
2				ENGINEER: Kevin 2019/9/29	UNLESS OTHERWISE SPECIFIED	SMT Type MIDDLE MOUNT RIGHT ANGLE
1				CHECKED BY: keng 2019.9.29	.X ±	MATERIAL:
SYM	NAME	DATE	REVISIONS	APPROVED BY:	.X' ± 1'	FINISH:
					.XX ±	
					.XXX ±	



DRAWING NO.	CU30P01SA	PART NO.	CU3024P*AHLR00*-NH
SCALE		SHEET	3 OF 3