

Type FMS-R-E

Fast Acting Micro Fuse

Radial Leaded – Short Leaded



www.optifuse.com (619) 593-5050

Agency Standards and Listings:



VDE 315mA~6.3A
 PSE 1A~6.3A
 SEMKO 315mA~6.3A
 CQC 315mA~6.3A

Approvals all at 250 VAC only

Interrupt Ratings:

VDE, SEMKO, CQC -
 35A or 10In whichever is greater at 250 VAC
 PSE - 100A 250 VAC
 50A @ 125 VDC

Operating Temperature: -55°C ~ +125°C

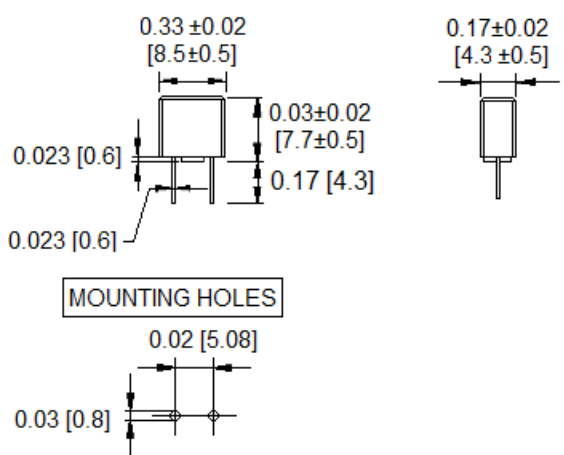
Physical Specifications (Materials):

Thermoplastic Body, UL 94-V0
 Tin-Lead Plated Alloy Pins

Electrical Characteristics:

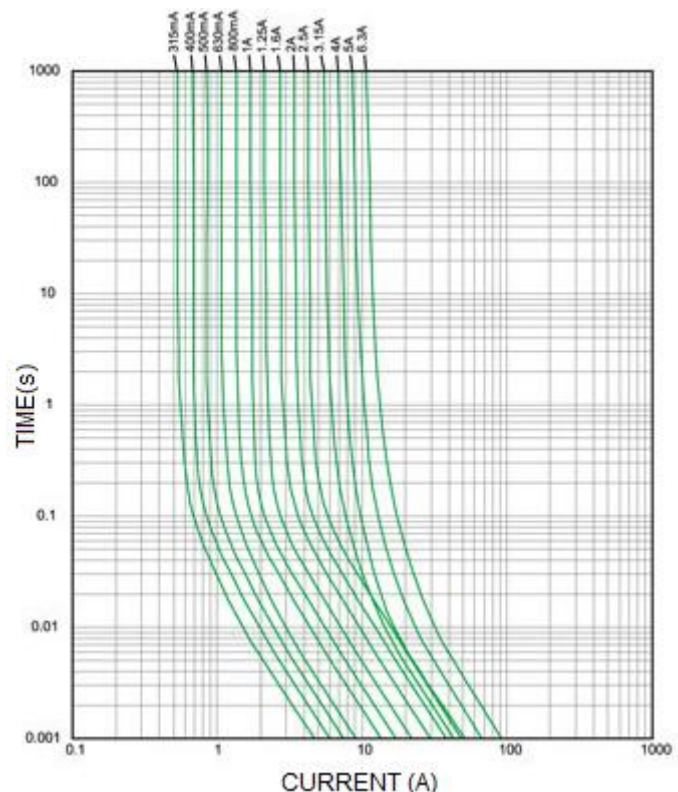
210%	275%		400%		1000%
MAX	MIN	MAX	MIN	MAX	MAX
30 m	10 ms	3 s	3 ms	300 ms	20 ms

Mechanical Dimensions: Inches [mm]



Part Number	Ampere Rating	Voltage Rating	I ² T
FMS-R-E-315mA	315mA	250V	0.02301
FMS-R-E-400mA	400mA		0.03848
FMS-R-E-500mA	500mA		0.06059
FMS-R-E-630mA	630mA		0.08831
FMS-R-E-800mA	800mA		0.1947
FMS-R-E-1A	1A		0.3133
FMS-R-E-1.25A	1.25A		0.5169
FMS-R-E-1.6A	1.6A		0.9379
FMS-R-E-2A	2A		1.542
FMS-R-E-2.5A	2.5A		2.555
FMS-R-E-3.15A	3.15A		2.085
FMS-R-E-4A	4A		2.816
FMS-R-E-5A	5A		5.473
FMS-R-E-6.3A	6.3A		10.31

TIME CURRENT CURVE



	Warning: -Operation beyond the specified maximum ratings or improper use may result in damage and possible electrical arcing and/or flame.
	-Micro Fuse device are intended for occasional overcurrent protection. Application for repeated overcurrent condition and/or prolonged trip are not anticipated.
	-Avoid contact of Micro Fuse device with chemical solvent. Prolonged contact will damage the device performance.