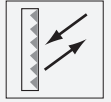


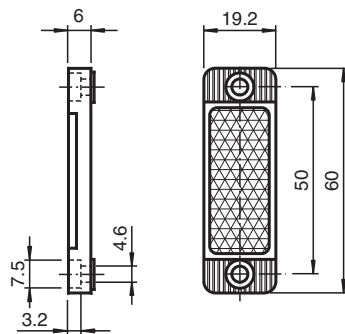
# Reflector REF-VR10



- Mounting holes for simple installation

Reflector, rectangular 60 mm x 19 mm, mounting holes

## Dimensions



## Technical Data

### General specifications

Construction type rectangular

### Ambient conditions

Ambient temperature -20 ... 85 °C (-4 ... 185 °F)

### Mechanical specifications

Material PMMA/ABS

Dimensions 60 mm x 19 mm x 6 mm

Mounting mounting holes