

6

5

4

3

2

1

D

D

C

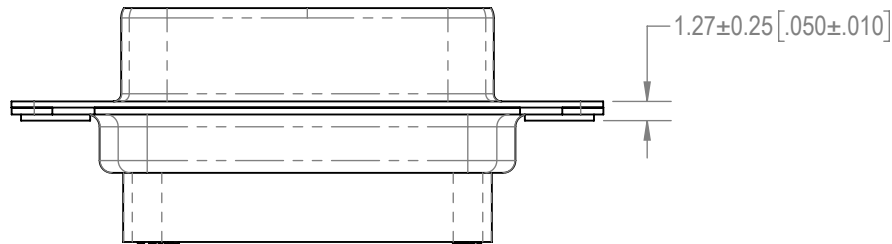
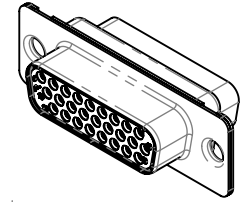
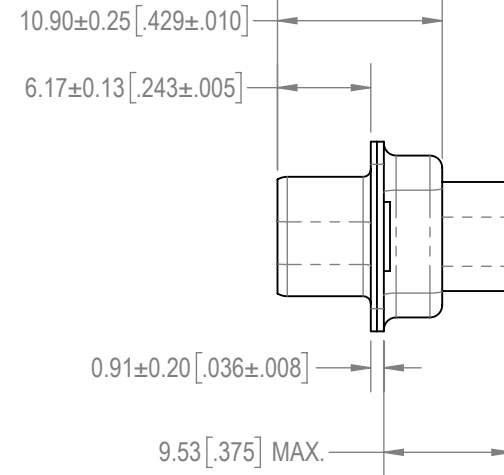
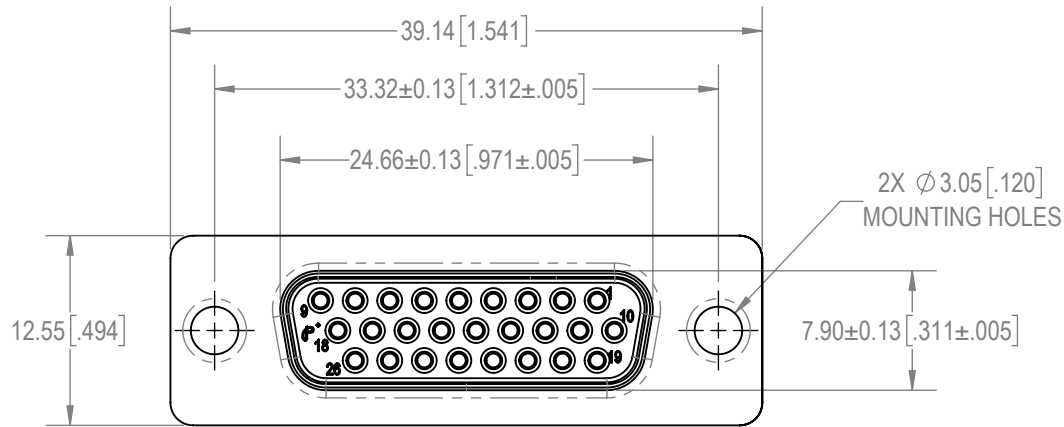
C

B

B

A

A

**NOTES:**

- MATERIAL AND FINISHES:  
INSULATOR: GLASS-FILLED POLYESTER PER ASTM-D-5927, UL 94V-0, ASTM E-595, NASA-RP-1124, COLOR: BLUE.  
SHELLS: BRASS, 1.27 $\mu$  [.000050] GOLD OVER COPPER PLATE.
- DETAILED PRODUCT, MECHANICAL AND ELECTRICAL INFORMATION IS AVAILABLE IN THE LATEST HIGH PERFORMANCE HIGH DENSITY D-SUB PRODUCT PUBLICATION AT [CONNECTPOSITRONIC.COM](http://CONNECTPOSITRONIC.COM)

BY KKP	CHK AP	3RD ANGLE 	POSITRONIC BELIEVES THE DATA ON THE DRAWING TO BE RELIABLE. THE USER EMPLOYS SUCH INFORMATION AT HIS OWN DISCRETION AND RISK. POSITRONIC ASSUMES NO RESPONSIBILITY FOR RESULTS OBTAINED OR DAMAGES INCURRED FROM USE OF SUCH INFORMATION IN WHOLE OR IN PART.	 Positronic® CONNECTPOSITRONIC.COM
APR AB	RELEASED DATE: 2022-12-29	SCALE NTS		
TOLERANCES ±0.03mm [.001 INCHES] FOR MALE CONTACT MATING DIAMETERS ±0.08mm [.003 INCHES] FOR CONTACT TERMINATION DIAMETERS ±0.13mm [.005 INCHES] FOR ALL OTHER DIAMETERS ±0.38mm [.015 INCHES] FOR ALL OTHER DIMENSIONS ±5° FOR ALL ANGLES DIMENSION ARE IN MILLIMETERS [INCHES]		PART NUMBER SDD26S0000G	SERIES SDD	
		TITLE SDD26S0000G		
CREATED ON: 2022-12-29	SHEET SHEET 1 OF 1	REV A		

6

5

4

3

2

1