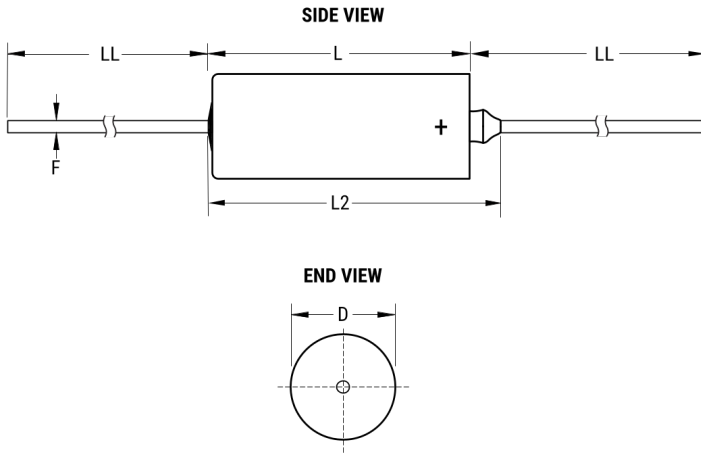


## T140C127K020AS7200

Aliases (T140C127K020AS7443, T140C127K020ASTR)

T140, Tantalum, MnO<sub>2</sub> Tantalum, Commercial Grade, 120 uF, 10%, 20 VDC



Click [here](#) for the 3D model.

### Dimensions

D	7.34mm +/-0.25mm
L	17.42mm +/-0.79mm
L2	20.88mm
LL	38.1mm +/-6.35mm
F	0.64mm +/-0.05mm

### Packaging Specifications

Packaging	T&R, 305mm, Class III, B = 73mm
Packaging Quantity	500

### General Information

Series	T140
Dielectric	MnO <sub>2</sub> Tantalum
Style	Axial Hermetic
Description	Axial, Solid Tantalum, Hermetically Sealed, Military (Non-ER), Polar
Features	Extended Capacitance, Polar
RoHS	No
Prop 65	<b>⚠ WARNING:</b> Cancer and reproductive harm - <a href="http://www.p65warnings.ca.gov">http://www.p65warnings.ca.gov</a> .
SCIP Number	be146961-2c72-4b45-804a-c62bf7a8b23e
Termination	Lead (SnPb)
Lead	Wire Leads
AEC-Q200	No
Construction	Hermetic
Notes	Dimensions Include Insulating Sleeve. When supplied on T&R or AMMO, lead length is determined by taping specification.

### Specifications

Capacitance	120 uF
Capacitance Tolerance	10%
Voltage DC	20 VDC (85C), 16 VDC (125C Surge), 0.2 VDC (125C Reverse)
Temperature Range	-55/+125°C
Rated Temperature	85°C
Dissipation Factor	6%
Leakage Current	12 uA (25°C)