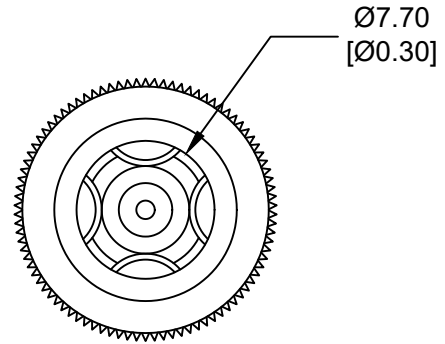
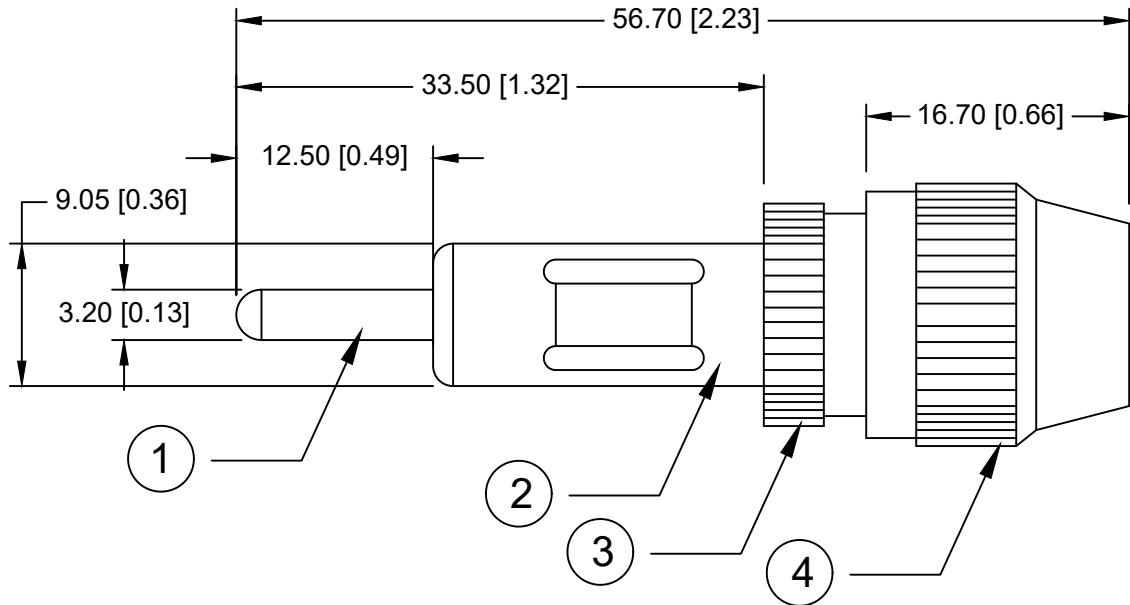



Date	SYM	REVISION RECORD	AUTH	DR.	CK.



MATERIAL

NO.	PART NAME	MATERIAL
1	PIN	BRASS
2	TUBE	BRASS
3	CASING	PP
4	CASING	PP

Tolerance (Except as noted)	 Memory Protection Devices, Inc 200 Broad Hollow Road, Farmingdale, New York 11735	Scale	Drawn By B.S.
			Approved By T.B.
decimal ±.5 (.020)	Title CAR RADIO ANTENNA PLUG SCREW TYPE		
Fractional ± .8 (.030)	Date 10/12/18	Drawing Number ZA1311	
Angular ± 3°			