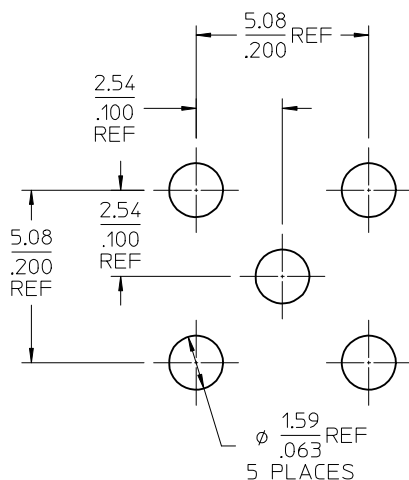
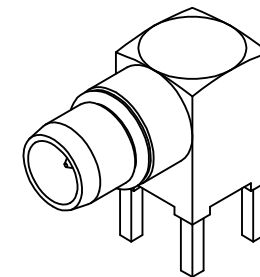
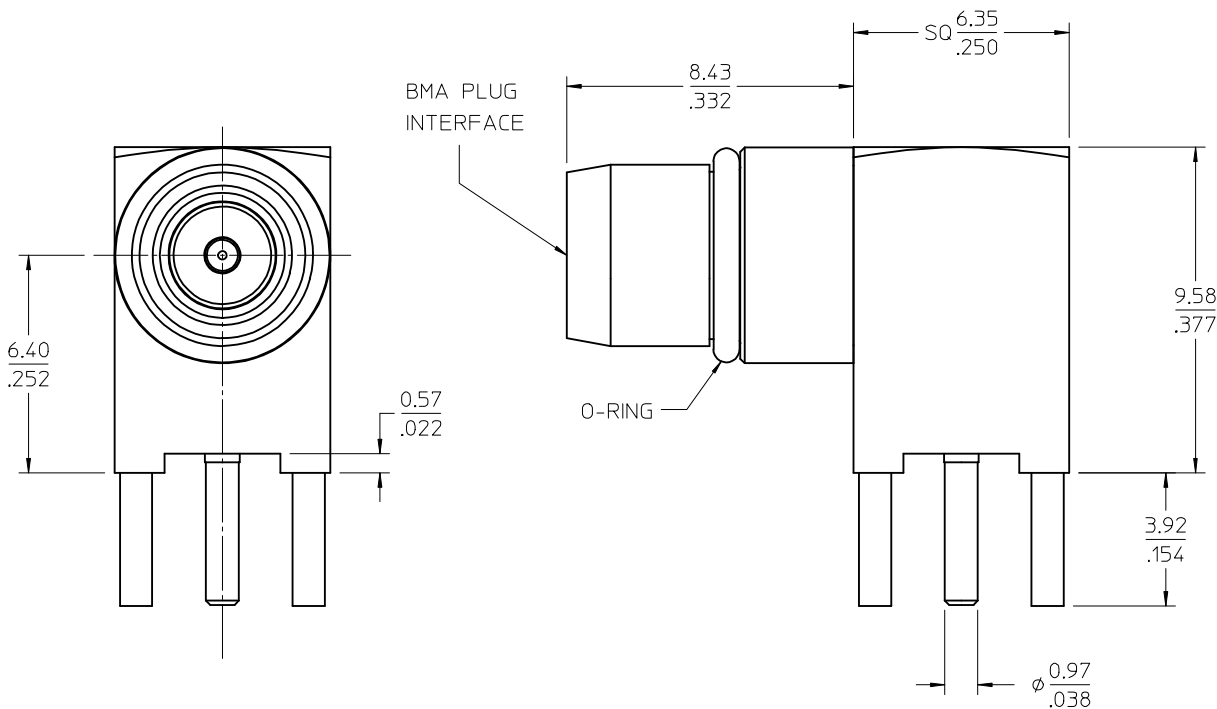


MATERIALS AND FINISHES:

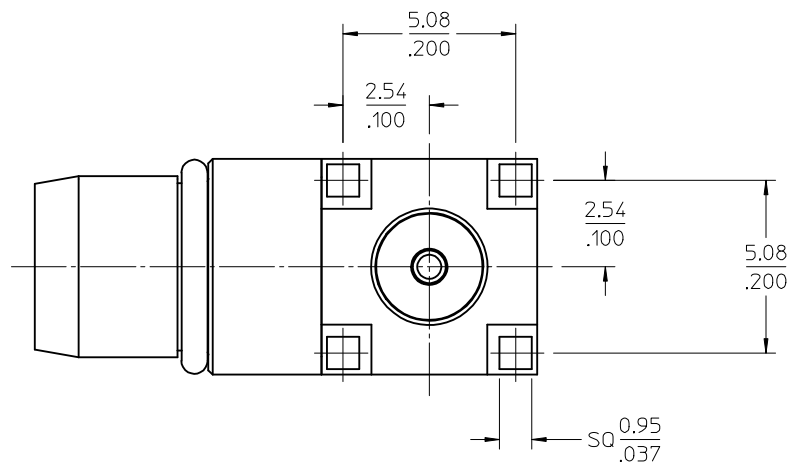
BODY, CONTACT: BRASS
PLATED GOLD

INSULATORS: PTFE

O-RING: SILICONE RUBBER



RECOMMENDED
PCB LAYOUT



PART # 73298-0100

PS-89675-1840	PRODUCT SPECIFICATION
MIL-STD-348A, FIG. 321.1	INTERFACE
SPECIFICATION	DESCRIPTION

CHG: REVISED TO
SHOW NEW
COMPONENTS.

EC NO: URF2015-0572
DRW: ARROBERTSON 2015/04/17
CHKD: SSS 2015/04/17
APPR: ARROBERTSON 2015/04/23

REV	DESCRIPTION
1	QUALITY SYMBOLS
2	QUALITY SYMBOLS
3	QUALITY SYMBOLS

GENERAL TOLERANCES (UNLESS SPECIFIED)	
mm	INCH
4 PLACES ± ---	± ---
3 PLACES ± 0.13	± .005
2 PLACES ± ---	± ---
1 PLACE ± ---	± ---
0 PLACE ±	±

ANGULAR ± 2 °

DRAFT WHERE APPLICABLE
MUST REMAIN
WITHIN DIMENSIONS

DIMENSION STYLE	
MM/IN	SCALE
DRAWN BY SSS	DATE 2006/10/19
CHECKED BY TEF	DATE 2006/10/19
APPROVED BY JW IENER	DATE 2011/09/28
MATERIAL NO. 732980100	DOCUMENT NO. SD-73298-010

TITLE	
BMA PLUG RA PCB THRU HOLE BMA-P/RA/PCB, EWR-3221	
molex	
SHEET NO. 1 OF 1	

THIS DRAWING CONTAINS INFORMATION THAT IS PROPRIETARY TO MOLEX
INCORPORATED AND SHOULD NOT BE USED WITHOUT WRITTEN PERMISSION