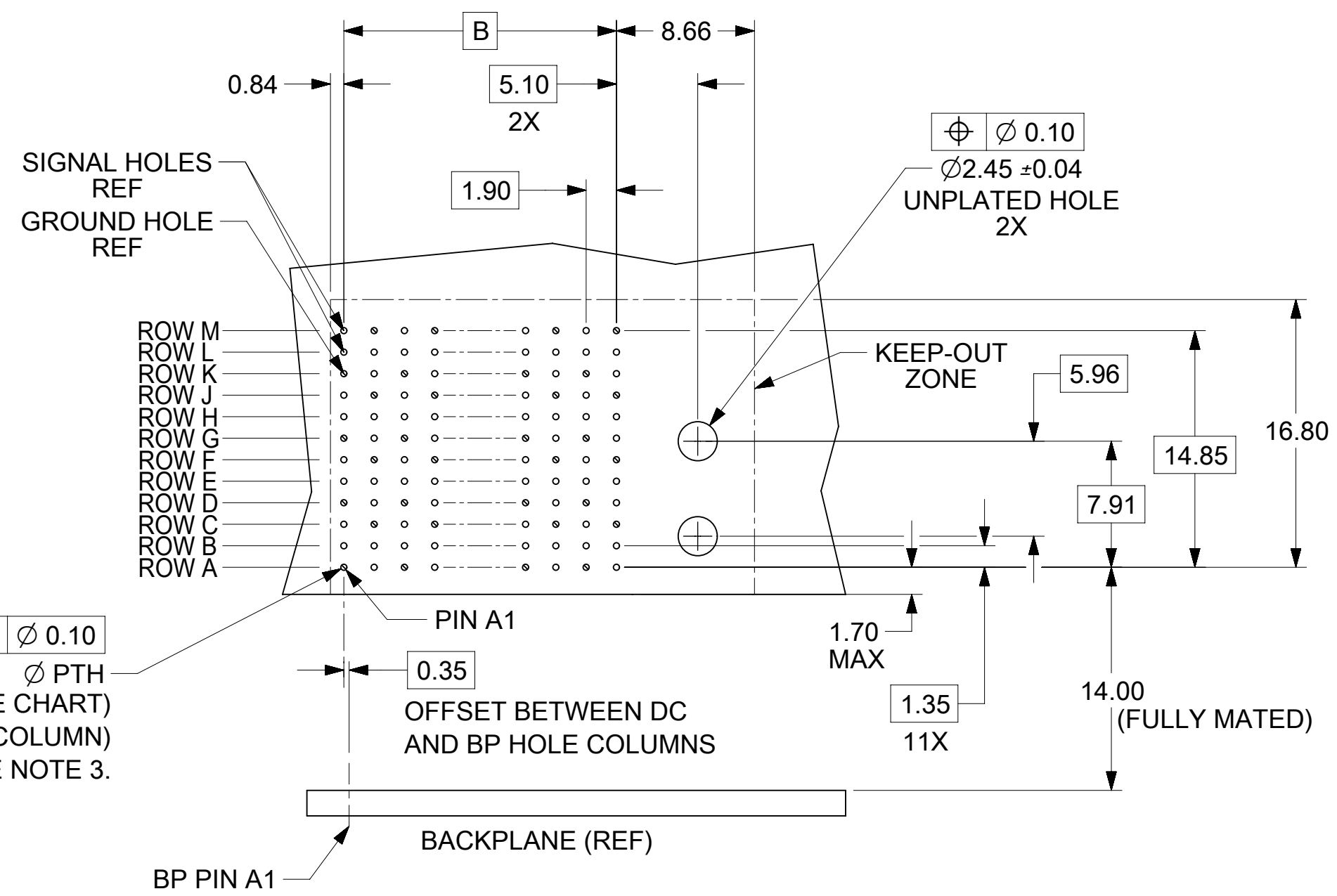
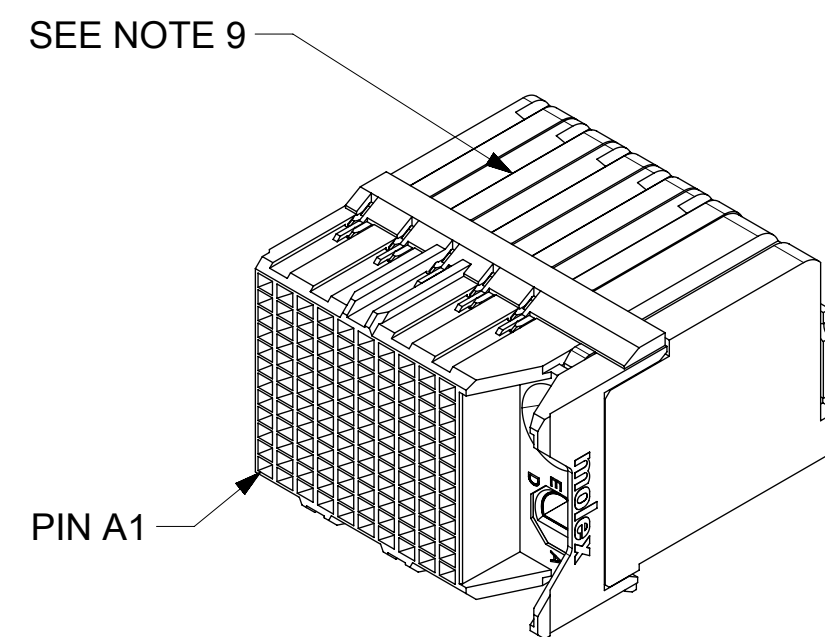
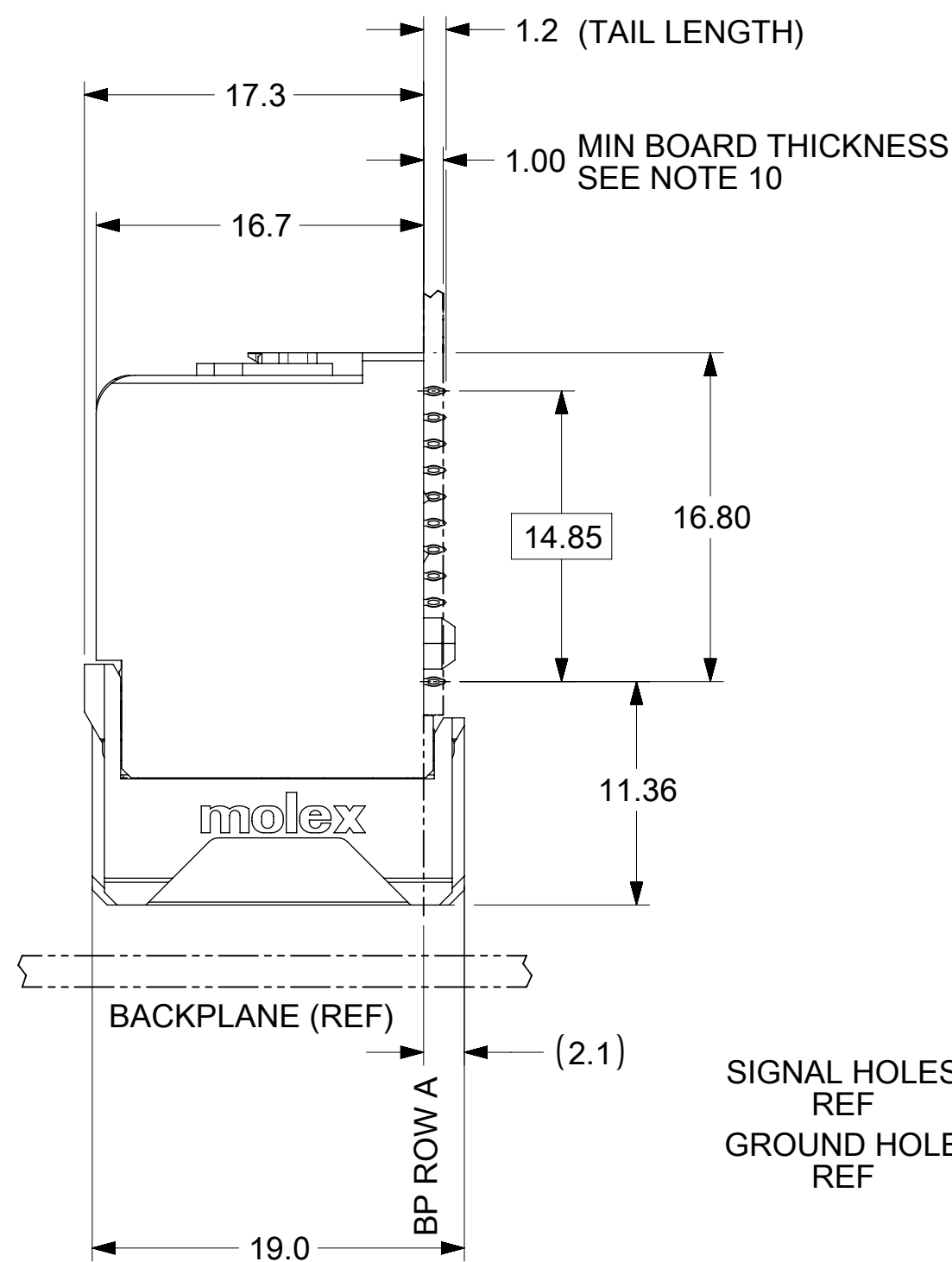


KEY SHOWN IN POSITION A



DAUGHTERCARD HOLE PATTERN (CONNECTOR SIDE)

- NOTES:
1. MATERIALS: HOUSING - LIQUID CRYSTAL POLYMER (LCP), GLASS-FILLED, UL94V-0
TERMINALS - HIGH PERFORMANCE COPPER ALLOY
 2. FINISH: 30µIN MIN SELECTIVE GOLD IN CONTACT AREA, SELECTIVE TIN ON PCB TAILS. NICKEL OVERALL.
 3. REFER TO MOLEX PRODUCT SPEC PS-76060-999 FOR PERFORMANCE SPECIFICATIONS AND ADDITIONAL PCB INFORMATION.
 4. EACH SIGNAL WAFER CONTAINS 2 COLUMNS OF TERMINALS.
 5. PRODUCT IS PACKAGED PER PK-70873-610.
 6. THIS PART CONFORMS TO CLASS B REQUIREMENTS OF COSMETIC SPEC PS-45499-002.
 7. REFER TO MOLEX SALES DRAWING SD-76155-003 FOR THE MATING HEADERS AND SD-76500-002 FOR THE MATING RAM CONNECTORS
 8. REFER TO MOLEX PCB MOUNTING GUIDE AS-76060-990 FOR ANTIPAD AND ROUTING RECOMMENDATIONS.
 9. PART NUMBER 76160-5120 SHOWN ON DRAWING. KEYING FEATURES WILL CHANGE WITH COLUMN SIZE.
 10. MINIMUM BOARD THICKNESS IS 1.00 mm FOR COMPLIANT PIN FUNCTIONALITY.
 11. WHEN USING MOLEX SUPPLIED #2-32 SCREW 73726-0000 (9.50mm ±0.38 THREADABLE SCREW LENGTH), THE MAXIMUM BOARD THICKNESS IS 4.4mm.
 12. MARKING: LOCATED APPROXIMATELY AS SHOWN. PART NUMBER AND DATE CODE.

| | | | | | | | | | |
|---|--|------------------------|--|---|--|--------|--|--|--|
| THIS DRAWING CONTAINS INFORMATION THAT IS PROPRIETARY TO MOLEX ELECTRONIC TECHNOLOGIES, LLC AND SHOULD NOT BE USED WITHOUT WRITTEN PERMISSION | | | | | | | | | |
| DIMENSION UNITS | | SCALE | | CURRENT REV DESC: MIGRATED TO NX | | | | | |
| mm | | NTS | | <p>IMPACT 100 OHM DC 4 PAIR SIGNAL MODULE GUIDE RIGHT SALES DWG</p> <p>PRODUCT CUSTOMER DRAWING</p> <p>DOCUMENT NUMBER: SD-76160-004 DOC TYPE: PSD DOC PART: 001 REVISION: G4</p> <p>MATERIAL NUMBER: SEE CHART CUSTOMER: GENERAL MARKET SHEET NUMBER: 1 OF 2</p> | | | | | |
| GENERAL TOLERANCES (UNLESS SPECIFIED) | | | | | | | | | |
| ANGULAR TOL ± 0.5° | | | | | | | | | |
| 4 PLACES ± | | | | | | | | | |
| 3 PLACES ± | | | | | | | | | |
| 2 PLACES ± 0.13 | | | | | | | | | |
| 1 PLACE ± 0.25 | | | | | | | | | |
| 0 PLACES ± | | | | INITIAL REVISION: | | | | | |
| DRAFT WHERE APPLICABLE MUST REMAIN WITHIN DIMENSIONS | | THIRD ANGLE PROJECTION | | DRAWING | | SERIES | | | |
| | | | | C-SIZE | | 76160 | | | |

| MATERIAL NUMBER | # OF COLUMNS | # OF DIFF PAIR | DIM "A" MAX | DIM "B" | PTH ϕ |
|-----------------|--------------|----------------|-------------|---------|--------------------|
| 76160-**06 | 6 | 24 | 19.00 | 9.50 | 0.46 ± 0.04 |
| 76160-**08 | 8 | 32 | 22.80 | 13.30 | |
| 76160-**10 | 10 | 40 | 26.60 | 17.10 | |
| 76160-**16 | 16 | 64 | 38.00 | 28.50 | |
| 76160-**06 | 6 | 24 | 19.00 | 9.50 | 0.39 ± 0.05 |
| 76160-**38 | 8 | 32 | 22.80 | 13.30 | |
| 76160-**20 | 10 | 40 | 26.60 | 17.10 | |
| 76160-**26 | 16 | 64 | 38.00 | 28.50 | |

76160-****

MODULE & TAIL PLATING TYPE
5 = RIGHT GUIDED LEAD-FREE

POLARIZATION KEY ORIENTATION

0 = NO KEY
1 = A 5 = E
2 = B 6 = F
3 = C 7 = G
4 = D 8 = H

OF COLUMNS

06 = 6 COL 0.46 PTH
08 = 8 COL 0.46 PTH
10 = 10 COL 0.46 PTH
16 = 16 COL 0.46 PTH
20 = 10 COL 0.39 PTH
26 = 16 COL 0.39 PTH
38 = 8 COL 0.39 PTH
36 = 6 COL 0.39 PTH

THIS DRAWING CONTAINS INFORMATION THAT IS PROPRIETARY TO MOLEX ELECTRONIC TECHNOLOGIES, LLC AND SHOULD NOT BE USED WITHOUT WRITTEN PERMISSION

| DIMENSION UNITS | SCALE | CURRENT REV DESC: MIGRATED TO NX | | molex | | |
|--|-----------------|----------------------------------|------------|---|--------------|----------------|
| mm | NTS | | | IMPACT 100 OHM DC 4 PAIR SIGNAL MODULE GUIDE RIGHT SALES DWG | | |
| GENERAL TOLERANCES (UNLESS SPECIFIED) | | EC NO: 622030 | | PRODUCT CUSTOMER DRAWING | | |
| ANGULAR TOL | $\pm 0.5^\circ$ | DRWN: SKRISHNAMU01 | 2019/07/30 | DOCUMENT NUMBER | | |
| 4 PLACES | \pm | CHK'D: PRAMASWAMY | 2019/08/07 | SD-76160-004 | | |
| 3 PLACES | \pm | APPR: SHONG | 2019/08/08 | DOC TYPE | DOC PART | REVISION |
| 2 PLACES | ± 0.13 | INITIAL REVISION: | | PSD | 001 | G4 |
| 1 PLACE | ± 0.25 | DRWN: MCARRANZA | 2007/07/11 | MATERIAL NUMBER | | |
| 0 PLACES | \pm | APPR: JLAURX | 2007/07/11 | CUSTOMER | | |
| DRAFT WHERE APPLICABLE MUST REMAIN WITHIN DIMENSIONS | | THIRD ANGLE PROJECTION | DRAWING | SERIES | SHEET NUMBER | |
| | | | C-SIZE | 76160 | SEE CHART | GENERAL MARKET |
| | | | | | 2 OF 2 | |

DOCUMENT STATUS P1 RELEASE DATE 2019/08/08 22:00:44