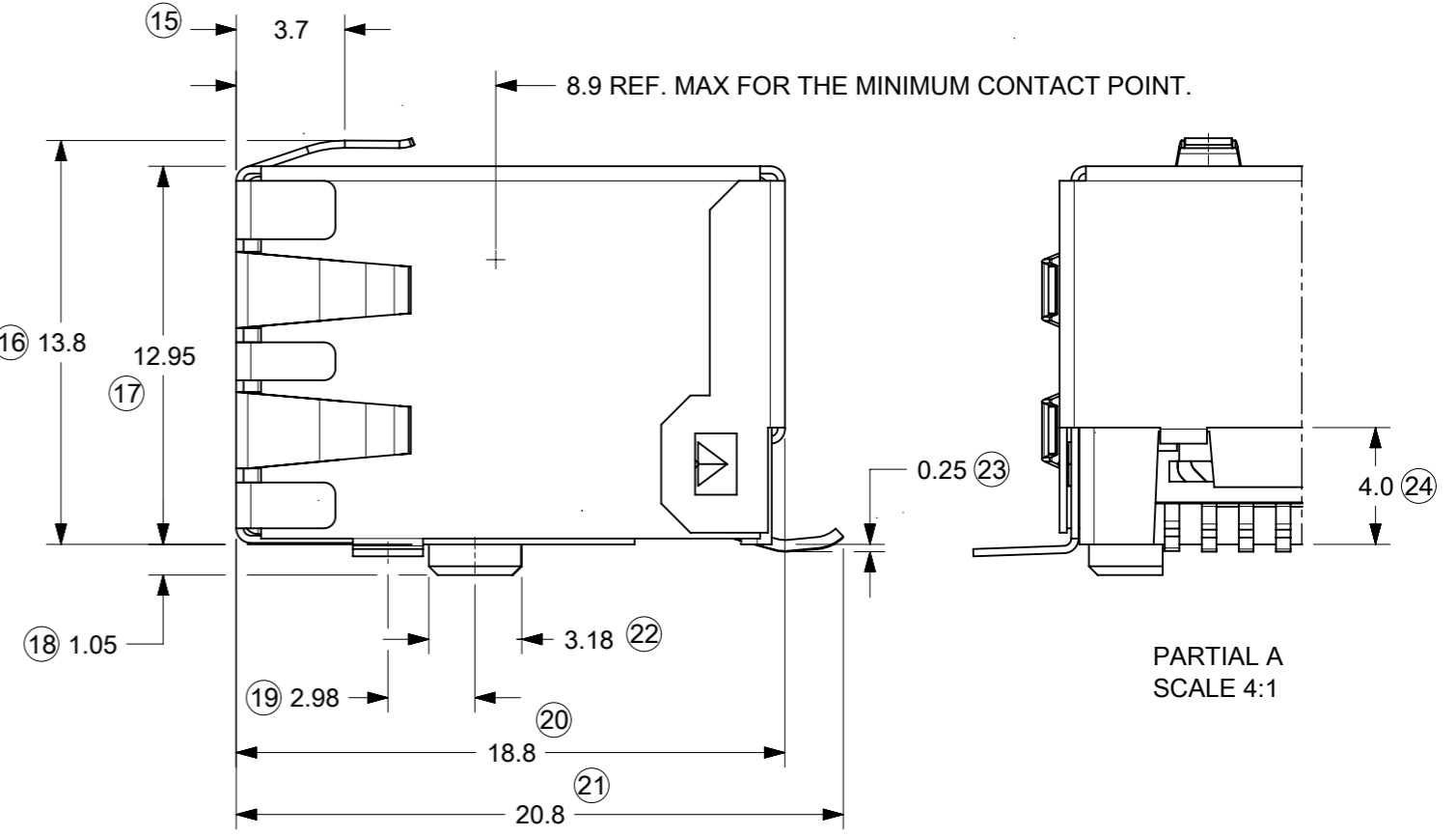
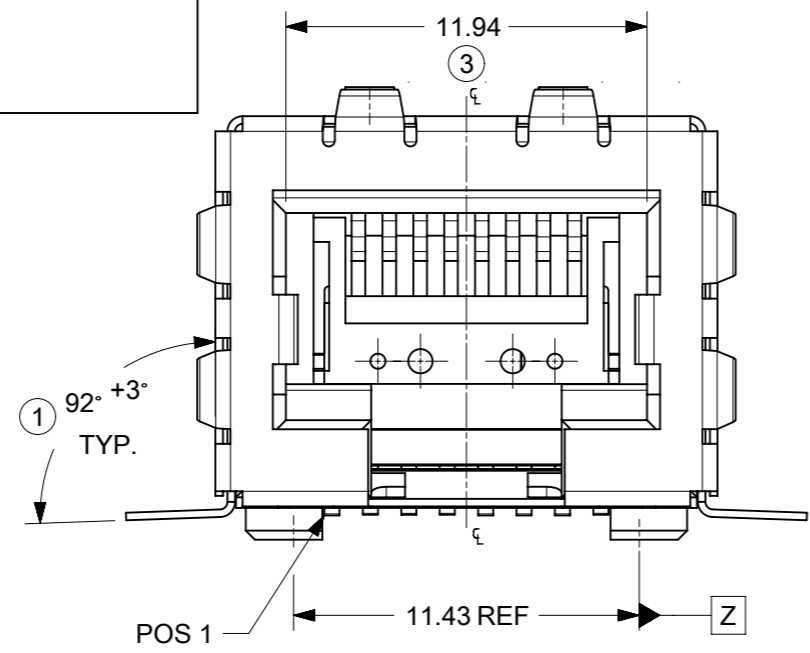
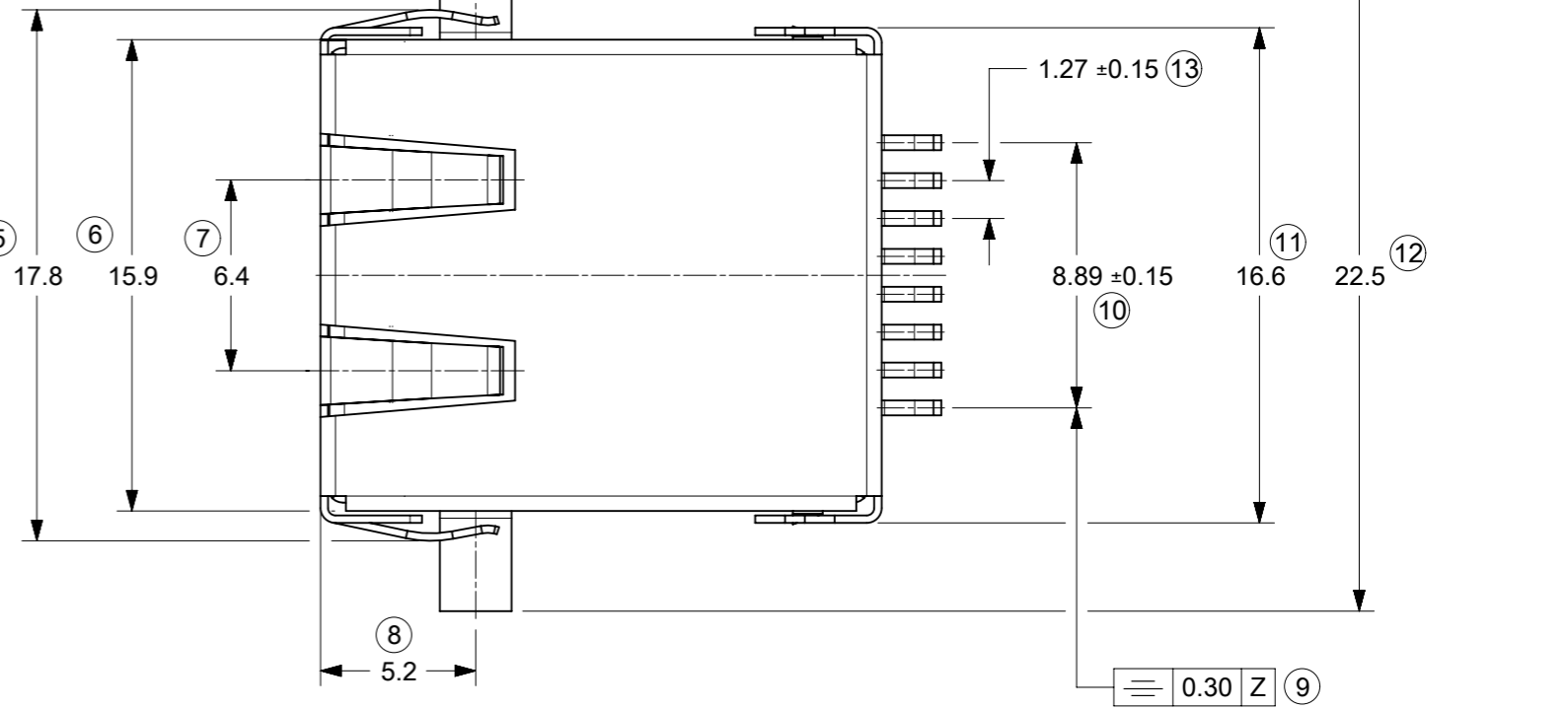
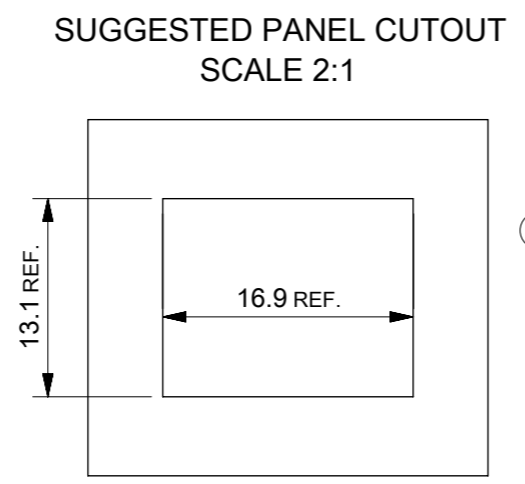


RECOMMENDED P.C.B. LAYOUT
VIEW FROM COMPONENT SIDE
ALL DIMENSIONS REF DIMENSIONS

| | |
|------------|---------|
| PART NO. | PLATING |
| 85543-7001 | 7 |



PARTIAL A
SCALE 4:1

- NOTES:
- JACK FOR MATING WITH SHIELDED PLUG (MOLEX 95043 SERIES)
 - PRODUCT SPECIFICATION: PS-85543-002
 - PACKAGING SPECIFICATION: PK-85542-002 (BLISTER ON REEL)
 - COPLANARITY OF SIGNAL LEADS: 0.10 MAX
 - EXCEEDS CATEGORY 5E PERFORMANCE.
 - RECOMMENDED PCB THICKNESS 1.57

LAST INSPECTION No: 25
REMOVED INSPECTION NO: 2

TECHNICAL SPECIFICATIONS:
MATERIAL:
HOUSING: LCP GLASS FILLED UL 94V0,
COLOUR BLACK.
TERMINAL: PHOSPHOR BRONZE PLATED WITH:
PLATING 7: POST PLATE 0.00005 MIN GOLD FLASH OVER
0.00060 MIN PALLADIUM-NICKEL IN CONTACT AREA,
0.00190 MIN PURE TIN IN TAIL AREA,
BOTH OVER 0.00127 MIN NICKEL OVERALL.
SHIELD: BRASS PLATED WITH 0.0020 MIN TIN.

| | | | | | |
|---|-------|--------------------------------------|--|----------------------------|--|
| THIS DRAWING CONTAINS INFORMATION THAT IS PROPRIETARY TO MOLEX ELECTRONIC TECHNOLOGIES, LLC AND SHOULD NOT BE USED WITHOUT WRITTEN PERMISSION | | CURRENT REV DESC: ADDED PANEL CUTOUT | | molex | |
| DIMENSION UNITS | SCALE | EC NO: 735778 | | | |
| mm | 4:1 | DRWN: ASWINA 2022/12/26 | | PRODUCT CUSTOMER DRAWING | |
| GENERAL TOLERANCES (UNLESS SPECIFIED) | | CHK'D: KLANG 2023/01/27 | | DOCUMENT NUMBER | |
| ANGULAR TOL ± 2.0° | | APPR: KLANG 2023/01/27 | | SD-85543-501 | |
| 4 PLACES ± | | INITIAL REVISION: | | DOC TYPE DOC PART REVISION | |
| 3 PLACES ± | | DRWN: DBYRNES 2006/09/05 | | PSD 001 C2 | |
| 2 PLACES ± 0.25 | | APPR: EOMAHONY 2006/09/06 | | MATERIAL NUMBER | |
| 1 PLACE ± 0.35 | | THIRD ANGLE PROJECTION | | CUSTOMER | |
| 0 PLACES ± | | DRAWING | | GENERAL MARKET | |
| DRAFT WHERE APPLICABLE MUST REMAIN WITHIN DIMENSIONS | | SERIES | | SHEET NUMBER | |
| | | A3-SIZE | | 1 OF 1 | |