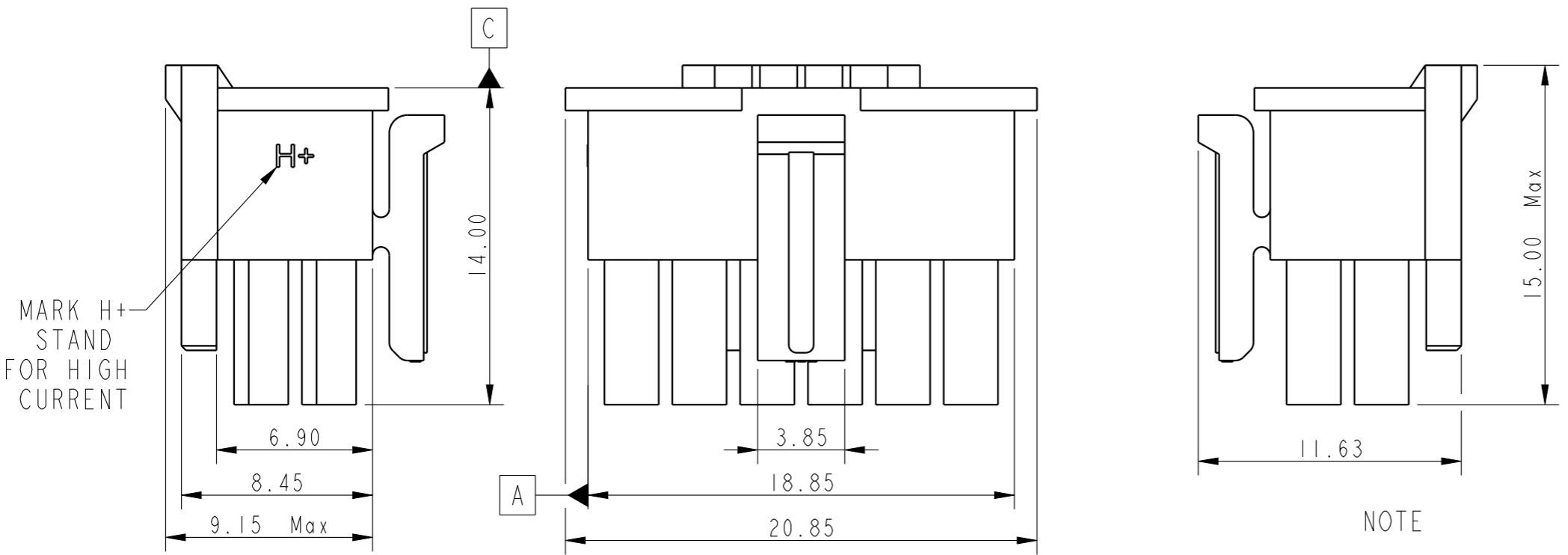


P/N: 10161719-124GLF



NOTE

- 1 MATERIAL:
HOUSING: NYLON, PA66 UNFILLED
UL94V-0 COLOUR BLACK, GLOW WIRE COMPATIBLE
- 2 USED WITH AICC POWER TERMINAL-10134160, 10132447
- 3 USED WITH AICC SIGNAL TERMINAL-10161952
- 4 MATES WITH AICC HEADER 10160920, 10164279, 10164297, 10164298, 10163894, 10165362
- 5 PRODUCT SPECIFICATION: GS-12-1706
- 6 PACKAGE SPECIFICATION: GS-14-2802
- 7 APPLICATION SPECIFICATION: GS-20-0704

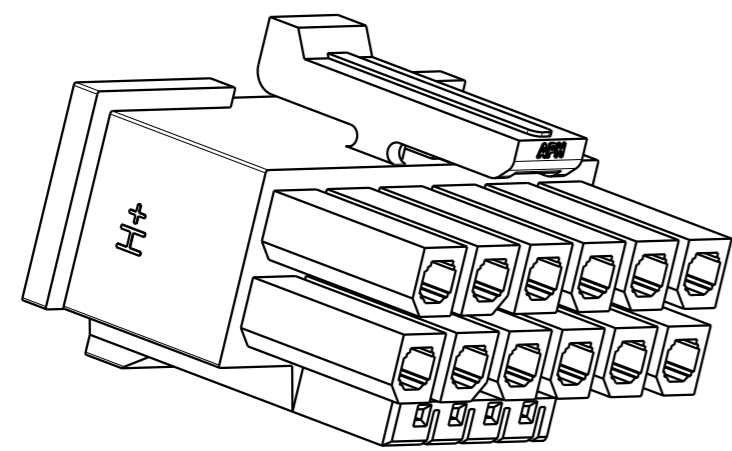
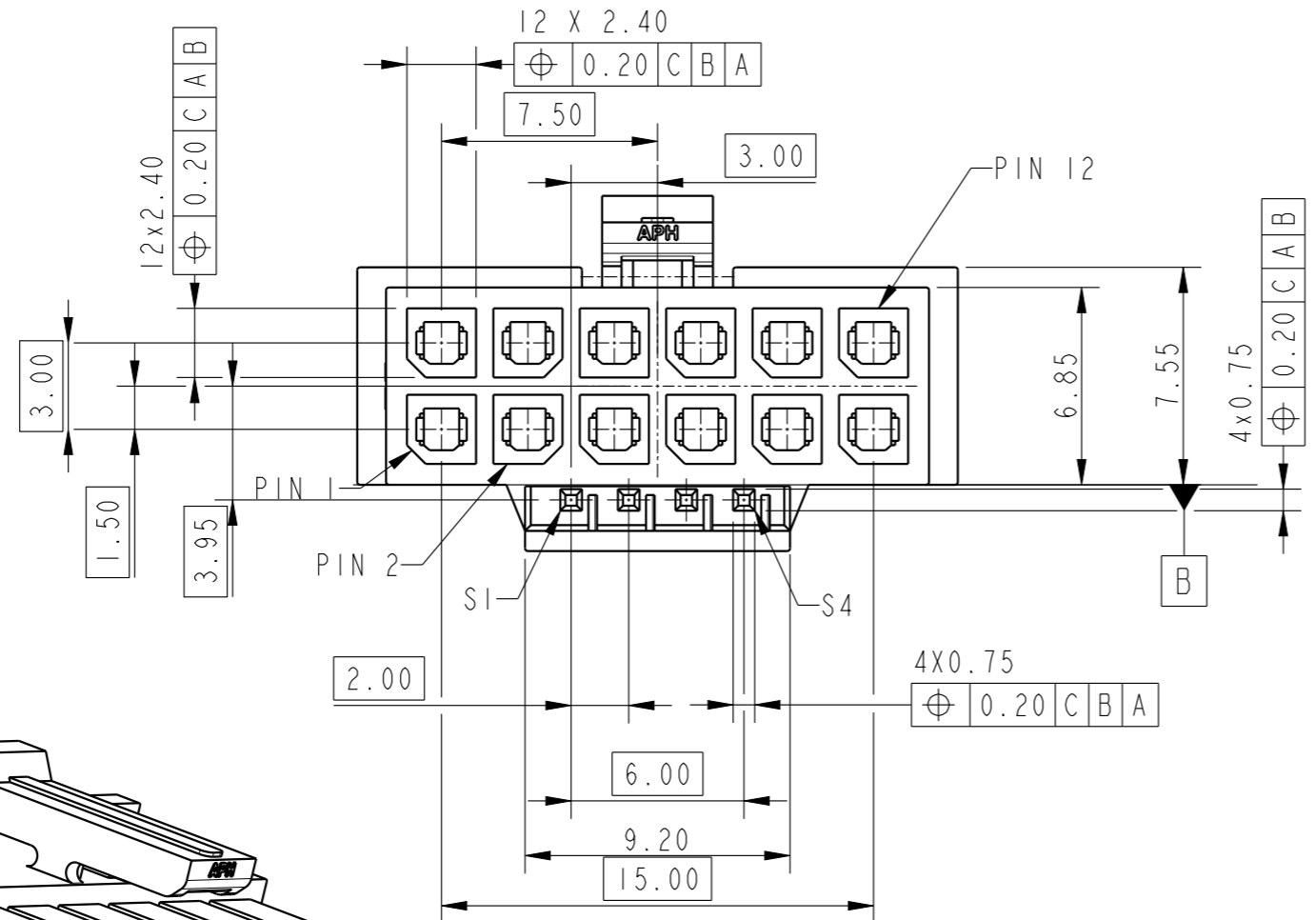
8. PART NUMBER LOGIC

10161719-XX X X LF

NO. OF POWER POSITIONS
12 → 12 PINS

NO. OF SIGNAL POSITIONS
4 → 4 PINS

MATERIAL
G → PA66, GLOW WIRE COMPATIBLE, BLACK



spec ref	dr	NITHIN N C	2022-02-22	projection	MM	size	A3	scale	4:1
tolerance std	eng	LEJO VARGHESE	2022-02-22			ecn no	rel level	-	-
ISO 406 ISO 1101	chr	MITHUN PAUL	2022-07-12						
surface	linear	0.X	±0.25	product family	-	-	-	-	-
		0.XX	±0.20						
ISO 1302	angular	0°	±2°	Amphenol FCI	HYBRID REC HOUSING	10161719	rev	C	
TOLERANCES UNLESS OTHERWISE SPECIFIED				cat. no.	Product - Customer Drw	sheet 1 of 1			

Amphenol FCI

© 2016 AFCI