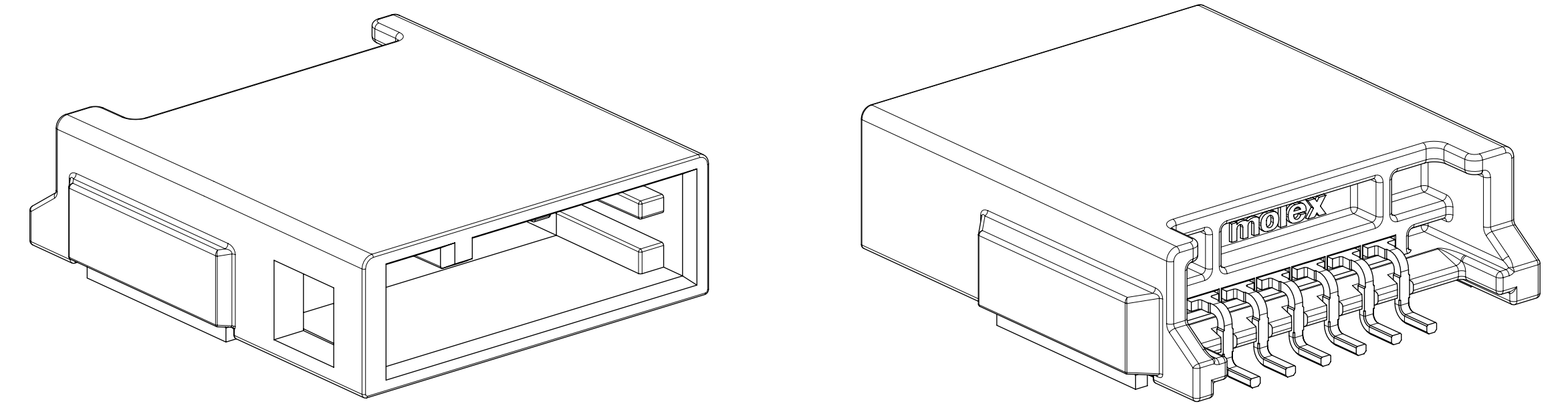


**EXAMPLE:**

PN 2080333041  
 208033 - SERIES NUMBER: SINGLE ROW RIGHT ANGLE SMT HEADER - STD. PERF.  
 3 - TYPE OF COMPONENT: V0 MATERIAL; FULLY POPULATED  
 04 - 4 USABLE CIRCUITS  
 1 - KEY A

FINAL PART: 4CKT SINGLE ROW RIGHT ANGLE V0 SMT HEADER - KEY A

# CONNTAK50 SINGLE ROW RIGHT ANGLE SMT HEADERS (6CKT SHOWN)



**NOTES:**

VALID UNLESS OTHERWISE SPECIFIED

- GENERAL:
  - APPLICATION SPECIFICATION SEE: 2046310000-AS
  - PRODUCT SPECIFICATION SEE: 2046310000-PS
  - PACKAGING SPECIFICATION PER MOLEX DRAWING: 2080333021-PK
    - PACKAGING IS TAPE & REEL
  - COMPATIBLE WITH STANDARD AK INTERFACE C-114-94000-20 REV A1
  - CONFORMS TO MOLEX AK INTERFACE 2046310001 REV A
    - MOLEX AK INTERFACE IS PART OF PPAP
  - TRACEABILITY MARKED IN AREA SHOWN. MARK IS CODED AS FOLLOWS:
    - ROW 1 ("XXXXXXXX" OR "XXXXXXXX-X"):
      - "XXXXXXXX" IS MOLEX PART NUMBER ("-X" INDICATES ASSEMBLY LINE NUMBER IF APPLICABLE)
    - ROW 2 (HHDDYY Z)
      - 1ST & 2ND DIGITS (HH): HOUR OF ASSEMBLY (24 HOUR CLOCK) (EXAMPLE: 15:00 --> "15", 7:00 --> "07")
      - 3RD THRU 5TH DIGITS (DDD): JULIAN DATE (EXAMPLE: FEBRUARY 3RD --> "034")
      - 6TH & 7TH DIGITS (YY): LAST 2 DIGITS OF CALENDAR YEAR (EXAMPLE: 2013 --> "13")
      - 8TH DIGIT (Z): PERFORMANCE MARKING.
- DESIGN - MATERIALS:
  - SHROUD (PLASTIC HOUSING): PA9T-GF30%
  - BLADES:
    - STANDARD PERFORMANCE BLADES
      - BASE MATERIAL: C26000 BRASS
      - UNDERPLATING (CONTACT REGION): NICKEL 1.0 - 1.8 µm
      - OVERPLATING (CONTACT REGION): MATTE TIN: 1.0 - 3.0 µm
- DESIGN - GEOMETRY:
  - GEOMETRIC DIMENSIONS AND TOLERANCES PER ASME Y14.5M-2009

	SERIES NUMBERS (AAAAAA)	TYPE OF COMPONENT (B)	USABLE CIRCUITS (CC)	KEY (D)
MATING COMPONENT	205827 - SR TANG RECEPTACLE	2 - STD MATL; FULLY POPULATED 3 - V0 MATL; FULLY POPULATED	02 - 2 Circuits	1 - KEY A
ON DRAWING	208037 - SR CLEAN BODY RECEPTACLE		...	2 - KEY B
OTHER	208033 - SR RIGHT ANGLE SMT HEADER - STANDARD PERF.		...	3 - KEY C
	208035 - SR VERTICAL SMT HEADER - STANDARD PERF.		11 - 11 Circuits	4 - KEY D

INTERFACE	INTERFACE CKT SIZE	DIM A	DIM B	DIM C	DIM D	DIM E	DIM F	KEY	COLOR	PART NUMBER	TOOLING STATUS
	2	11.95	10.45	4.95	0.375	5.60	0.375	A	BLACK	2080333021	AVAILABLE
								B	NATURAL	2080333022	
								C	BLUE	2080333023	
								D	VIOLET	2080333024	
	3	13.75	12.25	5.85	1.275	6.50	1.275	A	BLACK	2080333031	AVAILABLE
								B	NATURAL	2080333032	
								C	BLUE	2080333033	
								D	VIOLET	2080333034	
	4	15.55	14.05	6.75	2.175	7.40	2.175	A	BLACK	2080333041	AVAILABLE
								B	NATURAL	2080333042	
								C	BLUE	2080333043	
								D	VIOLET	2080333044	
	5	17.35	15.85	7.65	3.075	8.30	3.075	A	BLACK	2080333051	AVAILABLE
								B	NATURAL	2080333052	
								C	BLUE	2080333053	
								D	VIOLET	2080333054	
	6	19.15	17.65	8.55	3.975	9.20	3.975	A	BLACK	2080333061	AVAILABLE
								B	NATURAL	2080333062	
								C	BLUE	2080333063	
								D	VIOLET	2080333064	
	7	20.95	19.45	9.45	4.875	10.10	4.875	A	BLACK	2080333071	INQUIRE FOR AVAILABILITY
								B	NATURAL	2080333072	
								C	BLUE	2080333073	
								D	VIOLET	2080333074	
	8	22.75	21.25	10.35	5.775	11.00	5.775	A	BLACK	2080333081	INQUIRE FOR AVAILABILITY
								B	NATURAL	2080333082	
								C	BLUE	2080333083	
								D	VIOLET	2080333084	
	9	24.55	23.05	11.25	6.675	11.90	6.675	A	BLACK	2080333091	INQUIRE FOR AVAILABILITY
								B	NATURAL	2080333092	
								C	BLUE	2080333093	
								D	VIOLET	2080333094	
	10	26.35	24.85	12.15	7.575	12.80	7.575	A	BLACK	2080333101	INQUIRE FOR AVAILABILITY
								B	NATURAL	2080333102	
								C	BLUE	2080333103	
								D	VIOLET	2080333104	
	11	28.15	26.65	13.05	8.475	13.70	8.475	A	BLACK	2080333111	INQUIRE FOR AVAILABILITY
								B	NATURAL	2080333112	
								C	BLUE	2080333113	
								D	VIOLET	2080333114	

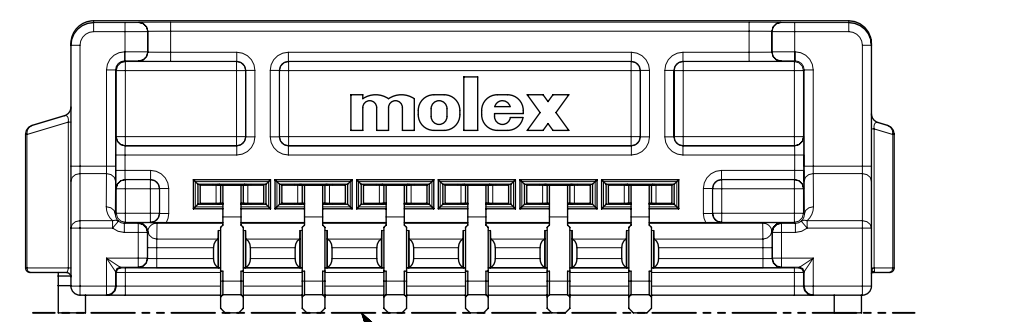
STANDARD PERF.  
RIGHT ANGLE  
V0 SMT HEADER

PERFORMANCE  
MARK: S

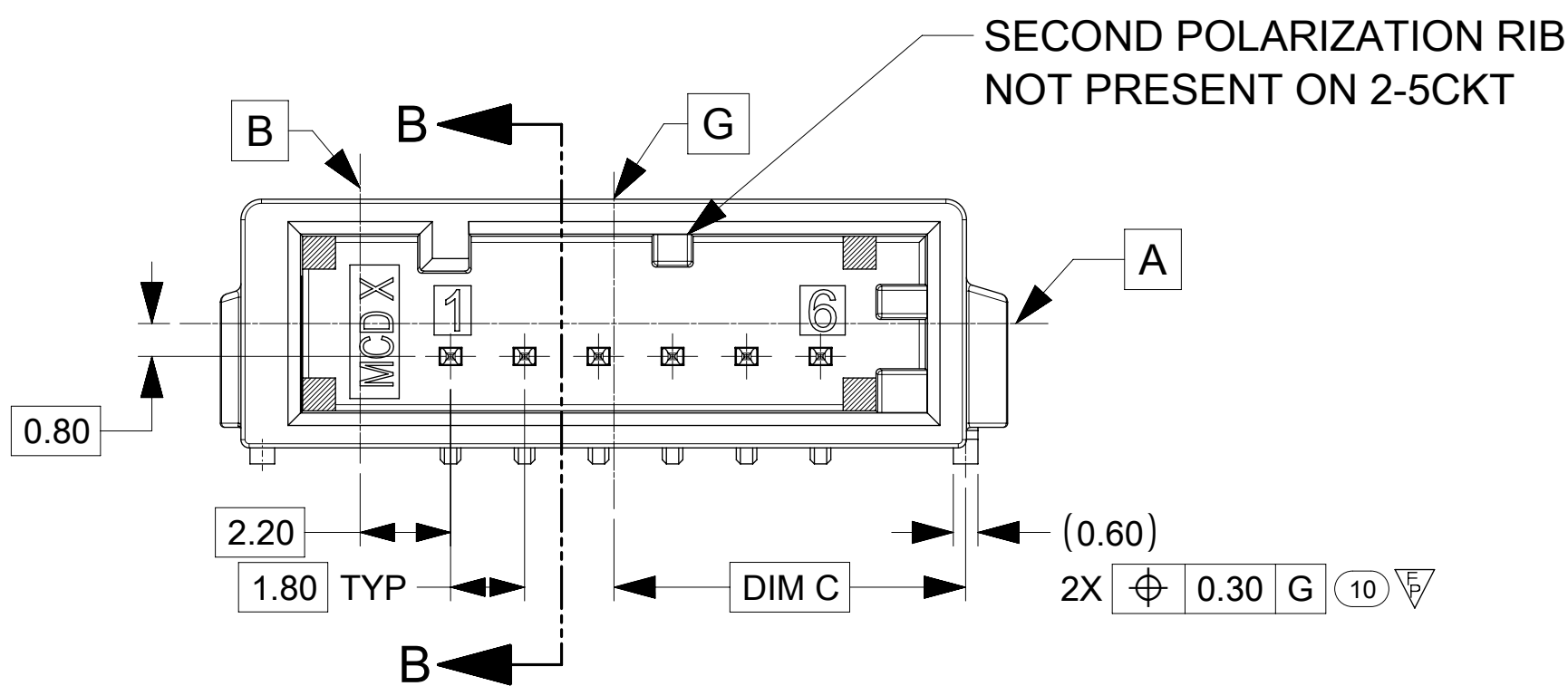
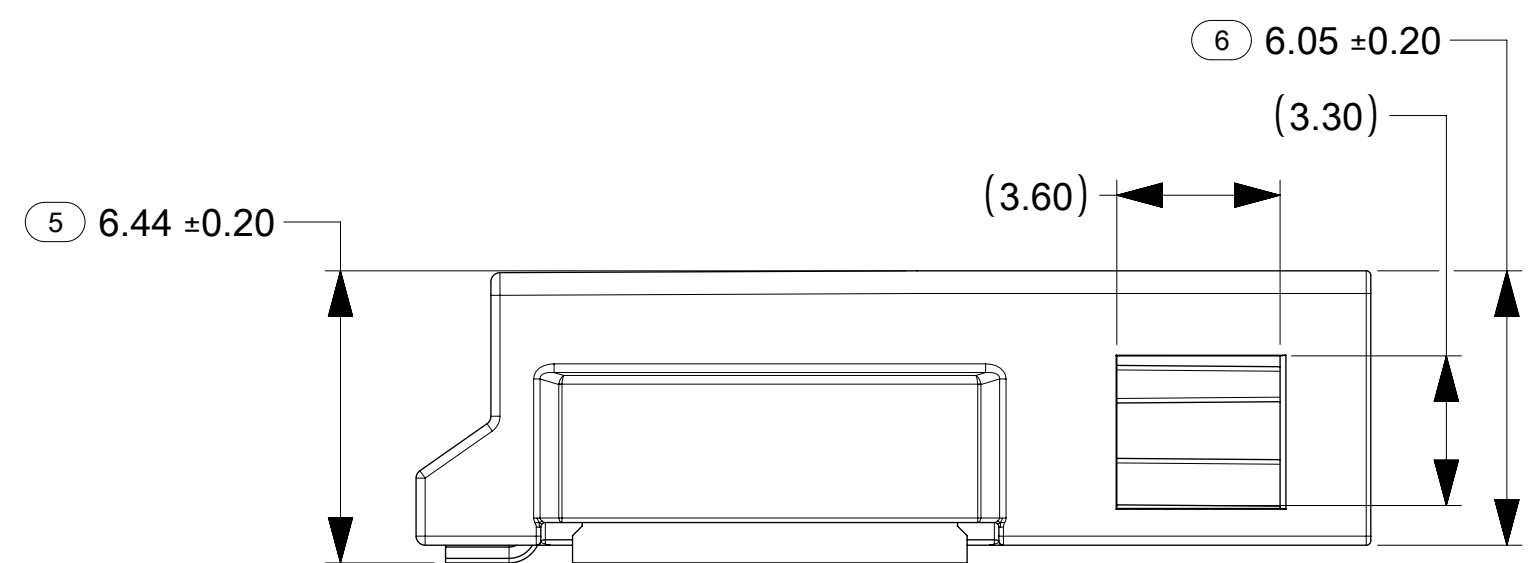
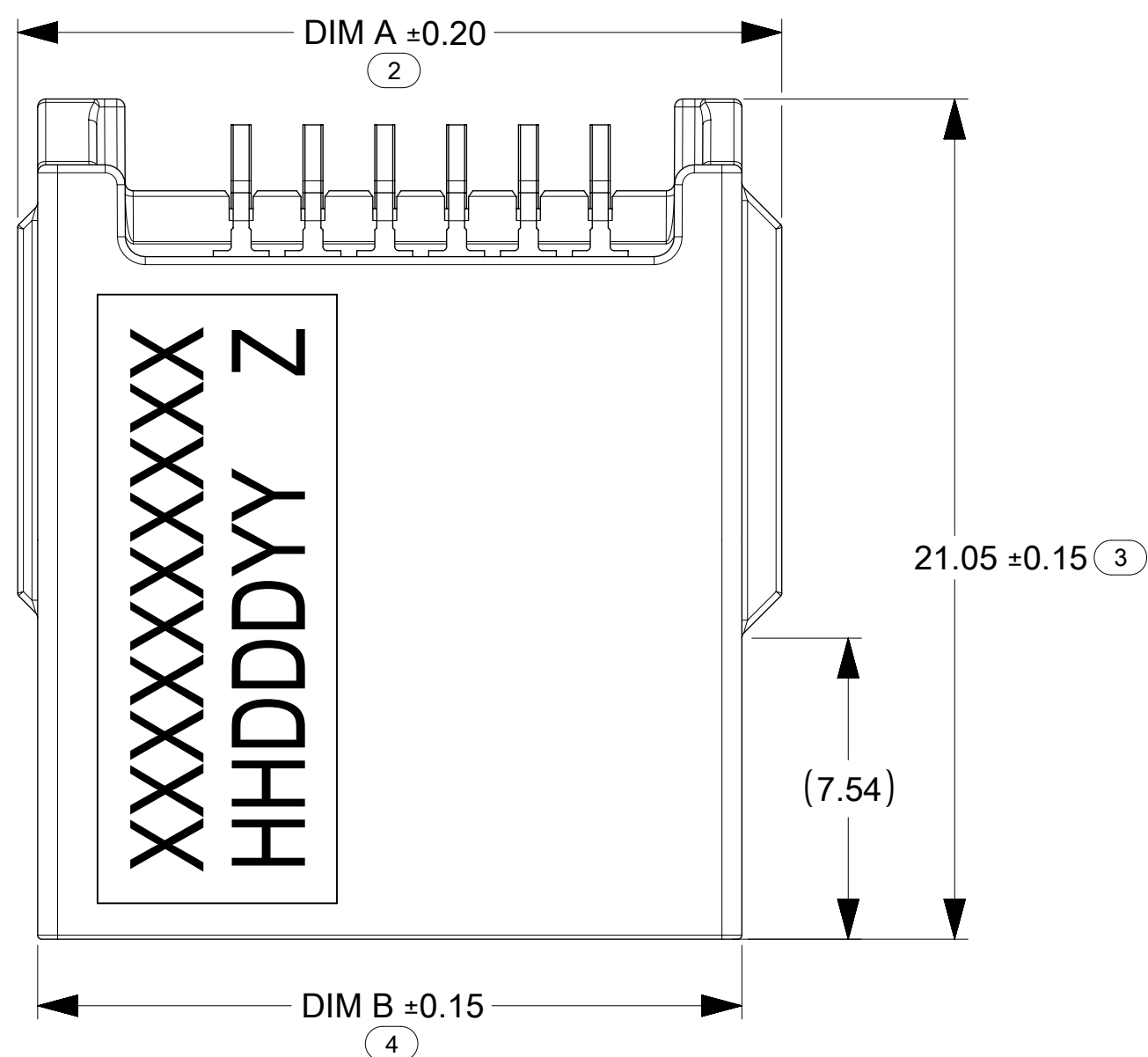
INSPECTION BALLOON LOG		B4	UPDATED: POL B COLOR FROM GREY TO NATURAL IN BOM																		
PER DRAWING REVISION: B4		B3	NO CHANGE TO SALES DRAWING, CHANGED ENGINEERING AND ASSEMBLY DRAWINGS																		
LAST BALLOON USED: 13		B2	UPDATED TOLERANCE ON DIM 6 FROM 0.05 TO 0.20MM																		
ADDED BALLOON NUMBERS: 10, 11, 12, 13		B1	UPDATED SR CLEAN BODY SERIES NUMBER SHOWN IN TABLE, CORRECTED DIM D																		
REMOVED BALLOON NUMBERS: 7, 8		B	REMOVED DATUMS D, E, & F; ADDED DATUM G; UPDATED PCB LAYOUT; REMOVED DIM 7, 8; ADDED DIMS 10, 11, 12, 13; REMOVED HIGH PERFORMANCE PART NUMBERS; UPDATED STANDARD PERFORMANCE PLATING																		
THIS DRAWING CONTAINS INFORMATION THAT IS PROPRIETARY TO MOLEX ELECTRONIC TECHNOLOGIES, LLC AND SHOULD NOT BE USED WITHOUT WRITTEN PERMISSION		A3	UPDATED DIMS 7 & 8 FROM 0.20 TO 0.25MM; UPDATED DIM E; ADDED DIM 9																		
DIMENSION UNITS: mm		A2	UPDATED VARIABLE DIMENSION TABLE; ORDER OF VARIABLE DIMENSIONS HAS CHANGED; DIM G IS CREATED.																		
SCALE: 5:1		A1	LATCH WALL MODIFICATION; DATUM D & DATUM E CHANGE; TRACEABILITY MARKINGS ADDED																		
CURRENT REV DESC:		REV	DESCRIPTION																		
GENERAL TOLERANCES (UNLESS SPECIFIED)		<table border="1"> <tr> <td>ANGULAR TOL</td> <td>±</td> <td>°</td> </tr> <tr> <td>4 PLACES</td> <td>±</td> <td></td> </tr> <tr> <td>3 PLACES</td> <td>±</td> <td></td> </tr> <tr> <td>2 PLACES</td> <td>±</td> <td></td> </tr> <tr> <td>1 PLACE</td> <td>±</td> <td></td> </tr> <tr> <td>0 PLACES</td> <td>±</td> <td></td> </tr> </table>		ANGULAR TOL	±	°	4 PLACES	±		3 PLACES	±		2 PLACES	±		1 PLACE	±		0 PLACES	±	
ANGULAR TOL	±	°																			
4 PLACES	±																				
3 PLACES	±																				
2 PLACES	±																				
1 PLACE	±																				
0 PLACES	±																				
DRAFT WHERE APPLICABLE MUST REMAIN WITHIN DIMENSIONS		<table border="1"> <tr> <td>EC NO:</td> <td>675538</td> </tr> <tr> <td>DRWN:</td> <td>KHEWITT 2021/08/19</td> </tr> <tr> <td>CHK'D:</td> <td>VBALASUBRAMA 2021/08/23</td> </tr> <tr> <td>APPR:</td> <td>JDUNAJ 2021/08/26</td> </tr> <tr> <td>INITIAL REVISION:</td> <td></td> </tr> <tr> <td>DRWN:</td> <td>ECOLARUSSO 2018/11/05</td> </tr> <tr> <td>APPR:</td> <td>JDUNAJ 2018/12/20</td> </tr> </table>		EC NO:	675538	DRWN:	KHEWITT 2021/08/19	CHK'D:	VBALASUBRAMA 2021/08/23	APPR:	JDUNAJ 2021/08/26	INITIAL REVISION:		DRWN:	ECOLARUSSO 2018/11/05	APPR:	JDUNAJ 2018/12/20				
EC NO:	675538																				
DRWN:	KHEWITT 2021/08/19																				
CHK'D:	VBALASUBRAMA 2021/08/23																				
APPR:	JDUNAJ 2021/08/26																				
INITIAL REVISION:																					
DRWN:	ECOLARUSSO 2018/11/05																				
APPR:	JDUNAJ 2018/12/20																				
THIRD ANGLE PROJECTION		<table border="1"> <tr> <td>DRAWING</td> <td>SERIES</td> <td>MATERIAL NUMBER</td> <td>CUSTOMER</td> <td>SHEET NUMBER</td> </tr> <tr> <td>D-SIZE</td> <td>208033</td> <td>SEE TABLE</td> <td>GENERAL MARKET</td> <td>1 OF 2</td> </tr> </table>		DRAWING	SERIES	MATERIAL NUMBER	CUSTOMER	SHEET NUMBER	D-SIZE	208033	SEE TABLE	GENERAL MARKET	1 OF 2								
DRAWING	SERIES	MATERIAL NUMBER	CUSTOMER	SHEET NUMBER																	
D-SIZE	208033	SEE TABLE	GENERAL MARKET	1 OF 2																	
<table border="1"> <tr> <td>DOCUMENT STATUS</td> <td>P1</td> <td>RELEASE DATE</td> <td>2021/08/26 20:00:55</td> </tr> </table>		DOCUMENT STATUS	P1	RELEASE DATE	2021/08/26 20:00:55	<table border="1"> <tr> <td>DOCUMENT NUMBER</td> <td>DOC TYPE</td> <td>DOC PART</td> <td>REVISION</td> </tr> <tr> <td>2080330003</td> <td>PSD</td> <td>000</td> <td>B4</td> </tr> </table>		DOCUMENT NUMBER	DOC TYPE	DOC PART	REVISION	2080330003	PSD	000	B4						
DOCUMENT STATUS	P1	RELEASE DATE	2021/08/26 20:00:55																		
DOCUMENT NUMBER	DOC TYPE	DOC PART	REVISION																		
2080330003	PSD	000	B4																		

6CKT KEY A (2080333061) SHOWN EXCEPT WHERE NOTED

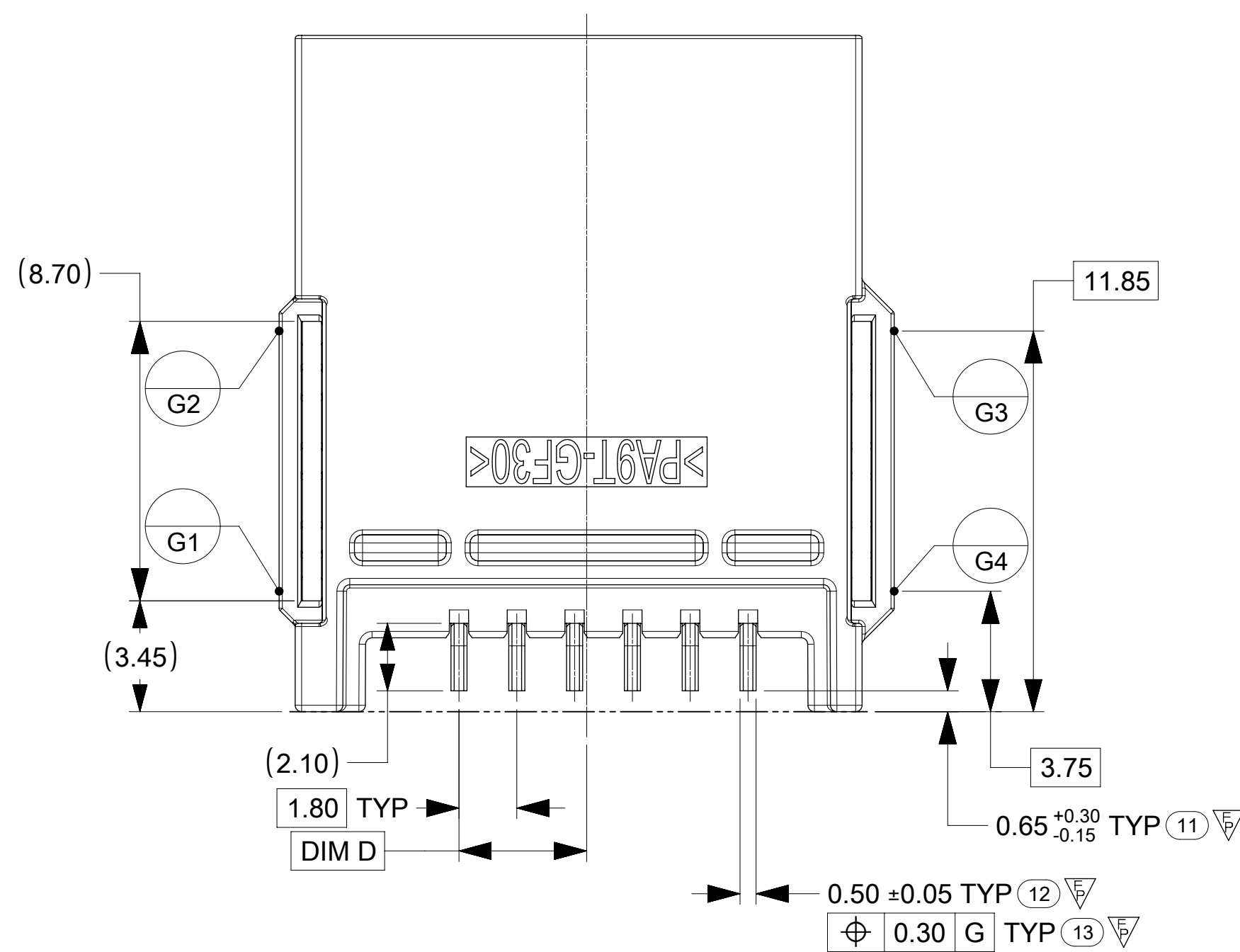
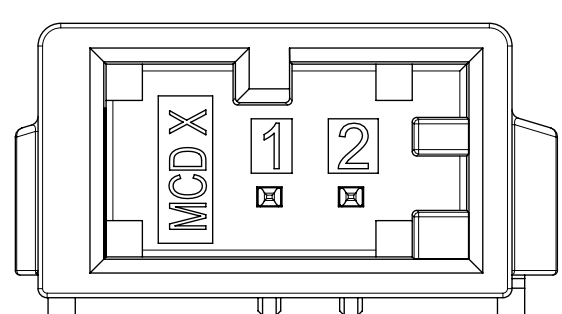
1.5 REFER TO 2046310001 FOR INTERFACE DIMENSIONS



0.10 TO ALL CONTACT SURFACES

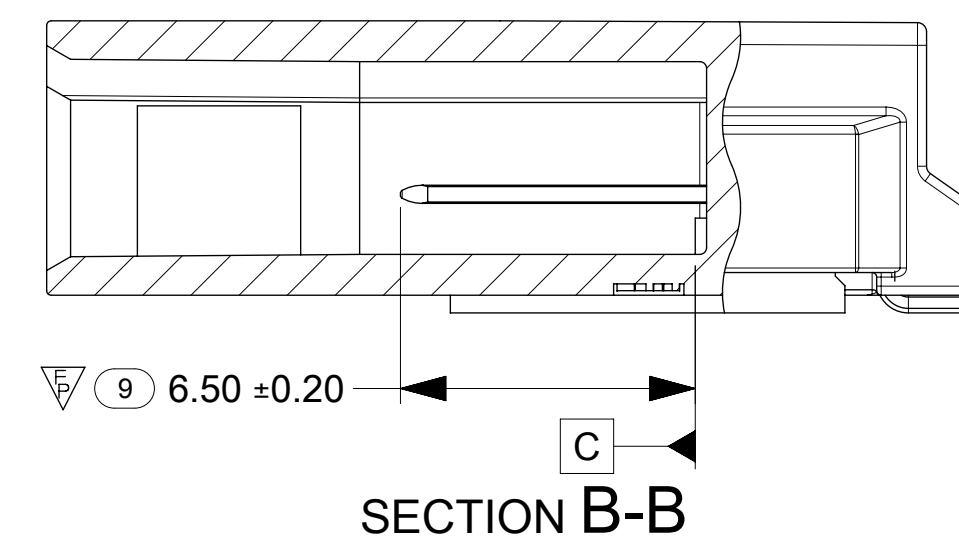
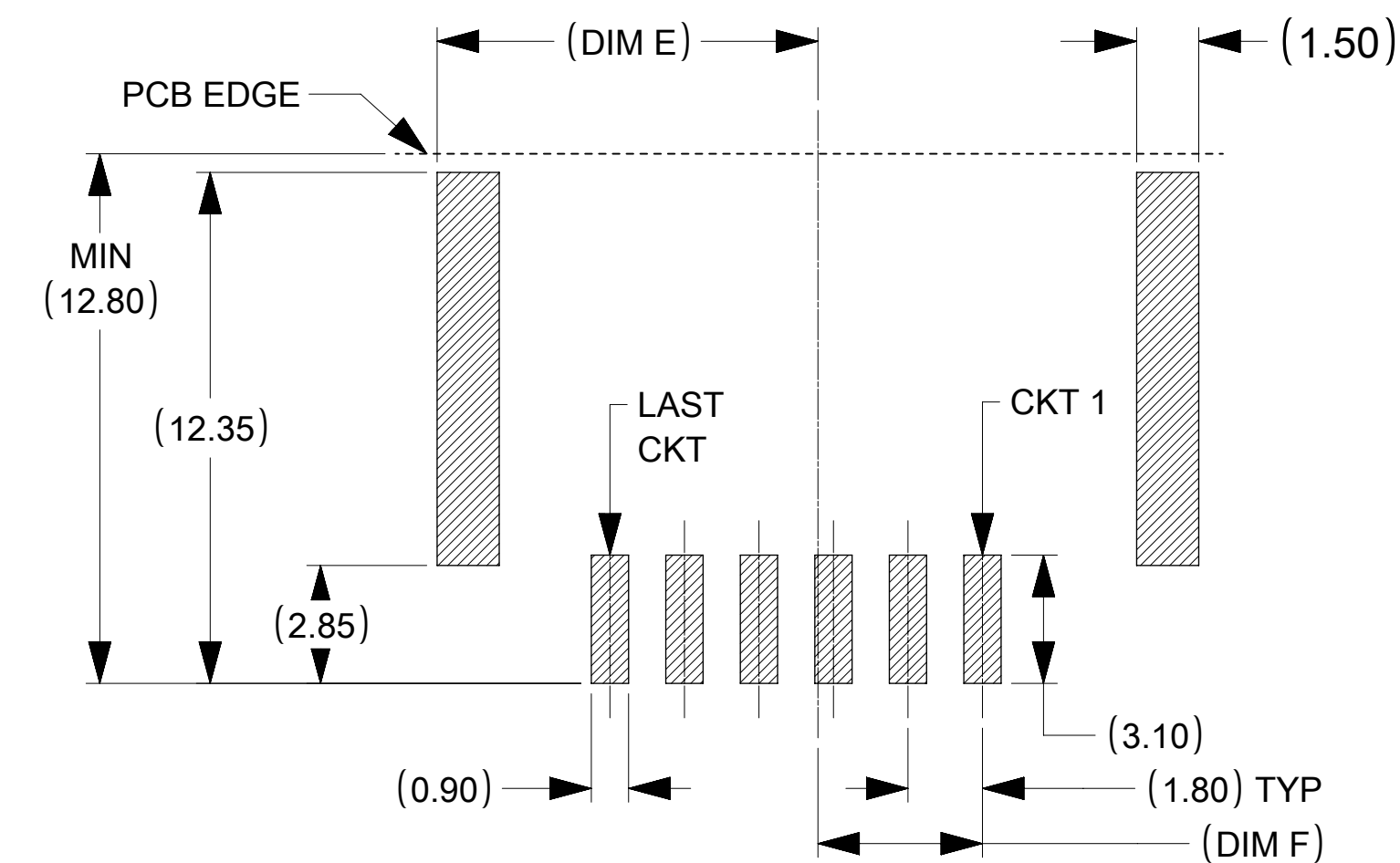


2CKT SHOWN FOR REFERENCE

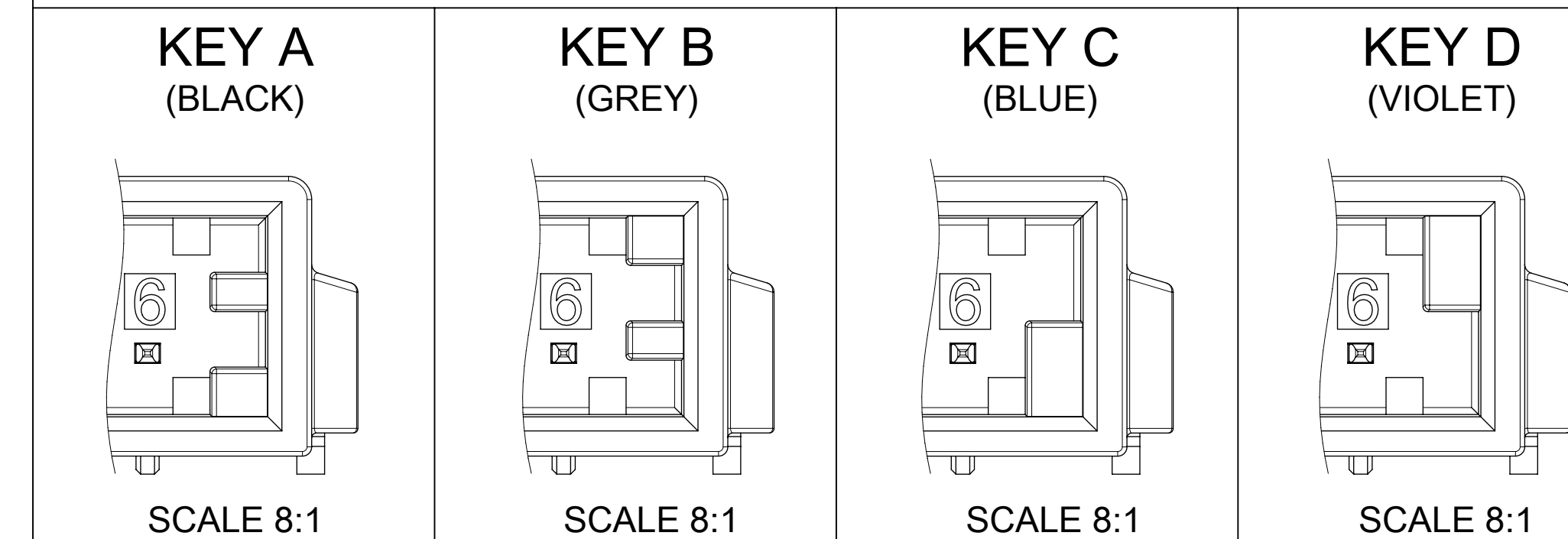


POSSIBLE PCB LAYOUT

LAND PATTERN SHOWN AT MMC



KEYING OPTIONS



THIS DRAWING CONTAINS INFORMATION THAT IS PROPRIETARY TO MOLEX ELECTRONIC TECHNOLOGIES, LLC AND SHOULD NOT BE USED WITHOUT WRITTEN PERMISSION											
DIMENSION UNITS		SCALE		CURRENT REV DESC:							
mm		6:1									
GENERAL TOLERANCES (UNLESS SPECIFIED)											
ANGULAR TOL ± °											
4 PLACES ±											
3 PLACES ±											
2 PLACES ±											
1 PLACE ±											
0 PLACES ±											
DRAFT WHERE APPLICABLE MUST REMAIN WITHIN DIMENSIONS				THIRD ANGLE PROJECTION		DRAWING		SERIES		MATERIAL NUMBER	
				D-SIZE		208033		208033		CUSTOMER	
								GENERAL MARKET		SHEET NUMBER	
								2 OF 2			

molex

CONNTAK50 SR R/A SMT SALES DRAWING (SINGLE ROW RIGHT ANGLE SMT HEADER)

PRODUCT CUSTOMER DRAWING

DOCUMENT NUMBER	DOC TYPE	DOC PART	REVISION
2080330003	PSD	000	B4