

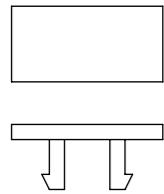
**TABLE 1**

MOLEX P/N	ENG. NO.	CABLE LENGTH (mm)	LED
1202470020	BEB403P-FBW-05	5000	YES
1202470021	BEB403P-FBW-10	10000	YES
1202470022	BEB403P-FBW-15	15000	YES
1202470023	BEB403P-FBW-20	20000	YES
1202470043	BEB4030-FBW-05	5000	NO
1202470044	BEB4030-FBW-10	10000	NO
1202470045	BEB4030-FBW-15	15000	NO

**TABLE 2**

ITEM	COMPONENT	MATERIAL	FINISH
1	INSERT	TPU	BLACK
2	CONTACT SOCKET	COPPER ALLOY	GOLD OVER NICKEL
3	O-RING	VITON	RED
4	RECEPTACLE SHELL	BRASS	NICKEL PLATED
5	HOUSING	PBT	BLACK
6	CABLE	TPU	BLACK
7	LABEL	ABS	WHITE
8	LABEL ADHESIVE	PE	WHITE
9	CABLE PLATE	PBT	BLACK
10	LED	NO LED = PA WITH LED = PA	BLACK TRANSPARENT
11	RESIN	EPOXY	TRANSPARENT

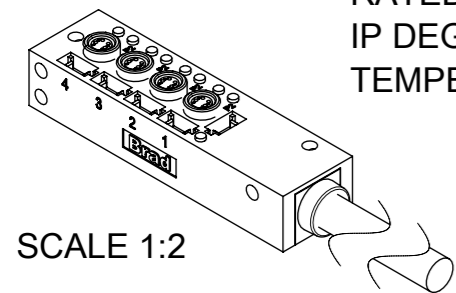
SCALE 2:1



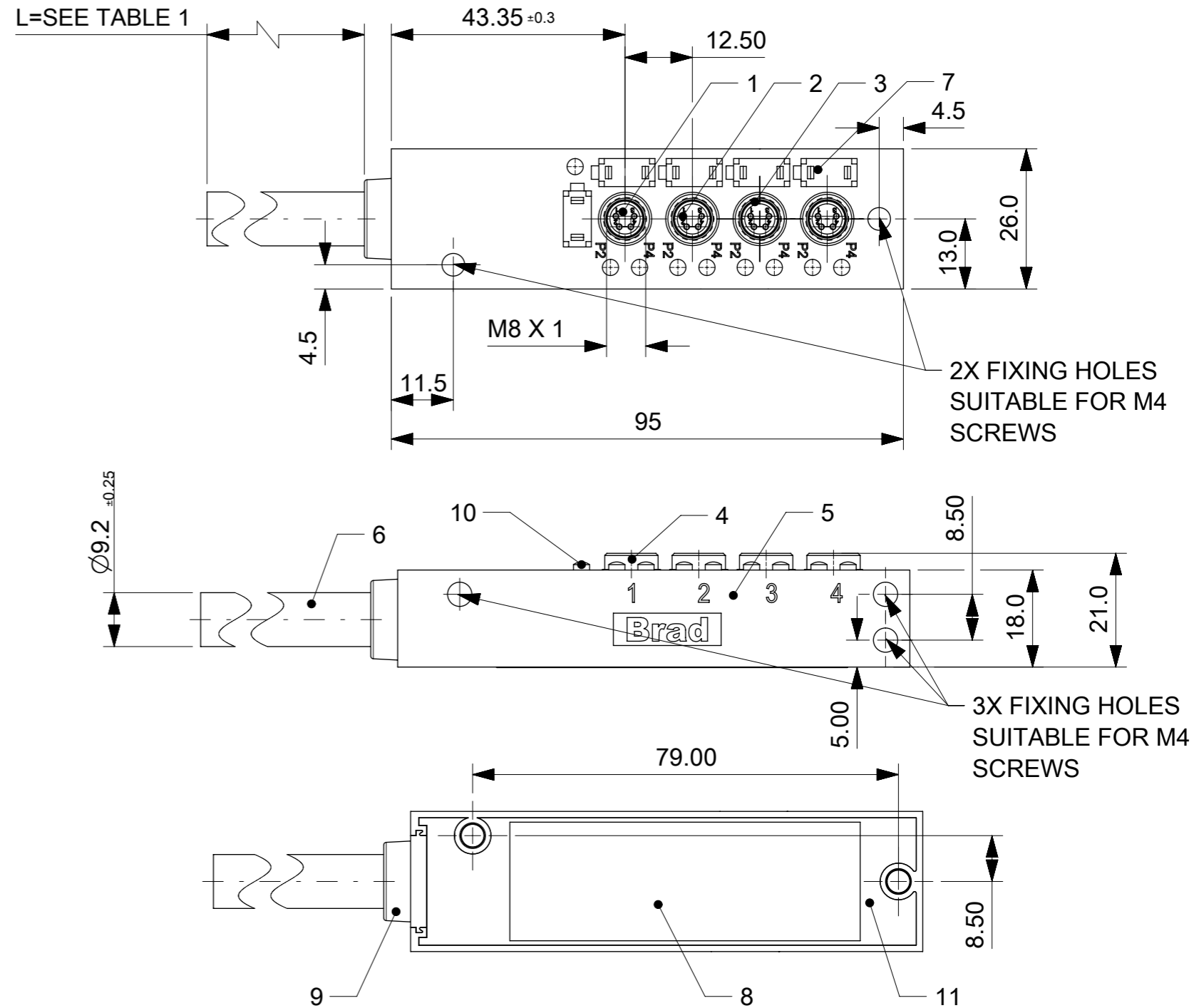
LABEL  
5x packed in a bag.

**GENERAL CHARACTERISTICS:**

NOMINAL VOLTAGE: 24 V DC  
 RATED CURRENT: 2 A PER PORT / 6 A MAX: TOTAL  
 IP DEGREE OF PROTECTION: IP 68  
 TEMPERATURE RANGE: -25°C to + 85°C



SCALE 1:2

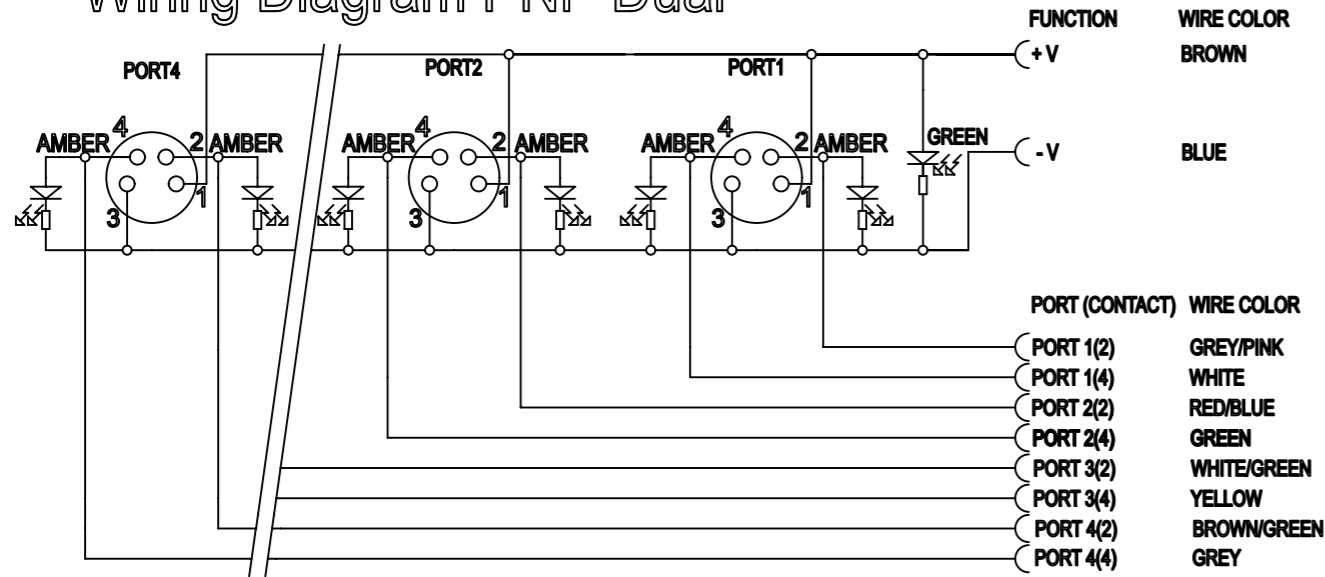


**CABLE LENGTH TOLERANCES**

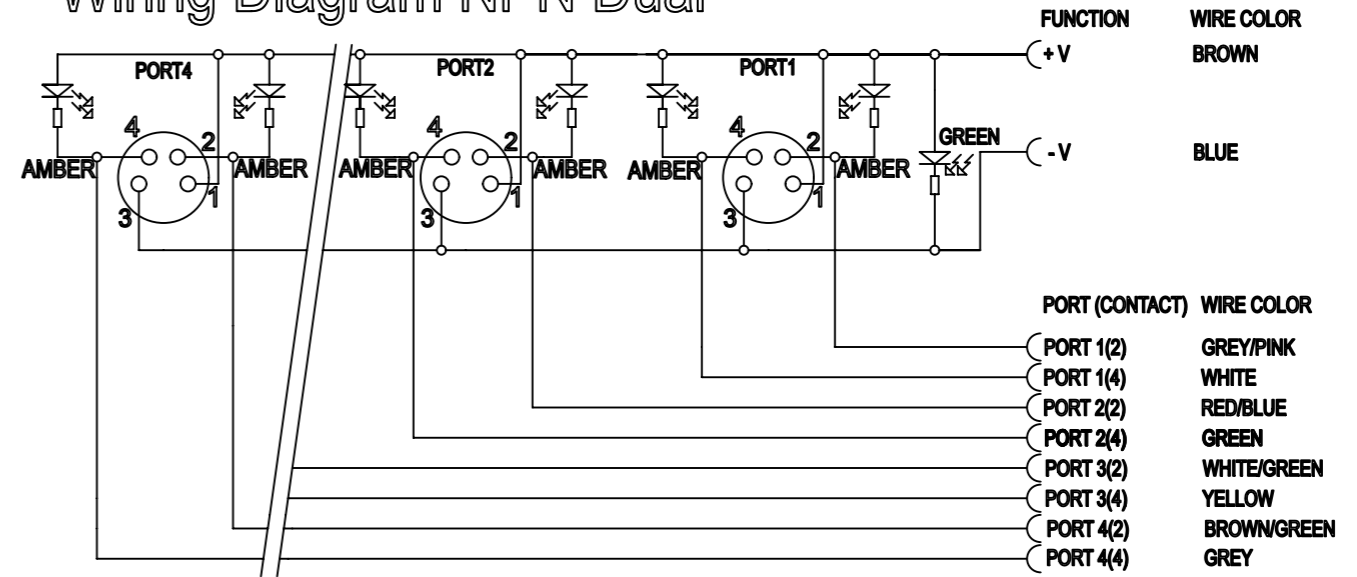
LENGTH	TOLERANCE
0m-1m	+40 mm
>1m-5m	+60 mm
>5m-10m	+80 mm
>10m-20m	+140 mm
>20m-30m	+160 mm
>30m	+1% length

FUNCTIONAL SYMBOLS	THIS DRAWING CONTAINS INFORMATION THAT IS PROPRIETARY TO MOLEX ELECTRONIC TECHNOLOGIES, LLC AND SHOULD NOT BE USED WITHOUT WRITTEN PERMISSION	
△/A = 0	DIMENSION UNITS	SCALE
△/E = 0	mm	1:1
△/P = 0	CURRENT REV DESC: ADDED CABLE TOLERANCE TABLE	
DIVISIONAL SYMBOLS	GENERAL TOLERANCES (UNLESS SPECIFIED)	
	ANGULAR TOL	± °
	4 PLACES	±
	3 PLACES	±
	2 PLACES	± 0.2
	1 PLACE	± 0.3
	0 PLACES	± 0.5
	DRAFT WHERE APPLICABLE MUST REMAIN WITHIN DIMENSIONS	
	THIRD ANGLE PROJECTION	DRAWING
		A3-SIZE
	SERIES	120247
	MATERIAL NUMBER	SEE TABLE 1
	CUSTOMER	GENERAL MARKET
	SHEET NUMBER	1 OF 2
	EC NO: 699789	2022/03/11
	DRWN: MDHARMANTI	2022/03/17
	CHK'D: RSILLER	2022/03/17
	APPR: RSILLER	2022/03/17
	INITIAL REVISION:	
	DRWN: ULETTENMEIER	2015/01/20
	APPR: RSILLER	2015/04/22
	DOCUMENT NUMBER	1202470020
	DOC TYPE	PSD
	DOC PART	000
	REVISION	B1
	molex	
	MPIS M8 PNP NPN NOS 4P 4PT BK XM DUAL	
	PRODUCT CUSTOMER DRAWING	

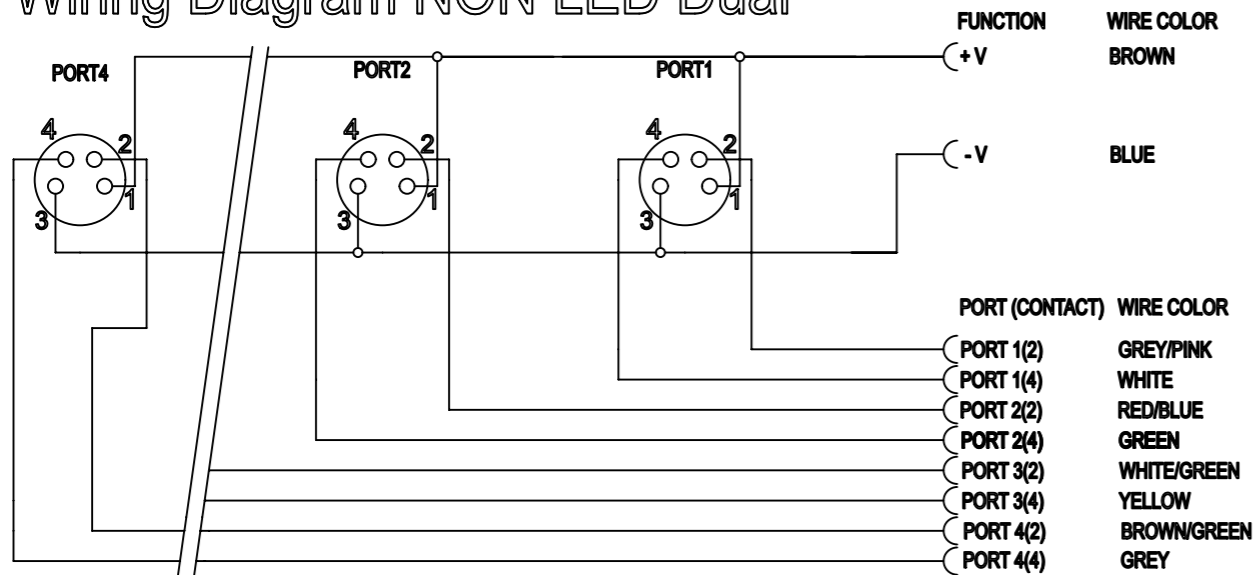
# Wiring Diagram PNP Dual



# Wiring Diagram NPN Dual



# Wiring Diagram NON LED Dual



FUNCTIONAL SYMBOLS	THIS DRAWING CONTAINS INFORMATION THAT IS PROPRIETARY TO MOLEX ELECTRONIC TECHNOLOGIES, LLC AND SHOULD NOT BE USED WITHOUT WRITTEN PERMISSION						
	$\nabla_A = 0$ $\nabla_E = 0$ $\nabla_V = 0$	DIMENSION UNITS: <b>mm</b> SCALE: <b>1:1</b>				CURRENT REV DESC: ADDED CABLE TOLERANCE TABLE EC NO: 699789 DRWN: MDHARMANTI 2022/03/11 CHK'D: RSILLER 2022/03/17 APPR: RSILLER 2022/03/17	MPIS M8 PNP NPN NOS 4P 4PT BK XM DUAL
DIVISIONAL SYMBOLS	GENERAL TOLERANCES (UNLESS SPECIFIED)		PRODUCT CUSTOMER DRAWING				
	ANGULAR TOL ± °		DOCUMENT NUMBER				
	4 PLACES ±		1202470020				
	3 PLACES ±		DOC TYPE DOC PART REVISION				
2 PLACES ± 0.2		PSD 000 B1					
1 PLACE ± 0.3		INITIAL REVISION:					
0 PLACES ± 0.5		DRWN: ULETTENMEIER 2015/01/20					
DRAFT WHERE APPLICABLE MUST REMAIN WITHIN DIMENSIONS		THIRD ANGLE PROJECTION	DRAWING	SERIES	MATERIAL NUMBER	CUSTOMER	SHEET NUMBER
			A3-SIZE	120247	SEE TABLE 1	GENERAL MARKET	2 OF 2