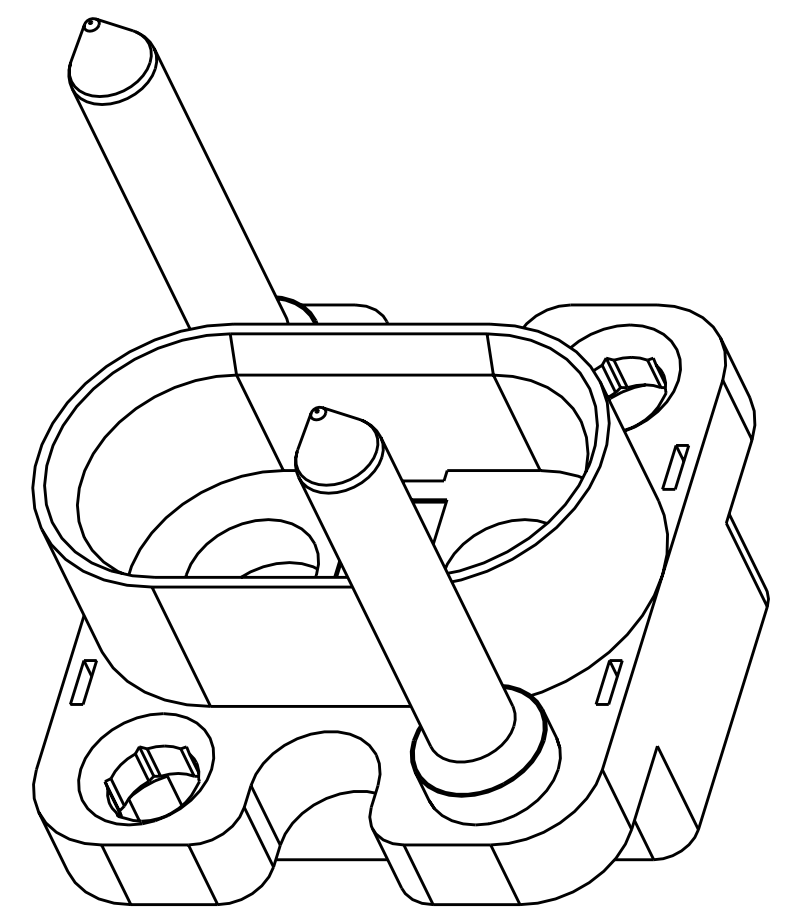
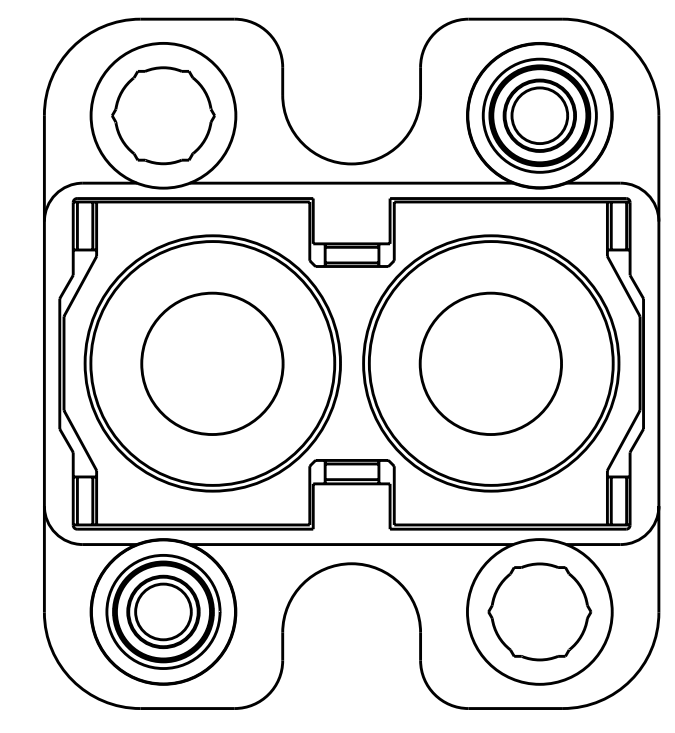
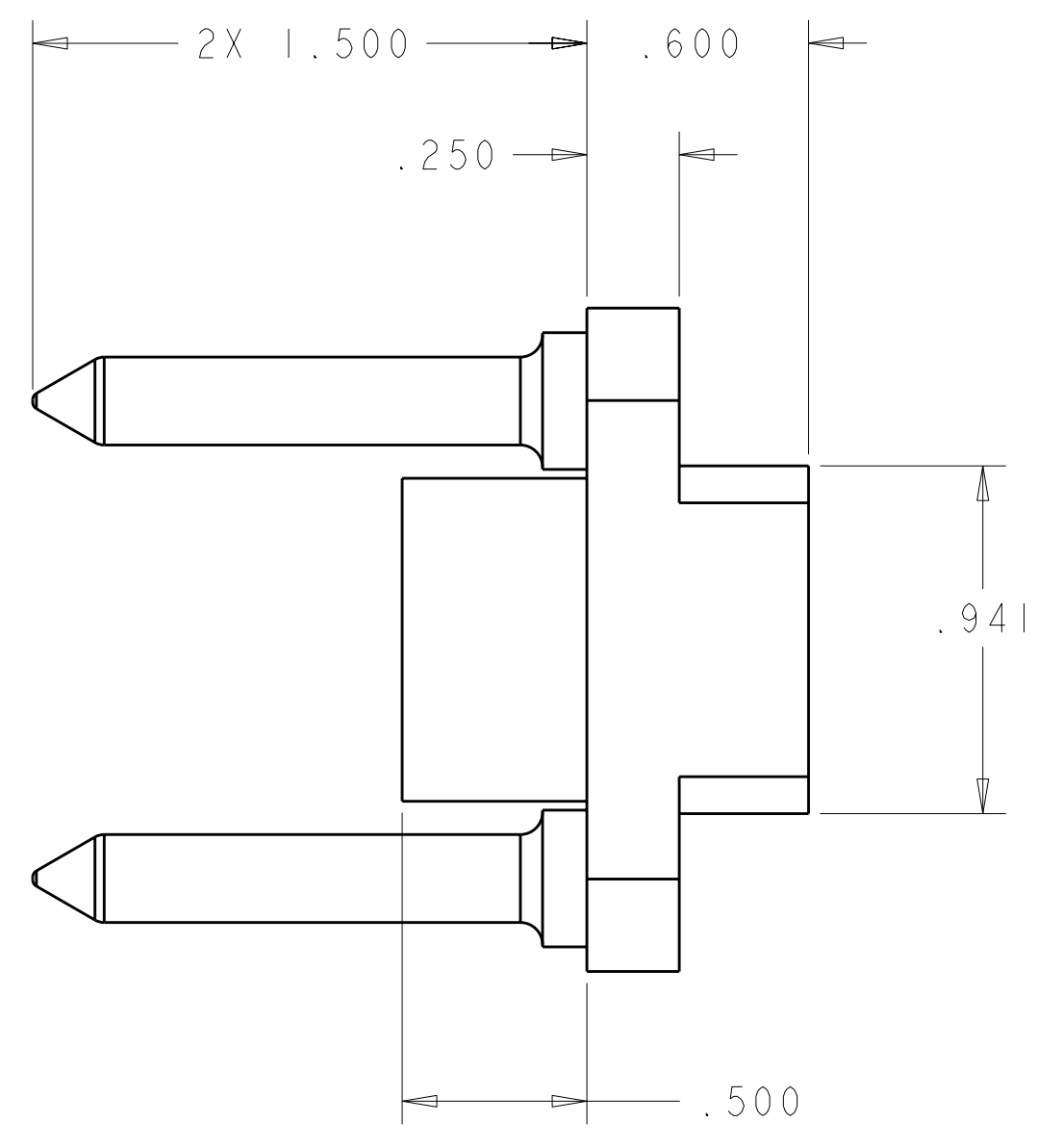
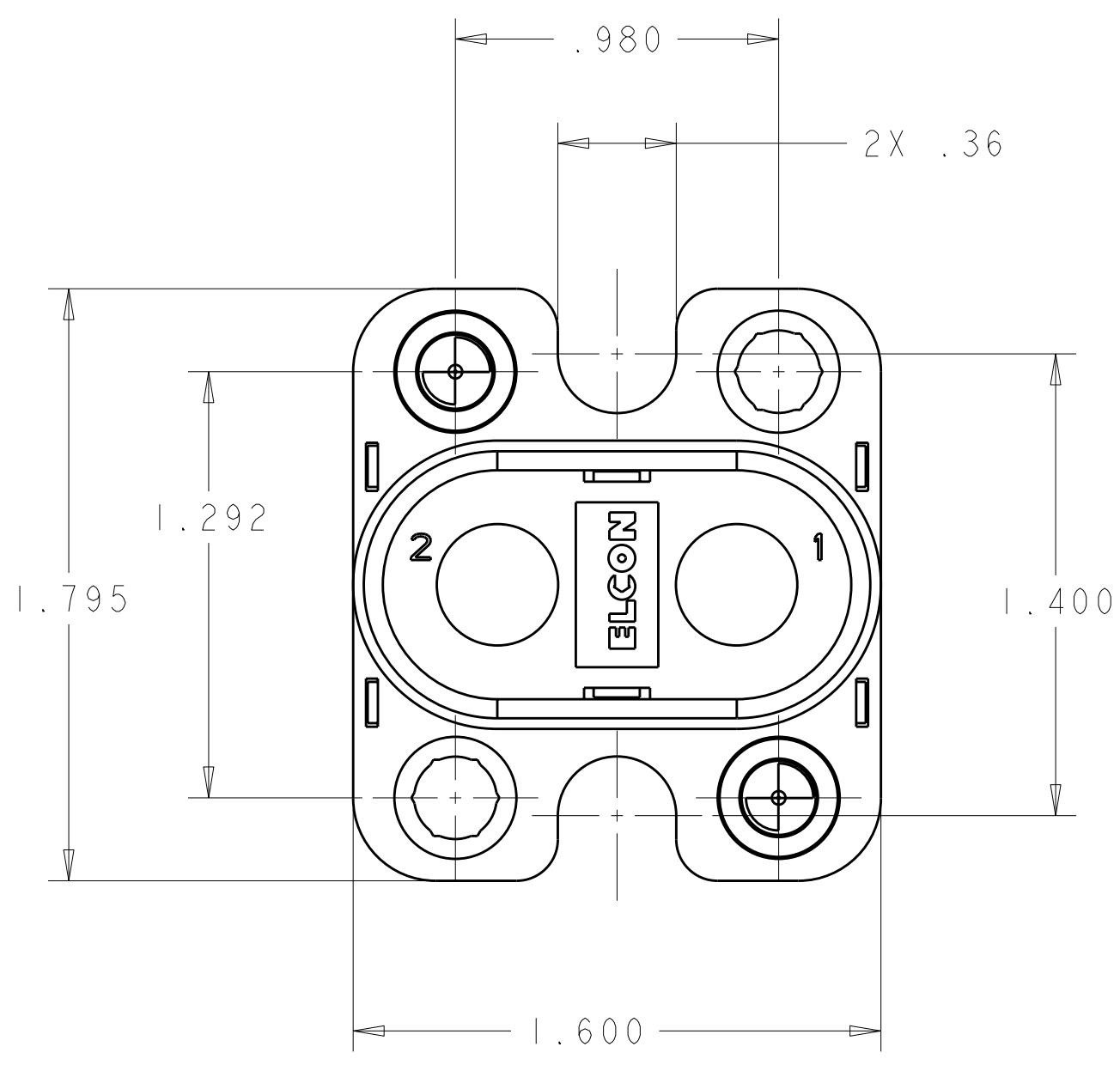


THIS DRAWING IS UNPUBLISHED. RELEASED FOR PUBLICATION 20
 © COPYRIGHT 20 BY TYCO ELECTRONICS CORPORATION. ALL RIGHTS RESERVED.

LOC	DIST	REVISIONS					
GP	00	P	LTR	DESCRIPTION	DATE	DWN	APVD
			A	RELEASED	21MAY2009	RG	DO



SCALE 2:1

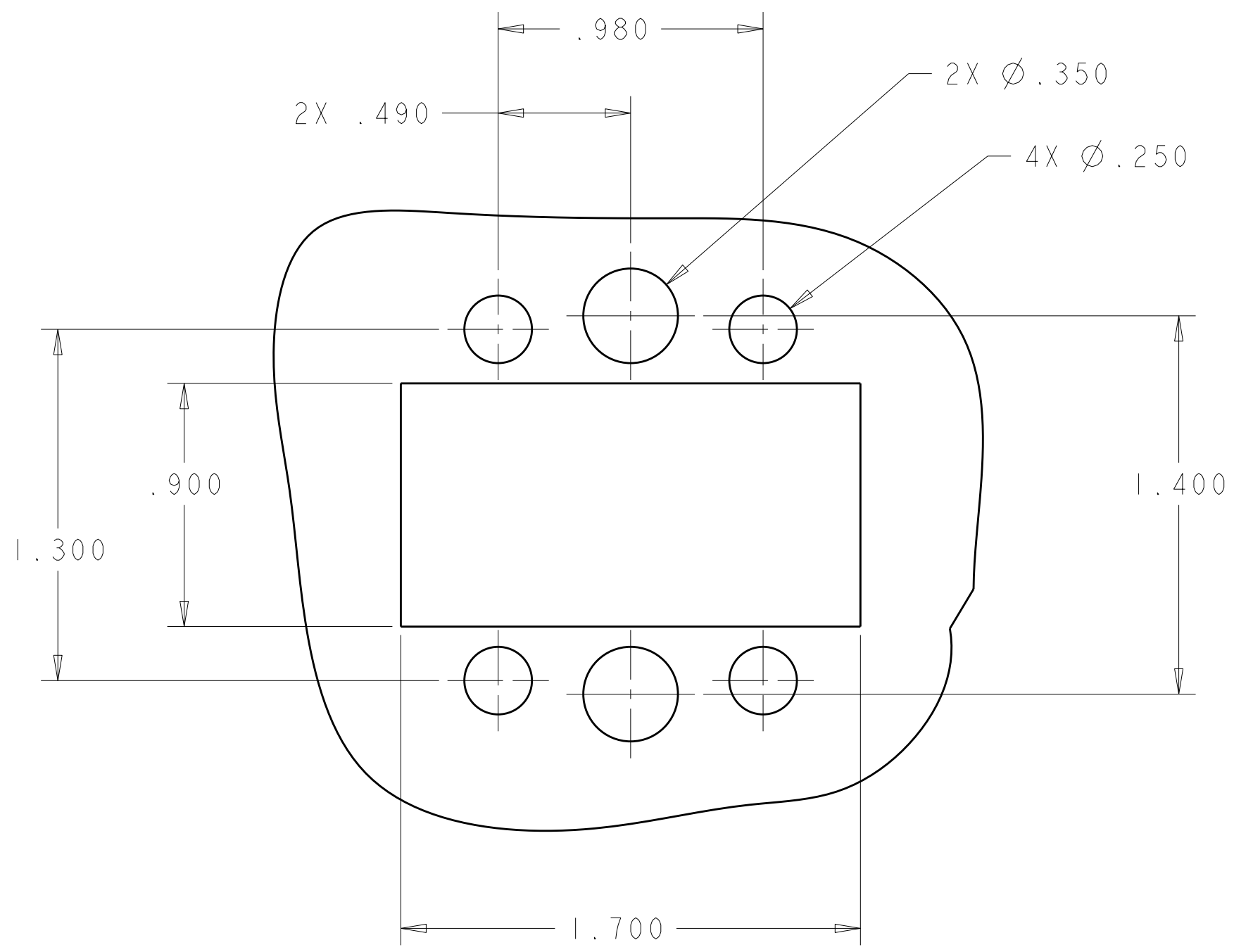
AS SHOWN	1648562-1
DESCRIPTION	PART NO.

THIS DRAWING IS A CONTROLLED DOCUMENT FOR TYCO ELECTRONICS CORPORATION. IT IS SUBJECT TO CHANGE AND THE CONTROLLING ENGINEERING ORGANIZATION SHOULD BE CONTACTED FOR THE LATEST REVISION.		DWN R. GRZYBOWSKI 21MAY2009	Tyco Electronics Harrisburg, PA 17105-3608	
DIMENSIONS: INCHES		CHK D. ORRIS 21MAY2009	NAME PIN HOUSING ASSEMBLY W/ 6-32 INT. THD. GUIDE PINS DUALPOWER	
TOLERANCES UNLESS OTHERWISE SPECIFIED: 0 PLC ± 1 PLC ±.02 2 PLC ±.02 3 PLC ±.010 4 PLC ± ANGLES ± FINISH		APVD M. PERCHERKE 21MAY2009	PRODUCT SPEC 108-2285	RESTRICTED TO
MATERIAL		APPLICATION SPEC 114-13206	SIZE A200779	CAGE CODE C-1648562
		WEIGHT -	DRAWING NO. 1648562	
		CUSTOMER DRAWING	SCALE 2:1	SHEET 1 OF 2 REV A

ELCON **DUALPOWER**

THIS DRAWING IS UNPUBLISHED. RELEASED FOR PUBLICATION 20
 © COPYRIGHT 20 BY TYCO ELECTRONICS CORPORATION. ALL RIGHTS RESERVED.

LOC	DIST	REVISIONS					
GP	00	P	LTR	DESCRIPTION	DATE	DWN	APVD
		-		SEE SHEET 1			



1. PART NUMBER CHANGES AND/OR DESIGN CHANGES AFFECTING THE INTERCHANGEABILITY REQUIRES PRIOR TYCO ELECTRONICS APPROVAL AND AUTHORIZATION BY REVISION TO THIS DRAWING.

2. MATERIAL: INSULATOR: THERMOPLASTIC, GLASS REINFORCED, FLAMMABILITY RATED, COLOR: BLACK
 GUIDE PIN: STAINLESS STEEL
 LOCKING COLLAR: STAINLESS STEEL

3. ITEMS PROVIDED TO THIS SPECIFICATION TO BE PERMANENTLY IDENTIFIED PER THE FOLLOWING IDENTIFIER:
 YEAR WEEK
 TYCO ELECTRONICS P/N XXXXXXXX-X DATE CODE (i.e. 0216) XXXX

4. INDICATES POSITION OF GUIDE PINS

ELCON **DUALPOWER**

<small>THIS DRAWING IS A CONTROLLED DOCUMENT FOR TYCO ELECTRONICS CORPORATION. IT IS SUBJECT TO CHANGE AND THE CONTROLLING ENGINEERING ORGANIZATION SHOULD BE CONTACTED FOR THE LATEST REVISION.</small>		DWN <u>R. GRZYBOWSKI</u> 21MAY2009 CHK <u>D. ORRIS</u> 21MAY2009 APVD <u>M. PERCHERKE</u> 21MAY2009	Tyco Electronics Tyco Electronics Harrisburg, PA 17105-3608
DIMENSIONS: INCHES 	TOLERANCES UNLESS OTHERWISE SPECIFIED: 0 PLC ± 1 PLC ± 2 PLC ±.02 3 PLC ±.010 4 PLC ± ANGLES ± FINISH ±	PRODUCT SPEC <u>108-2285</u> APPLICATION SPEC <u>114-13206</u> WEIGHT -	NAME PIN HOUSING ASSEMBLY W/ 6-32 INT. THD. GUIDE PINS DUALPOWER SIZE <u>A2</u> CAGE CODE <u>00779</u> DRAWING NO. <u>C-1648562</u> RESTRICTED TO -
MATERIAL -		CUSTOMER DRAWING	SCALE <u>2:1</u> SHEET <u>2</u> OF <u>2</u> REV <u>A</u>