

RoHS COMPLIANT BY EXEMPTION

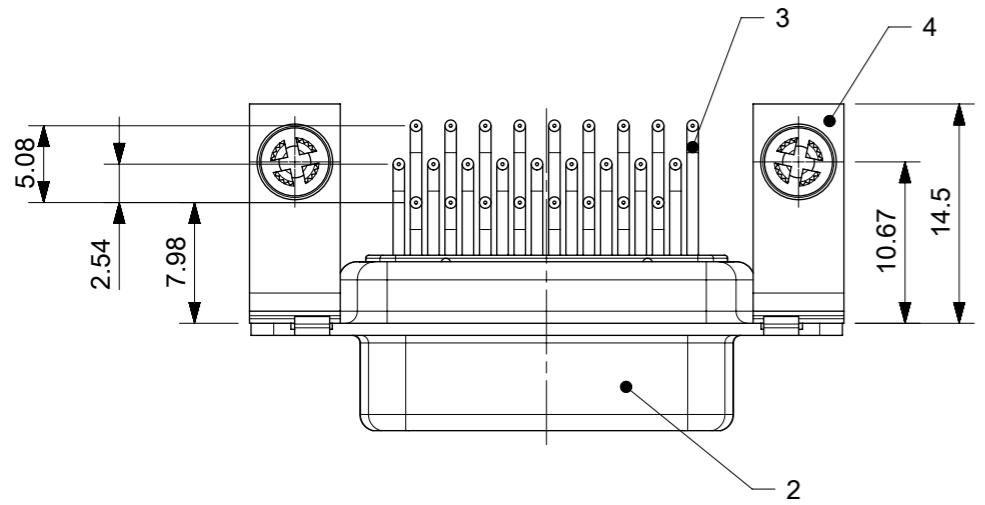


TABLE FOR PART NUMBERS

MOLEX PART#	FCT PART#	X-X	A[mm]	B[mm]	C[mm]	E*[mm]	F*[mm]	NO. OF CONTACTS 1./2./3. ROW	FORMERLY PART NO
1731130156	F09-15S135G0-5979	09-15	30.8	16.4	25	Ø1	Ø3	5/5/5	
1731130157	F15-26S135G0-5979	15-26	39.1	24.7	33.3			9/9/8	CT15-26S135-5805
1731130158	F25-44S135G0-5979	25-44	53	38.5	47.04			15/15/14	CT25-44S135-5805

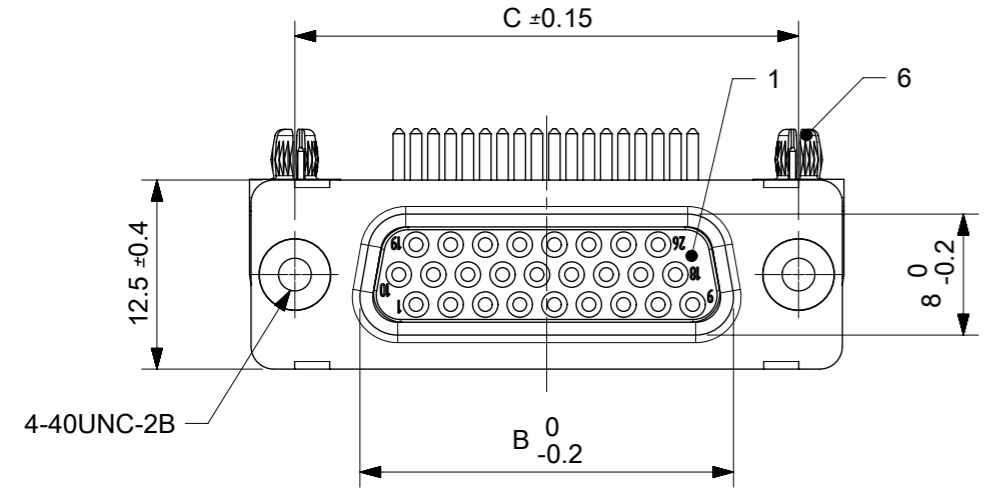
\*PCB HOLE PATTERNS, ØE, ØF, ON SUPPLEMENT 1731131003

TABLE FOR GENERAL TOLERANCES

PERMISSIBLE DEVIATIONS FOR BASIC SIZE RANGE				
0.5 UPTO	OVER 3 UPTO	OVER 6 UPTO	OVER 30 UPTO	OVER 120 UPTO
3	6	30	120	400
±0.1	±0.1	±0.2	±0.3	±0.5

X-X NO. OF CONTACTS 09-15, 15-26, 25-44

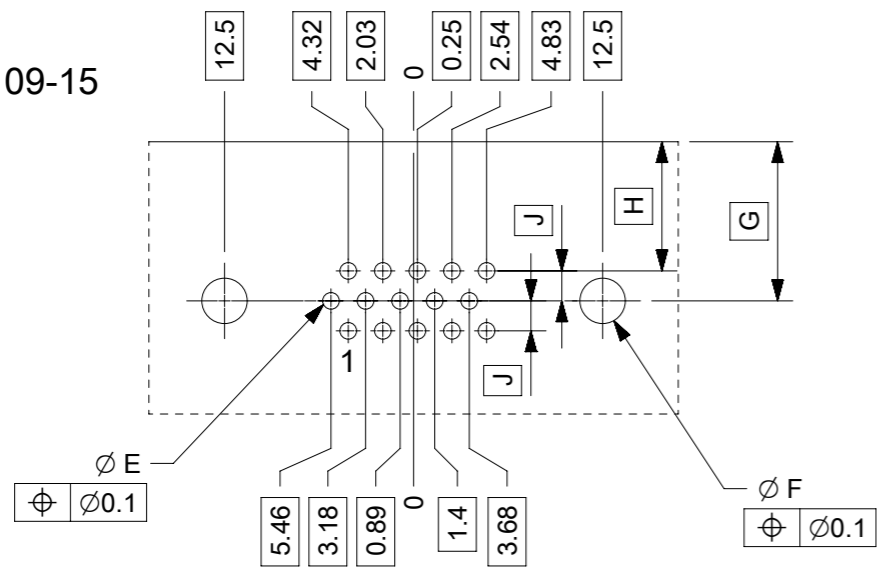
NO.	St.	PART	TYPE DESCRIPTION/MATERIAL	SURFACE PLATING/COLOUR/CLASS
6	2	SNAP-IN RIVET	PCB 1.6mm / BRASS	TIN PLATED
5	2	CLINCH NUT	4-40 / STEEL	TIN PLATED
4	2	BRACKET	F1080-29 / STEEL	TIN PLATED
3	X-X	SIGNAL CONTACT, MACHINED	HS135 / BRASS	0.8µm Au
2	1	SHELL	STEEL	TIN PLATED
1	1	INSULATOR	THERMOPLASTIC, GF	BLACK



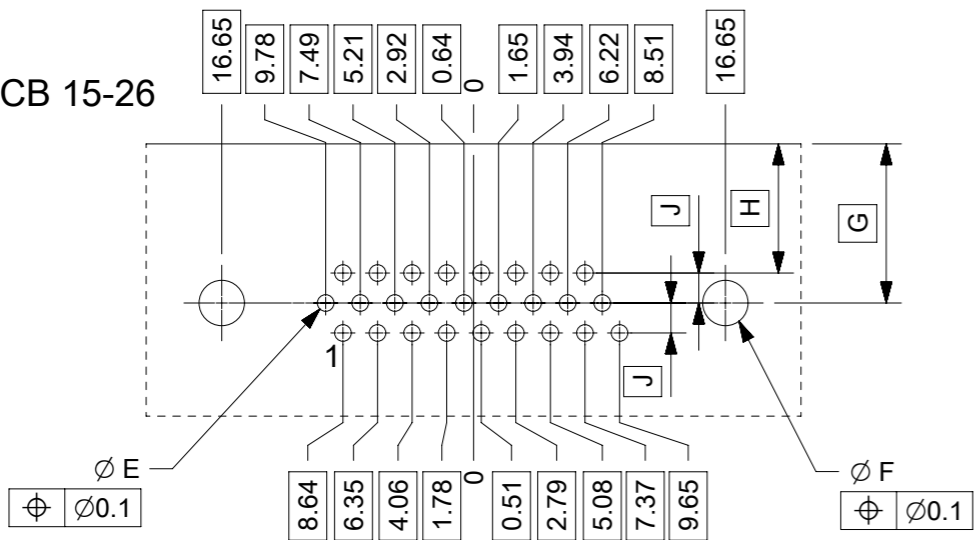
THIS DRAWING CONTAINS INFORMATION THAT IS PROPRIETARY TO MOLEX ELECTRONIC TECHNOLOGIES, LLC AND SHOULD NOT BE USED WITHOUT WRITTEN PERMISSION

<b>QUALITY SYMBOLS</b> ▽ = 0 ▽ = 0 ▽ = 0 ▽ = 0 ▽ = 0 ▽ = 0 ▽ = 0 ▽ = 0 ▽ = 0	<b>DRAWING UPDATED</b> EC NO: 121239 DRWN: ISHWARG CHK'D: KPRASAD APPR: KPRASAD	2017/08/30 2017/08/30	GENERAL TOLERANCES (UNLESS SPECIFIED)		DIMENSION UNITS	SCALE			
			ANGULAR TOL ± °		mm	2:1			
			4 PLACES ±	DRWN BY	RLALSANGI	DATE		2017/04/14	
			3 PLACES ±	CHK'D BY	ISHWARG	DATE		2017/06/07	
2 PLACES ±	APPR BY	ISHWARG	DATE	2017/06/07					
1 PLACE ±	DRAFT WHERE APPLICABLE MUST REMAIN WITHIN DIMENSIONS		DRAWING SIZE	THIRD ANGLE PROJECTION		PRODUCT CUSTOMER DRAWING			
0 PLACES ±	A1		A3			SERIES	MATERIAL NUMBER	CUSTOMER	
					173113		SEE TABLE	GENERAL MARKET	
					1731130156		DOC TYPE	DOC PART	SHEET NUMBER
					PSD		000	1 OF 1	

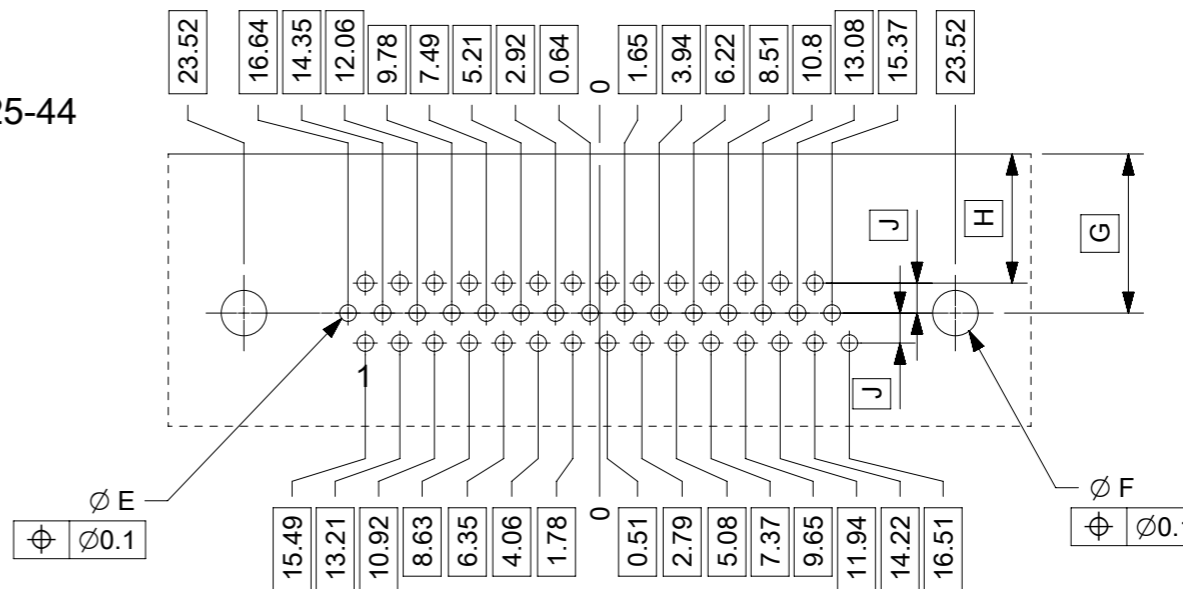
PCB 09-15



PCB 15-26



PCB 25-44



VIEW ON MOUNTING SIDE  
 ØE, ØF, G, H, J SEE DATA SHEET INCL. CONNECTOR  
 ØF, G CONNECTORS WITH ACCESSORIES ONLY

THIS DRAWING CONTAINS INFORMATION THAT IS PROPRIETARY TO MOLEX ELECTRONIC TECHNOLOGIES, LLC AND SHOULD NOT BE USED WITHOUT WRITTEN PERMISSION											
EC NO: 117803 DRWN: RLALSANGI CHK'D: ISHWARG APPR: ISHWARG	2017/05/12	GENERAL TOLERANCES (UNLESS SPECIFIED)		DIMENSION UNITS	SCALE						
	2017/06/07	ANGULAR TOL ± °		MM	2:1						
	2017/06/07	4 PLACES ±	DRWN BY	DATE		PCB HOLE PATTERN SOCKET HIGH-DENSITY CONNECTOR RIGHT ANGLED					
		3 PLACES ±	RLALSANGI	2017/05/12							
		2 PLACES ±	CHK'D BY	DATE		PRODUCT CUSTOMER DRAWING					
		1 PLACE ±	ISHWARG	2017/06/07							
	0 PLACES ±	APPR BY	DATE		SERIES	MATERIAL NUMBER	CUSTOMER				
	DRAFT WHERE APPLICABLE MUST REMAIN WITHIN DIMENSIONS	ISHWARG	2017/06/07		173113	NOT APPLICABLE	GENERAL MARKET				
A	REV	DRAWING SIZE		THIRD ANGLE PROJECTION		DOCUMENT NUMBER		DOC TYPE	DOC PART	SHEET NUMBER	
		A3				1731131003		PSD	000	1 OF 1	