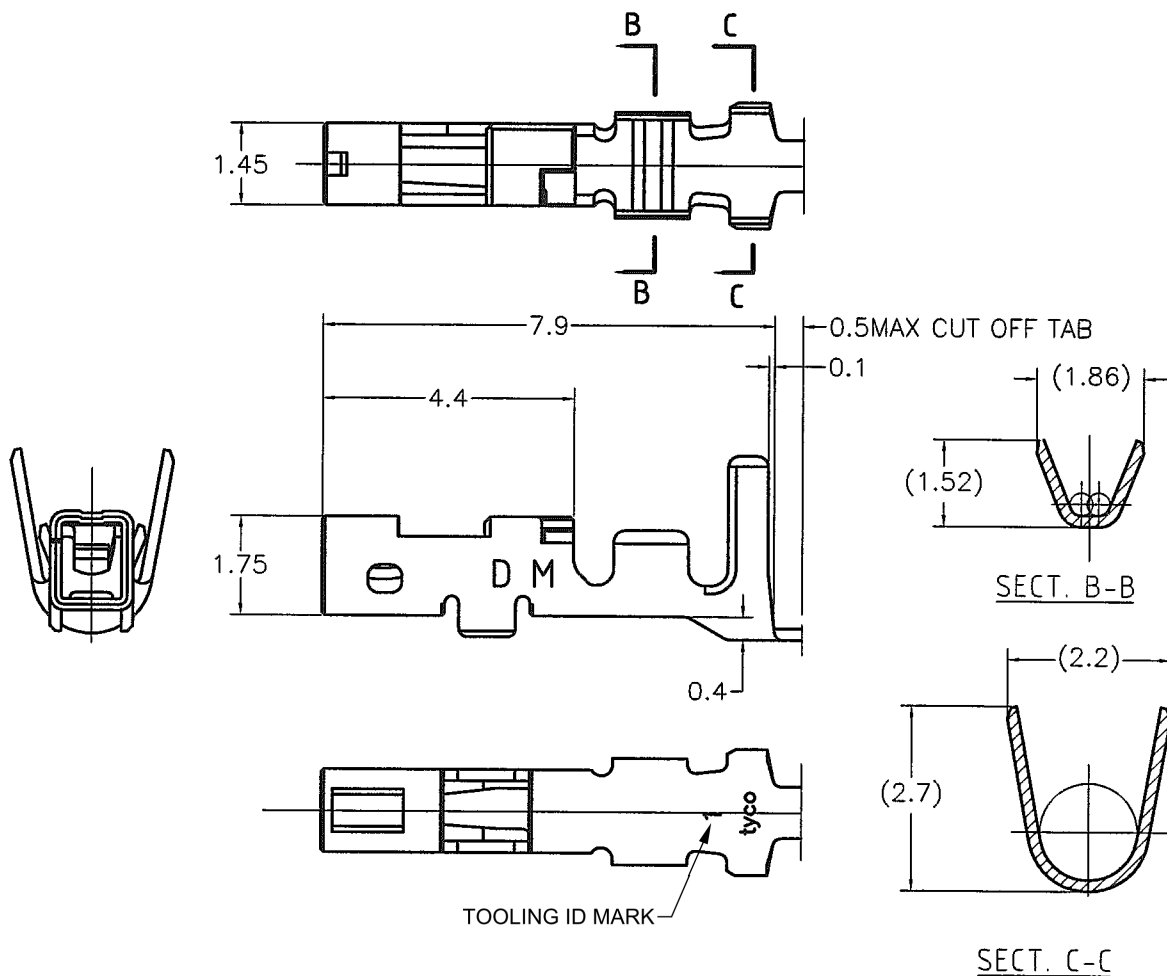



LOC	DIST	REVISIONS					
J	-	P	LTR	DESCRIPTION	DATE	DWN	APVD
		B		REVISED PER ECR-15-011723	08AUG15	Y.O	E.T



NOTE

1. GENERAL TORELANCE : $\pm 0.3, \pm 3^\circ$

1827587-2
PART NUMBER

DIMENSIONS: 単位: 毫米 mm TOLERANCES UNLESS OTHERWISE SPECIFIED: 一般公差 0 PLC $\pm -$ 1 PLC $\pm -$ 2 PLC $\pm -$ 3 PLC $\pm -$ 4 PLC $\pm -$ ANGLES $\pm -$	DWN T.KUDO 27JAN2005	MATERIAL 材料 COPPER ALLOY	FINISH OVER Ni PL : 1.27 μ m MIN 仕上 Au PL(CONTACT AREA):0.38 μ m MIN		
	CHK D.MITSUGI 27JAN2005	 TE Connectivity			
	APVD D.MITSUGI 27JAN2005				
	PRODUCT SPEC 製品規格 108-78268	NAME 名称 DYNAMIC D1000 SERIES REC CONTACT (M TYPE)(L/P)			
APPLICATION SPEC 取付適用規格 114-5377	SIZE A4	CAGE CODE 00779	DRAWING NO 番号 C-1827587	RESTRICTED TO -	
WEIGHT -	CUSTOMER DRAWING		SCALE 尺度 8:1	SHEET 1 OF 1	REV B

RELEASED FOR PUBLICATION

ALL RIGHTS RESERVED.

© COPYRIGHT

THIS DRAWING IS UNPUBLISHED.